

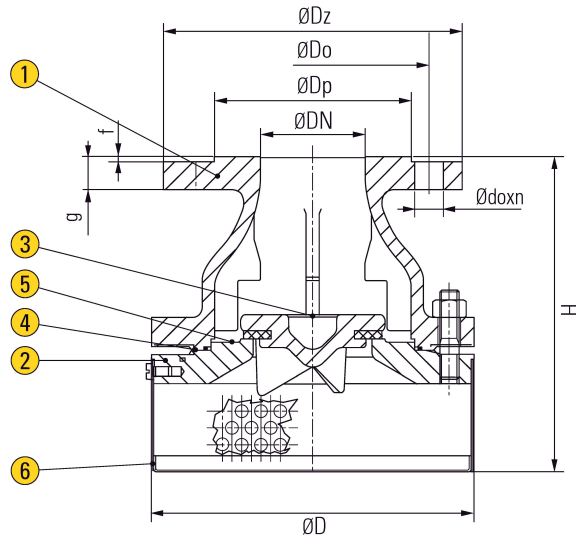
# FOOT VALVE

## CAST IRON / STAINLESS STEEL

**VARIMEX** Valves®  
CO. LTD.



**FIG 935**



### APPLICATION

Suitable for industrial cold and hot water, neutral fluids.

### SPECIFICATION

End Connection	Flanged end to DIN 2526 PN16
Pressure Rating	PN16
Working Temperature	Up to 90°C
Test Pressure (Hydrostatic)	Body - 24 Bar Seat - 17.6 Bar

### MATERIAL

Parts	Fig. 935 - Cast Iron	Fig. 935 - Stainless Steel
1 Body	EN-GJL-250	Stainless steel 1.4031 / 1.4408
2 Bonnet		
3 Disc		
4 / 5 Gasket	EPDM	PTFE
6 Screen	Stainless steel 1.4301	Stainless steel 1.4408

\* Note : Screen bottom without holes - DIN 3259

### DIMENSIONS

Unit : mm

Size (DN)	D	Dz	Dp	Do	g	f	do	n	H	Weight (Kg)
40	170	150	84	110	18	3	19	4	155	8.5
50	180	165	99	125	20	3	19	4	175	9.5
65	200	185	118	145	20	3	19	4	215	12.5
80	240	200	132	160	22	3	19	8	265	18.0
100	270	220	156	180	22	3	19	8	315	26.0
125	310	250	184	210	24	3	19	8	335	32.5
150	360	285	211	240	24	3	23	8	415	43.0
200	440	340	266	295	26	3	23	8	500	74.0
250	520	395	319	350	28	3	23	12	625	107.0
300	570	445	370	400	28	4	23	12	785	150.0

\* Note : Mesh =  $\varnothing$  8mm

\*Specification given are subject to changed without further notice.