



# PNEUMATIC ACTUATORS

## ACT-40



**SPRING RETURN**  
**"ASR"**



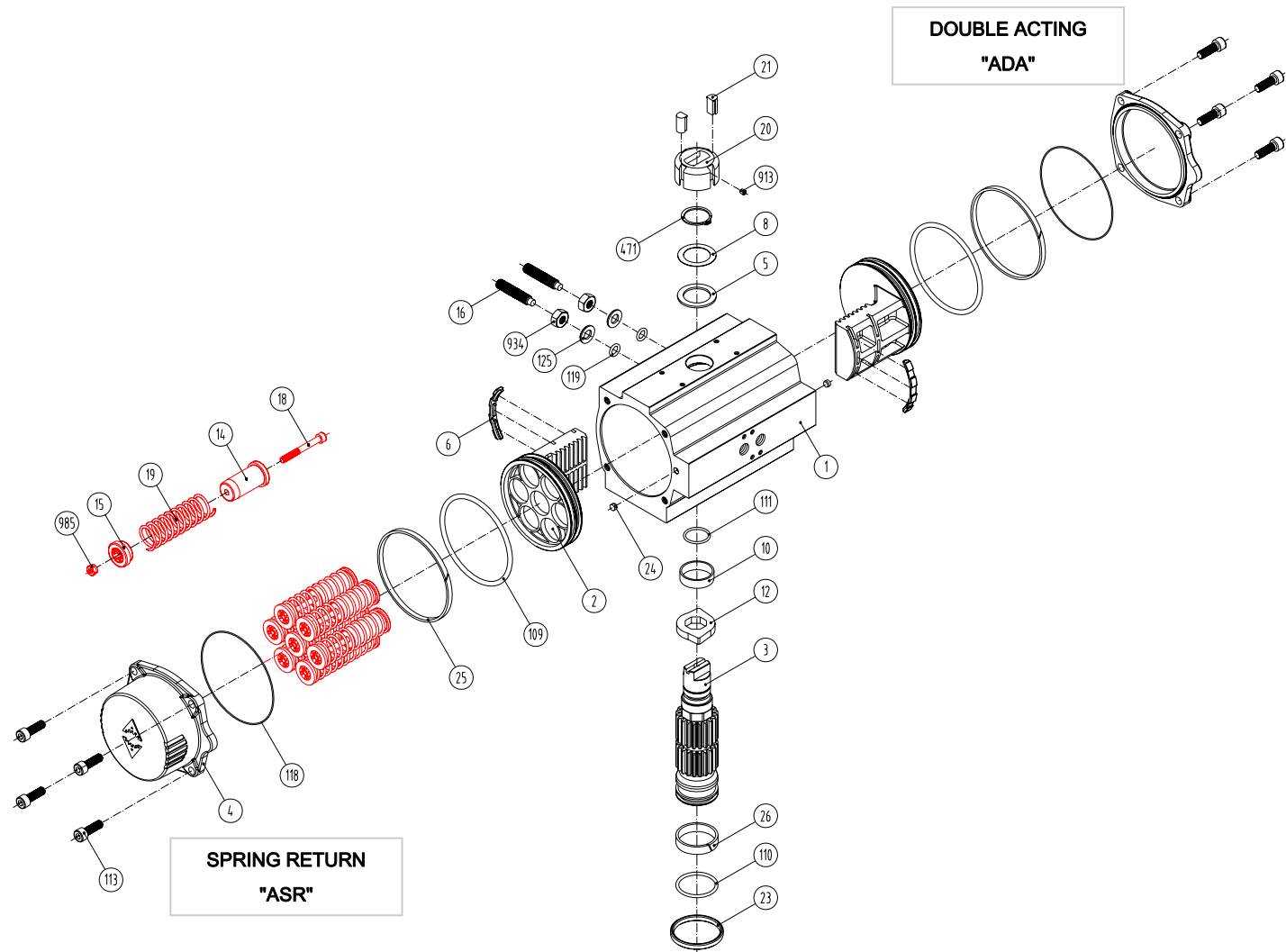
**DOUBLE ACTING**  
**"ADA"**

Manufacturing program:

**Ex** II 2 G D c - LCIE 05 AR 022

Quality & Environmental Management:

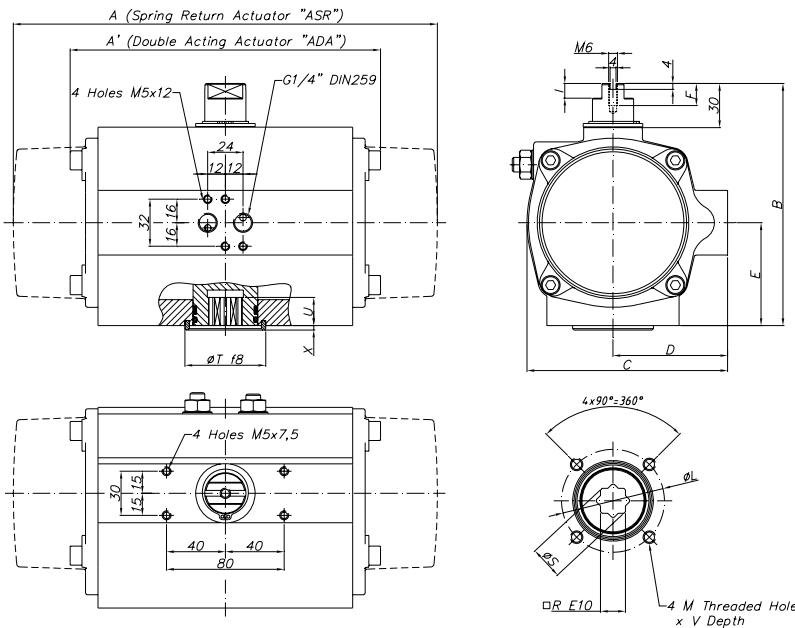




Item	Description	Material	Item	Description	Material
1	Body	Aluminium Hard Anodized	23	Centering Ring	Nickel Plated Carbon Steel
2	Piston	Aluminium	24	Plug air stop	NBR
3	Pinion	Nickel Plated Carbon Steel	25	Slide Guide	Polyamide PA 6.6 + 30% G.F.
4	End Caps	Aluminium Epoxy Coated	26	Lower Pinion Bearing	Hostalen RCH 1000
5	Soft Pinion Washer	Polyamide PA 6.6	109	O-Ring	NBR
6	Slide piston	Polyamide PA 6.6 + 30% G.F.	110	O-Ring	NBR
8	Pinion Washer	Stainless Steel	111	O-Ring	NBR
10	Upper Pinion Bearing	Hostalen RCH 1000	113	Bolt	Stainless Steel
12	Stop	ASTM A 105	118	O-Ring	NBR
14	(*) Spring's Long Support	Polyamide PA 6.6	119	O-Ring	NBR
15	(*) Spring's Short Support	Polyamide PA 6.6	125	Washer	Stainless Steel
16	Leveling Screw	Stainless Steel	913	Set Screw	Stainless Steel
18	(*) Bolt	Stainless Steel	471	External Circlip	Stainless Steel
19	(*) Spring	DIN 2076 -D-5.6	934	Nut	Stainless Steel
20	Position Indicator	Polyamide	985	(*) Nut	Stainless Steel
21	Cam	Polyamide			

(\*) Only for serie **ASR**

### Dimensions



A	A'	B	C	D	E	F	I	R	ØS	ISO	ØL	M x V	ØT	X	U
195	158	115	91	56	45	9	6	11	14,7	F04	42	M5x10	30	3	17

(\*) Dimensions in mm

GENERAL CHARACTERISTICS	Serie <b>ADA</b> Serie <b>ASR</b>	Actuator Actuator	Double Spring	Acting Return
<b>DESIGN STANDARDS</b>				
Mounting of solenoid valves	NAMUR Std.			
Mounting of devices	NAMUR VDI		NAMUR VDE 3845 Std.	
Coupling according	ISO 5211		DIN 3337	
Marking	ⓧ II 2 G D c LCIE 05 AR 022			
<b>TESTS AND CERTIFICATES</b>				
Quality Assurance	ISO 9001			

Max. Pressure	Rotation	Screw stroke Adjustment	Chamber Ø (mm)	Air Volume (L)		Stroke Time (Sec. (A))		Operating Temperature (°C)				
				Opening	Closing	Opening	Closing	STD (standard)	HT (high temp.)	LT (low temp.)		
8 bar	90° ±5°	For 1° Need 1/3 Turn	60,2	0,27	0,23	D	0,08	D	0,08	NBR "O" Ring	FPM "O" Ring	Silicone "O" Ring
						S	0,20	S	0,29	-30° to +100°	-15° to +150°	-40° to +80°

### Double Acting Actuator "ADA" Torque Output in Nm

TYPE	Output Torque For Double Acting in Nm										Weight (Kg)										
	3 bar		3,5 bar		4 bar		4,5 bar		5 bar			5,5 bar		6 bar (A)		6,5 bar		7 bar		8 bar	
D	0°	90°	0°	90°	0°	90°	0°	90°	0°	90°	0°	90°	0°	90°	0°	90°	0°	90°	0°	90°	2,1
	20,3		23,7		27,1		30,5		33,9		37,3		41		44		47		54		

### Spring Return Actuator "ASR" Torque Output in Nm

TYPE	Output Torque For Spring Return in Nm																Spring stroke		Weight (Kg)				
	3 bar		3,5 bar		4 bar		4,5 bar		5 bar		5,5 bar		6 bar (A)		6,5 bar		7 bar			8 bar		END	STAR
S04	0°	90°	0°	90°	0°	90°	0°	90°	0°	90°	0°	90°	0°	90°	0°	90°	0°	90°	0°	90°	5	8	2,17
	16	14	20	17	23	20	26	24	30	27	33	30	37	34	40	37	43	41	50	47			
S06	0°	90°	0°	90°	0°	90°	0°	90°	0°	90°	0°	90°	0°	90°	0°	90°	0°	90°	0°	90°	7	12	2,20
	14	10	18	14	21	17	24	20	28	24	31	27	34	30	38	34	41	37	48	44			
S08	0°	90°	0°	90°	0°	90°	0°	90°	0°	90°	0°	90°	0°	90°	0°	90°	0°	90°	0°	90°	10	16	2,23
			15	10	19	14	22	17	26	20	29	24	32	27	36	30	39	34	46	41			
S10	0°	90°	0°	90°	0°	90°	0°	90°	0°	90°	0°	90°	0°	90°	0°	90°	0°	90°	0°	90°	12	20	2,26
							20	14	24	17	27	20	30	24	34	27	37	30	44	37			
S12	0°	90°	0°	90°	0°	90°	0°	90°	0°	90°	0°	90°	0°	90°	0°	90°	0°	90°	0°	90°	15	24	2,29
									21	13	25	17	28	20	32	24	35	27	42	34			
S14 (A)	0°	90°	0°	90°	0°	90°	0°	90°	0°	90°	0°	90°	0°	90°	0°	90°	0°	90°	0°	90°	17	28	2,32
											23	13	26	17	30	20	33	24	40	30			

(A) Standard construction