



# PNEUMATIC ACTUATORS

## ACT-130

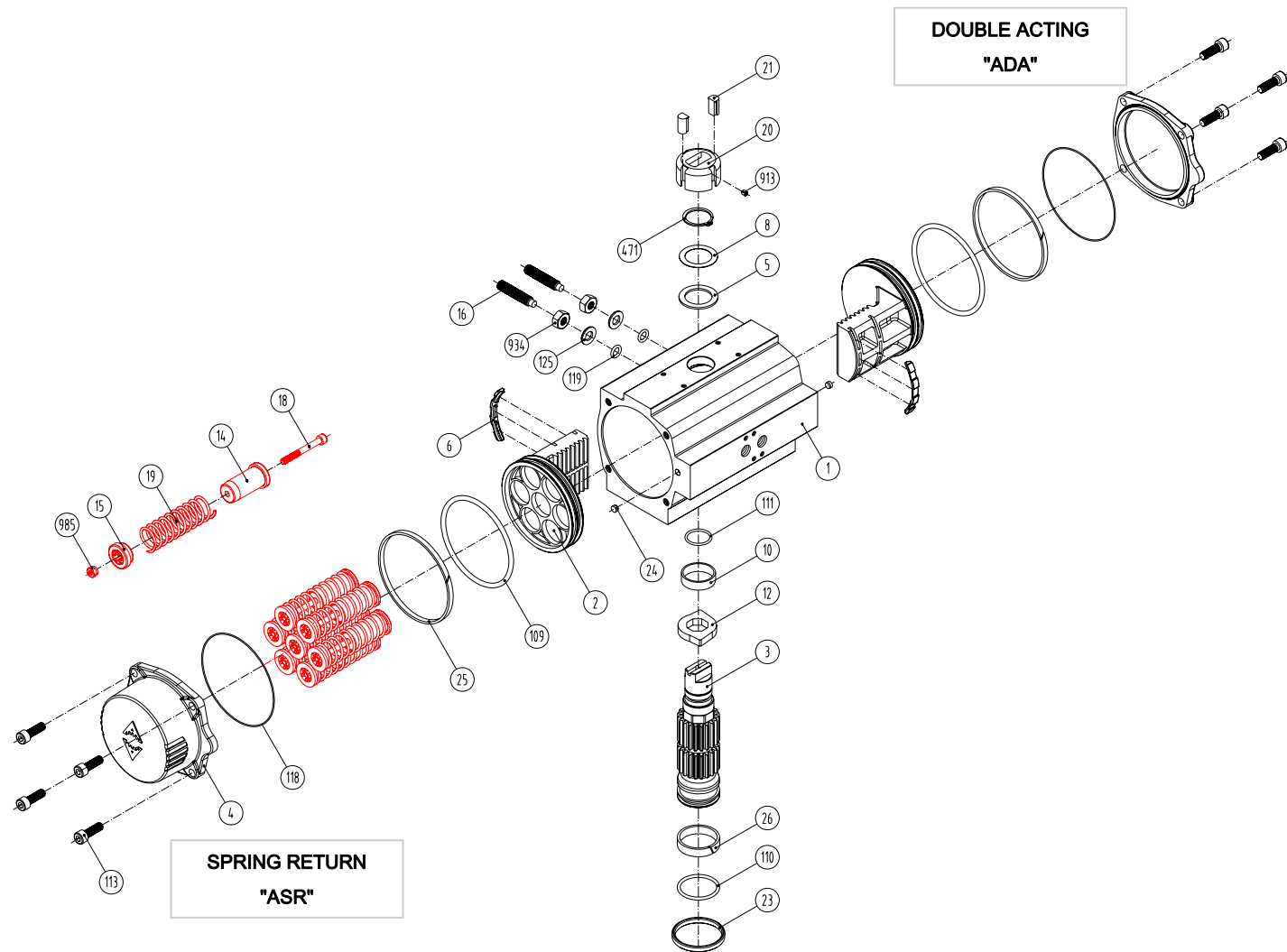


**SPRING RETURN**  
**"ASR"**



**DOUBLE ACTING**  
**"ADA"**

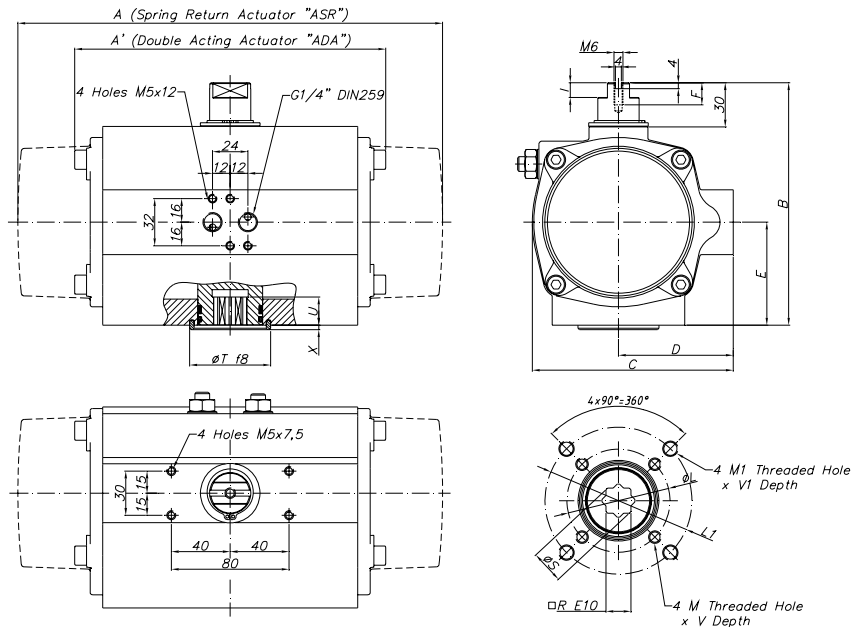
 **II 2 G D C-LCIE 05 AR 022**



Item	Description	Material	Item	Description	Material
1	Body	Aluminium Hard Anodized	23	Centering Ring	Nickel Plated Carbon Steel
2	Piston	Aluminium	24	Plug Air Stop	NBR
3	Pinion	Nickel Plated Carbon Steel	25	Slide Guide	Resin
4	End Caps	Aluminium Epoxy Coated	26	Lower Pinion Bearing	Hostalen
5	Soft Pinion Washer	Nylon 6.6	109	O-Ring	NBR
6	Slide piston	Polyamide	110	O-Ring	NBR
8	Pinion Washer	Stainless Steel	111	O-Ring	NBR
10	Upper Pinion Bearing	Hostalen	113	Bolt	Stainless Steel
12	Stop	A-216 WCB	118	O-Ring	NBR
14	(*) Spring's Long Support	Nylon 6.6	119	O-Ring	NBR
15	(*) Spring's Short Support	Nylon 6.6	125	Washer	Stainless Steel
16	Leveling Screw	A4 - 70	913	Set Screw	Stainless Steel
18	(*) Bolt	Stainless Steel	471	External Circlip	Stainless Steel
19	(*) Spring	DIN 2076 -D-5.6	934	Nut	Stainless Steel
20	Position Indicator	Polyamide	985	(*) Nut	Stainless Steel
21	Cam	Polyamide			

(\*) Only for serie **ASR**

### Dimensions



A	A'	B	C	D	E	F	I	R	ØS	ISO	ØL	M x V	ISO	ØL1	M1 x V1	ØT	X	U
258	196	147	122	71	60	15	8	17	22,5	F05	50	M6x10	F07	70	M8x16	55	3	22,5

(\*) Dimensions in mm

GENERAL CHARACTERISTICS	Serie <b>ADA</b>	<b>Actuator</b>	<b>Double</b>	<b>Acting</b>
	Serie <b>ASR</b>	<b>Actuator</b>	<b>Spring</b>	<b>Return</b>
DESIGN STANDARDS	NAMUR Std.			
Mounting of solenoid valves	NAMUR VDI			
Mounting of devices	NAMUR VDI		NAMUR VDE 3845 Std.	
Coupling according	ISO 5211		DIN 3337	
Marking	⊗ II 2 G D c LCIE 05 AR 022			
TESTS AND CERTIFICATES	ISO 9001			
Quality Assurance	ISO 9001			

Max. Pressure	Rotation	Screw stroke Adjustment	Chamber Ø (mm)	Air Volume (L)		Stroke Time (Sec. (A))		Operating Temperature (°C) (B)		
				Opening	Closing	Opening	Closing	STD (standard)	HT (high temp.)	LT (low temp.)
8 bar	90° ±5°	For 1° Need 1/4 Turn	90,5	0,77	0,76	D 0,15	D 0,15	NBR "O" Ring	FPM "O" Ring	Silicone "O" Ring
						S 0,32	S 0,5	-20° to +80°	-15° to +150°	-40° to +80°

### Double Acting Actuator "ADA" Torque Output in Nm

TYPE	Output Torque For Double Acting in Nm										Weight (Kg)										
	3 bar		3,5 bar		4 bar		4,5 bar		5 bar			5,5 bar		6 bar (A)		6,5 bar		7 bar		8 bar	
Pressure	0°	90°	0°	90°	0°	90°	0°	90°	0°	90°	0°	90°	0°	90°	0°	90°	0°	90°	0°	90°	
D	59,1		68,9		78,7		88,6		98,4		108,3		118		128		138		157		3,8

### Spring Return Actuator "ASR" Torque Output in Nm

TYPE	Output Torque For Spring Return in Nm																Spring stroke		Weight (Kg)					
	3 bar		3,5 bar		4 bar		4,5 bar		5 bar		5,5 bar		6 bar (A)		6,5 bar		7 bar			8 bar		END	STAR	
Pressure	0°	90°	0°	90°	0°	90°	0°	90°	0°	90°	0°	90°	0°	90°	0°	90°	0°	90°	0°	90°	0°	90°		
S06	43	36	52	46	62	56	72	65	82	75	92	85	102	95	111	105	121	115	141	134	19	27	4,4	
S08			47	38	57	48	67	58	76	68	86	77	96	87	106	97	116	107	135	127	26	36	4,5	
S10					51	40	61	50	71	60	81	70	91	80	100	89	110	99	130	119	32	45	4,6	
S12 (A)							56	42	65	52	75	62	85	72	95	82	105	92	124	111	39	54	4,7	
S14											70	54	80	64	89	74	99	84	119	103	45	64	4,8	