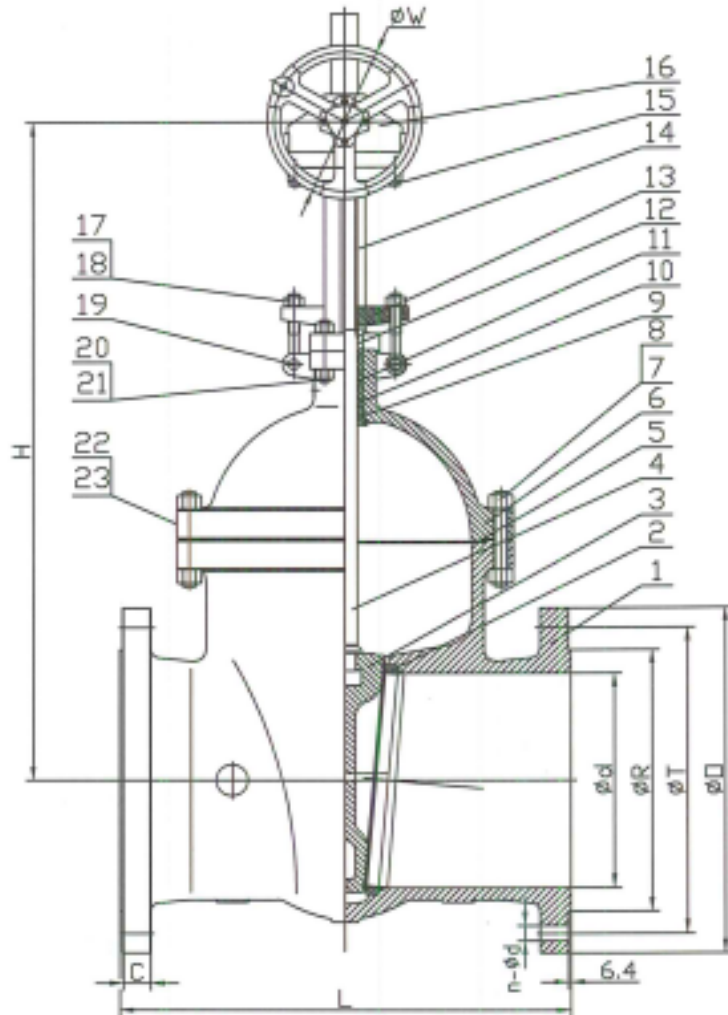




TURCOMP



No.	Part Name	Material
1	Body	ASTM A216 GR. WCB
2	Seat Ring	ASTM A105 + STL #6
3	Wedge	ASTM A216 GR. WCB + CR13
4	Stem	ASTM A182 GR F6a
5	Gasket	SPW SS304 + GRAPHITE
6	Bonnet	ASTM A216 GR.WCB
7	Nut	ASTM A194 GR.2H
8	Stud	ASTM A193 GR.B7
9	Back Seat	ASTM A276 TYPE 410
10	Spacer Ring	ASTM A276 TYPE 410
11	Packing	GRAPHITE
12	Gland	ASTM A276 TYPE 410
13	Gland Flange	ASTM A216 GR.WCB
14	Yoke	ASTM A216 GR.WCB
15	Bolt	ASTM A29 TYPE 1025
16	Gear Operator	
17	Eye Bolt	ASTM A193 GR.B7
18	Nut	ASTM A194 GR.B7
19	Pin	ASTM A29 TYPE 1025
20	Stud	ASTM A193 GR.B7
21	Nut	ASTM A194 GR.2H
22	Nameplate	SS316
23	Rivet	SS316

DIM NPS	Φd	ΦR	ΦT	ΦD	n-Φd	C	L	H	W	W(KG)
	8	200	270	349	419	12-Φ32	56	660	842	460
10	248	324	432	508	16-Φ35	64	787	1017	610	673