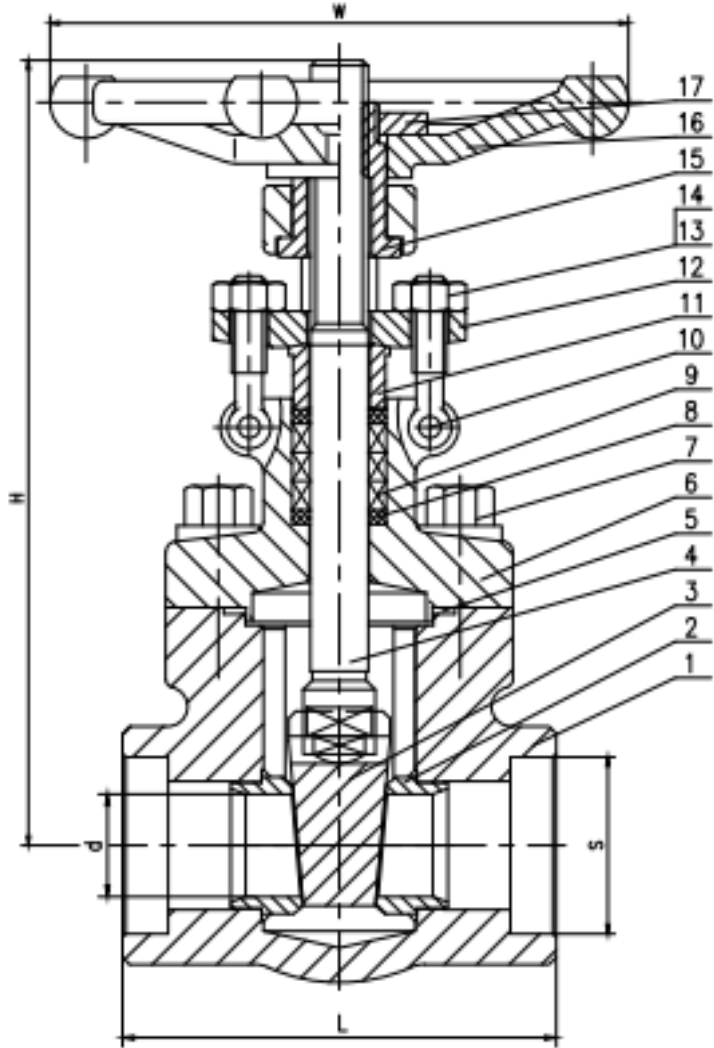




TURCOMP



No.	Part Name	Material
1	Body	ASTM A105N
2	Seat	A182 F316 + STL6
3	Wedge	A182 F316 + STL6
4	Stem	A182 F316
5	Gasket	316SS +FLEXIBLE GRAPHITE
6	Bonnet	ASTM A105N
7	Bolt	ASTM A193 B7
8	Packing	BRAIDED GRAPHITE
9	Packing	FLEXIBLE GRAPHITE
10	Pin	ANSI 1025
11	Gland	A182 F316
12	Gland Flange	ASTM A105
13	Eye Bolts	ASTM A193 B7
14	Nuts	ASTM A194 2H
15	Stem Nuts	A276 T410
16	Handwheel	KTH330-08
17	Nut	ANSI 1025