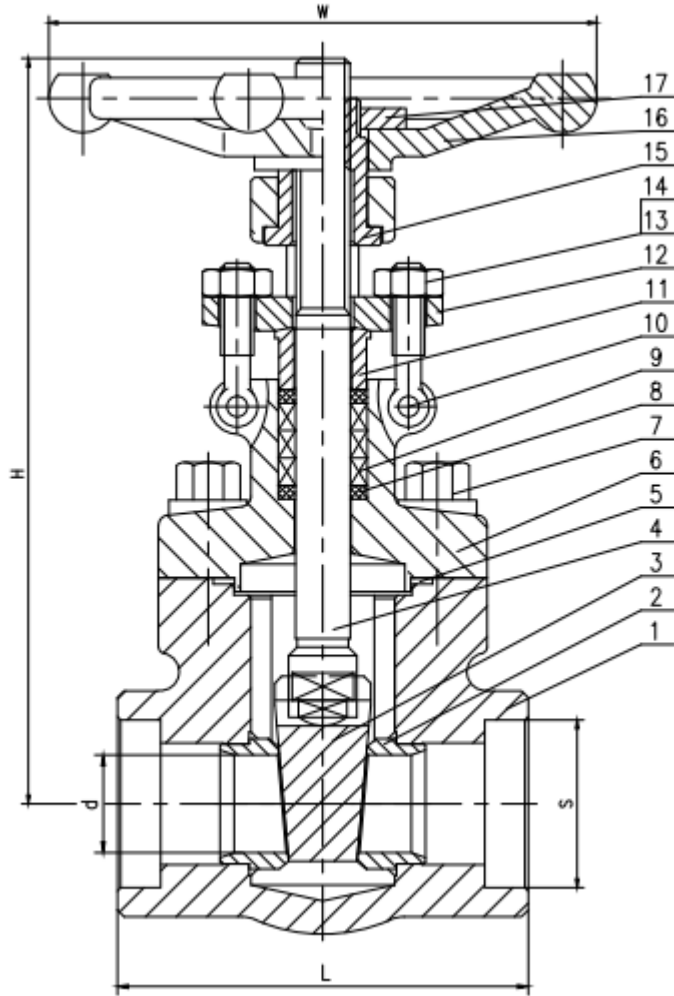




TURCOMP



No.	Part Name	Material
1	Body	A216
2	Seat	A182 F316 + STL6
3	Wedge	A182 F316
4	Stem	A182 F316
5	Gasket	316SS +FLEXIBLE GRAPHITE
6	Bonnet	A182 F316
7	Bolt	ASTM A193 B8
8	Packing	BRAIDED GRAPHITE
9	Packing	FLEXIBLE GRAPHITE
10	Pin	SS304
11	Gland	A182 F316
12	Gland Flange	A182 F316
13	Eye Bolts	ASTM A193 B8
14	Nuts	ASTM A194 8
15	Stem Nuts	A276 T410
16	Handwheel	KTH330-08
17	Nut	SS304