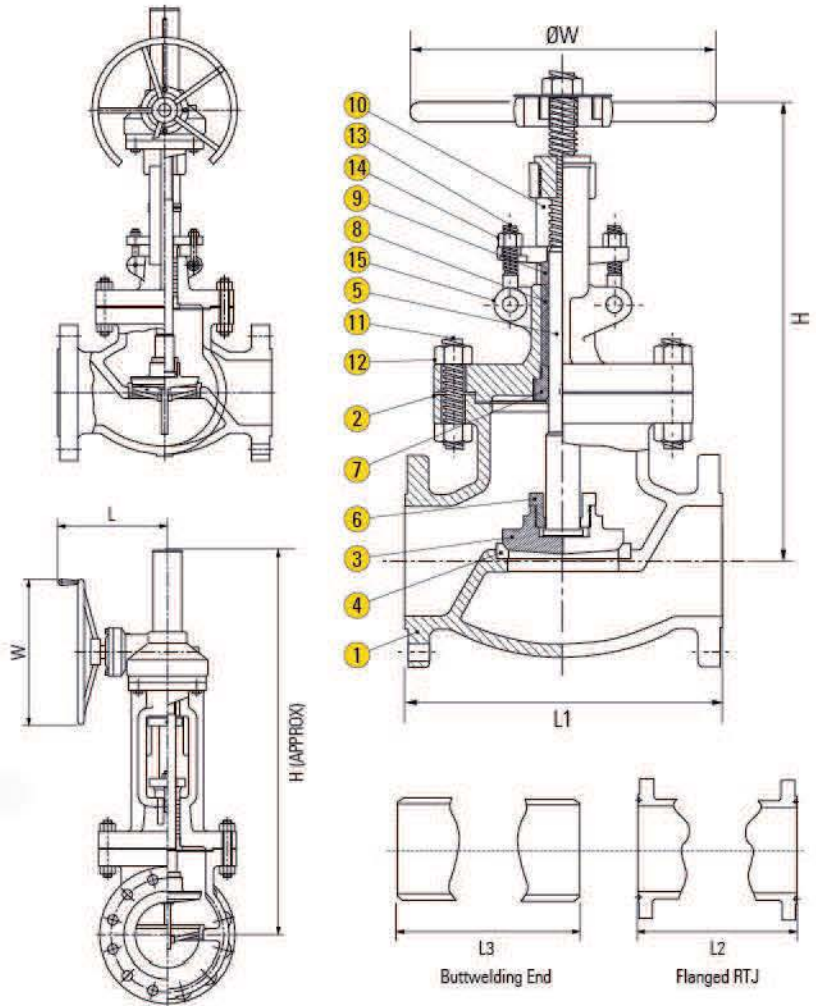


GLOBE VALVE

CARBON STEEL / STAINLESS STEEL



FIG GB-6D



SPECIFICATION

Designed and Manufactured API 6D
 Face To Face Dimension ASME 16.10
 Pressure Rating Class 150, 300, 600, 900, 1500 and 2500
 Flange End Dimension ASME B16.5

BW End Dimension ASME B16.25
 Test and Inspection API 598
 Pressure - Temperature Rating ASME B16.34

MATERIAL

Parts	ASTM Specification						
	Standard	High Temperature Service				Low Temperature Service	Corrosion Service
1 Body	A216-WCB	A217-WC1	A217-WC6	A217-WC9	A217-C5	A352-LCB	A351-CF8M
2 Bonnet	A216-WCB	A217-WC1	A217-WC6	A217-WC9	A217-C5	A352-LCB	A351-CF8M
3 Disc	A217-CA15	A217-WC1	A217-WC6	A217-WC9	A217-C5	A352-LCB	A351-CF8M
4 Body Seat Ring	A105+HARD FACE	A105+HARD FACE	A105+HARD FACE	A105+HARD FACE	A105+HARD FACE	A182-F304	A182-F316
5 Stem	A276-410	A276-410	A276-410	A276-410	A276-410	A276-304	A276-316
6 Disc Gland	A276-410	A276-410	A276-410	A276-410	A276-410	A276-304	A276-316
7 Bonnet Bush	A276-410	A276-410	A276-410	A276-410	A276-410	A276-F304	A276-F316
8 Packing Gland	A276-410	A276-410	A276-410	A276-410	A276-410	A276-304	A276-316
9 Gland Flange	A105	A105	A105	A105	A105	A105	A351-CF8/A240-304
10 Yoke Bush	A439-D2	A439-D2	A439-D2	A439-D2	A439-D2	A439-D2	A439-D2
11 Bonnet Bolt	A193-B7	A193-B7	A193-B7	A193-B16	A193-B16	A320-L7	A193-B8
12 Bonnet Nut	A194-2H	A194-2H	A194-2H	A194-4	A194-4	A194-4	A194-8
13 Gland Bolt	A307.B	A307.B	A307.B	A307.B	A307.B	A307.B	A193-B8
14 Gland Nut	A307.B	A307.B	A307.B	A307.B	A307.B	A307.B	A194-8
15 Hinge Pin	A276-410	A276-410	A276-410	A276-410	A276-410	A276-304	A276-304

*Note : In case of 12" and larger size, We'll use trim material overlaid one on the same or equivalent material of the body.

*Specification given are subject to changed without further notice.

CLASS 150 *(N/A for L2)

Valve Size	inch	2	2½	3	4	5	6	8	10	12	14	16	18	20	24
	mm	50	65	80	100	125	150	200	250	300	350	400	450	500	600
L1 & L3	inch	8.0	8.5	9.5	11.5	14.0	16.0	19.5	24.5	27.5	31.0	36.0	38.5	38.5	51.0
	mm	203	216	241	292	356	406	495	622	699	787	914	978	978	1295
H	inch	10.8	11.4	12.5	13.7	15.6	17.3	22.0	26.4	29.1	54.7	62.6	71.7	80.7	90.6
	mm	275	290	320	350	400	440	560	670	740	1390	1590	1820	2050	2300
W	inch	7.7	7.7	8.5	9.4	11.0	11.8	14.0	15.7	17.7	22.0	22.0	24.0	27.6	27.6
	mm	195	195	215	240	280	300	355	400	450	560	560	610	700	700
L	inch	-	-	-	-	-	-	-	-	-	16.3	16.3	17.0	17.0	17.0
	mm	-	-	-	-	-	-	-	-	-	414	414	432	432	432
Weight	LB	46.3	59	72.8	116.9	163.2	209.5	410.1	524.8	804.8	1364.9	1808.1	2154.3	2712.2	3472.9
	Kg	21	27	33	53	74	95	186	238	365	619	820	977	1230	1575

CLASS 300

Valve Size	inch	2	2½	3	4	5	6	8	10	12	14	16	18	20	24	32
	mm	50	65	80	100	125	150	200	250	300	350	400	450	500	600	600
L1 & L3	inch	10.5	11.5	12.5	14.0	15.75	17.5	22.0	24.5	28.0	33.0	34	38.5	40	53	62.75
	mm	267	292	318	356	400	445	559	622	711	838	864	978	1016	1346	1594
L2	inch	11.12	12.12	13.12	14.62	16.38	18.12	22.62	25.12	28.62	33.6	34.6	39.12	40.75	53.88	63.4
	mm	283	308	333	371	416	460	575	638	727	854	879	994	1035	1369	1610
H	inch	14.4	15.7	16.1	18.9	26.6	27.6	29.5	31.5	37.6	54.7	62.6	71.7	80.7	90.6	122.0
	mm	365	400	410	480	676	700	750	800	955	1390	1590	1820	2050	2300	3100
W	inch	7.7	8.5	9.4	10.6	12.4	14.0	15.7	17.7	19.7	22.1	27.6	27.6	27.6	31.5	31.5
	mm	195	215	240	270	315	355	400	450	500	560	700	700	700	800	800
L	inch	-	-	-	-	-	-	-	-	-	16.3	18.4	18.4	18.4	20.7	20.7
	mm	-	-	-	-	-	-	-	-	-	414	468	468	468	526	526
Weight	LB	61.7	86.0	99.2	189.6	253.6	330.8	621.8	809.2	1045.2	1907.3	2529.1	3014.2	3572.1	5159.7	7364.7
	Kg	28	39	45	86	115	150	280	367	474	865	1147	1367	1620	2340	3340