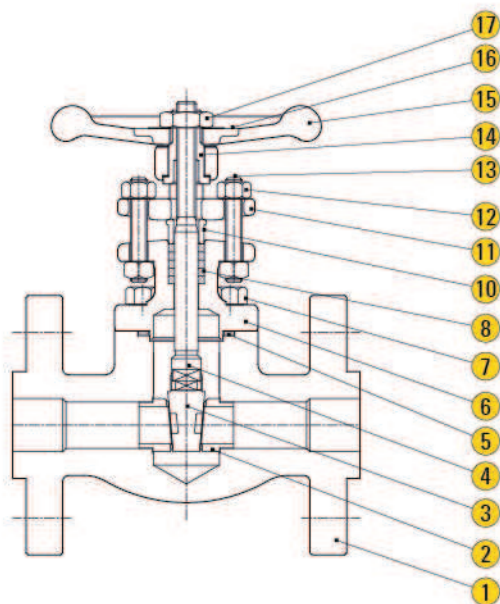


GATE VALVE FLANGE

FORGED CARBON STEEL / STAINLESS STEEL



APPLICATION

Suitable for water, steam, oil, gases and non-abrasive media
(Refer to corrosion resistance table for valve materials selection).

SPECIFICATION

Face To Face Dimension	ASME B16.10
Pressure Rating	Class 150, 300, 600, 1500 and 2500
End To End Dimension	ASME B16.10
Flange End Dimension	ASME B16.5
BW End Dimension	ASME B16.25

FIG GT-^{*1}-^{*2}-^{*3}

Note : ^{*1} Class | ^{*2} Material | ^{*3} Connection

CLASS 150 - 300 - 600

Unit : mm (inch)

Port	Valve Size	Handwheel Diameter	Center to Top (Open)	Dia. of Port Openings	End to End			Approx. Wt, Kg (Lb)		
					Class 150	Class 300	Class 600	Class 150	Class 300	Class 600
Reduced	1/2	86 (3.39)	145 (5.71)	9.8 (0.39)	108 (4.25)	140 (5.50)	165 (6.50)	2.5 (5.5)	3.0 (6.6)	3.3 (7.3)
	3/4	86 (3.39)	151 (5.95)	13.0 (0.51)	117 (4.62)	152 (6.00)	190 (7.50)	3.1 (6.8)	4.0 (8.8)	4.6 (10.1)
	1	99 (3.90)	190 (7.48)	18.0 (0.71)	127 (5.0)	165 (6.50)	216 (8.50)	4.7 (10.4)	6.0 (13.2)	6.6 (14.6)
	1-1/2	124 (4.88)	241 (9.49)	31.0 (1.22)	165 (6.5)	190 (7.50)	241 (9.50)	8.7 (19.2)	11.0 (24.3)	12.2 (26.9)
	2	138 (5.43)	271 (10.67)	37.0 (1.46)	178 (7.0)	216 (8.50)	292 (11.50)	12.2 (26.9)	14.0 (30.9)	15.8 (34.8)

CLASS 1500

Unit : mm (inch)

Port	Valve Size	Handwheel Diameter	Center to Top (Open)	Dia. of Port Openings	End to End	Approx. Wt, Kg (Lb)
Reduced	1/2	86 (3.39)	153 (6.02)	9.8 (0.39)	216 (8.50)	6.5 (14.3)
	3/4	99 (3.90)	190 (7.58)	13.0 (0.51)	229 (9.00)	9.0 (19.9)
	1	124 (4.88)	230 (9.06)	18.0 (0.71)	254 (10.00)	13.8 (30.4)
	1-1/2	138 (5.43)	272 (10.71)	31.0 (1.22)	305 (12.00)	22.2 (49.0)
	2	157 (6.18)	325 (12.80)	37.0 (1.46)	368 (14.25)	33.2 (73.2)

CLASS 2500

Unit : mm (inch)

Port	Valve Size	Handwheel Diameter	Center to Top (Open)	Dia. of Port Openings	End to End	Approx. Wt, Kg (Lb)
Full	1/2	124 (4.88)	311 (12.24)	12.7 (0.50)	264 (10.38)	18 (40)
	3/4	124 (4.88)	311 (12.24)	12.7 (0.50)	273 (10.75)	19 (42)
	1	200 (7.88)	388 (15.27)	18.0 (0.71)	308 (12.12)	35 (77)
	1-1/2	200 (7.88)	430 (16.93)	25.4 (1.00)	384 (15.12)	54 (119)
	2	250 (9.84)	480 (18.90)	31.8 (1.25)	351 (17.75)	82 (181)

*Specification given are subject to changed without further notice.

GATE VALVE

FORGED CARBON STEEL / STAINLESS STEEL

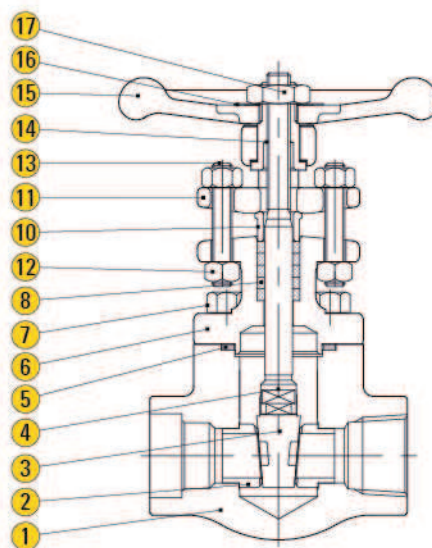
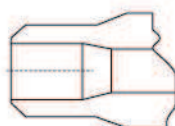
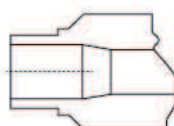


FIG GT-*1-*2-*3

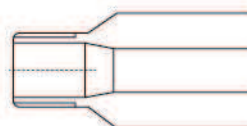
Note : *1 Class | *2 Material | *3 Connection



BW



SW



NPT

APPLICATION

Suitable for water, steam, oil, gases and non-abrasive media
(Refer to corrosion resistance table for valve materials selection).

SPECIFICATION

Face To Face Dimension	ASME B16.10
Pressure Rating	Class 600, 800, 1500 and 2500
End To End Dimension	ASME B16.10
Flange End Dimension	ASME B16.5
BW End Dimension	ASME B16.25

Unit : mm (inch)

CLASS 600 / 800

Port	Valve Size	Handwheel Diameter	End to End	Center to Top (Open)	Dia. of Port Openings	Approx. Wt Kg (Lb)
Reduced	1/2	86 (3.39)	76 (2.99)	145 (5.71)	9.8 (0.39)	1.5 (3.3)
	3/4	86 (3.39)	86 (3.39)	151 (5.95)	13.0 (0.51)	2.0 (4.4)
	1	99 (3.90)	102 (4.02)	190 (7.48)	18.0 (0.71)	2.8 (6.2)
	1-1/4	124 (4.88)	117 (4.61)	241 (9.49)	31.0 (1.22)	5.2 (11.5)
	1-1/2	124 (4.88)	117 (4.61)	241 (9.49)	31.0 (1.22)	5.2 (11.5)
	2	138 (5.43)	133 (5.24)	271 (10.67)	37.0 (1.46)	8.2 (18.8)

Full	1/2	86 (3.39)	86 (3.39)	151 (5.95)	13.0 (0.51)	2.0 (4.4)
	3/4	99 (3.90)	102 (4.02)	190 (7.48)	18.0 (0.71)	2.8 (6.2)
	1	124 (4.88)	117 (4.61)	241 (9.49)	23.0 (0.91)	5.2 (11.5)
	1-1/4	138 (5.43)	133 (5.24)	271 (10.67)	37.0 (1.46)	8.2 (18.8)
	1-1/2	138 (5.43)	133 (5.24)	271 (10.67)	37.0 (1.46)	8.2 (18.8)
	2	157 (6.18)	218 (8.58)	318 (12.52)	50.8 (2.00)	12.7 (28.0)

CLASS 1500

Unit : mm (inch)

Port	Valve Size	Handwheel Diameter	End to End	Center to Top (Open)	Dia. of Port Openings	Approx. Wt Kg (Lb)
Reduced	1/2	86 (3.39)	86 (3.39)	151 (5.95)	9.8 (0.39)	2.0 (4.4)
	3/4	99 (3.90)	102 (4.02)	190 (7.48)	13.0 (0.51)	3.4 (7.5)
	1	124 (4.88)	117 (4.61)	241 (9.49)	18.0 (0.71)	5.8 (12.8)
	1-1/4	138 (5.43)	133 (5.24)	271 (10.67)	31.0 (1.22)	8.5 (18.7)
	1-1/2	138 (5.43)	133 (5.24)	271 (10.67)	31.0 (1.22)	8.5 (18.7)
	2	157 (6.18)	210 (8.27)	325 (12.80)	37.0 (1.46)	11.7 (25.8)

*Specification given are subject to changed without further notice.

CLASS 2500

Unit : mm (inch)

Port	Valve Size	Handwheel Diameter	End to End	Center to Top (Open)	Dia. of Port Openings	Approx. Wt Kg (Lb)
Full	1/2	140 (5.51)	110 (4.33)	227 (8.94)	12.0 (0.47)	5.0 (11.0)
	3/4	200 (7.87)	127 (5.00)	270 (10.63)	16.0 (0.63)	8.0 (18.0)
	1	230 (9.06)	155 (6.10)	324 (12.76)	21.0 (0.83)	13.0 (30.0)
	1-1/4	250 (9.84)	210 (8.27)	390 (15.35)	32.0 (1.26)	23.0 (52.0)
	1-1/2	250 (9.84)	210 (8.27)	390 (15.35)	32.0 (1.26)	23.0 (52.0)
	2	315 (12.4)	229 (9.02)	487 (19.17)	38.0 (1.50)	38.0 (84.0)

MATERIAL

Parts	ASTM Designation												
	A105N	A350			A182				A182				
		LF2	LF3	F304/L	F316/L	F321	F347	F51	F5	F9	F11	F22	F91
1 Body	A105N	LF2	LF3	F304/L	F316/L	F321	F347	F51	F5	F9	F11	F22	F91
2 Seat Ring	A276-410+STL		A276-316+STL			A276-321+STL	A276-347+STL	UNS S31803+STL	A276-410+STL				
	A105+STL*	LF2+STL*							F5+STL*	F9+STL*	F11+STL*	F22+STL*	F91+STL*
3 Wedge	A217-CA15		A351-CF8M+STL			A276-321+STL	A276-347+STL	UNS S31803+STL	A217-CA15				
	A276-410*		A276-316+STL*						A276-410+STL*				
4 Stem	A276-410		A276-304		A276-316	A276-321	A276-347	UNS S31803	A276-410				
			A276-316*										
5 Gasket	304 Spiral Wound Graphite				316 SWG	321 SWG	347 SWG	Duplex SWG	304 Spiral Wound Graphite				
6 Bonnet	A105N	LF2	LF3	F304/L	F316/L	F321	F347	F51	F5	F9	F11	F22	F91
7 Bonnet Bolt	A193-B7	A320-L7		A193-B8				A193-B16					
8 Gland Packing	Graphoil												
10 Gland	316 Stainless Steel												
11 Gland Flange	A105		A182-F304					A105					
			A105*										
12 Gland Nut	A194-2H		A194-8					A194-2H					
			A194-2H*										
13 Gland Bolt	A193-B6		A193-B8					A193-B6					
	A193-B7*		A193-B7*					A193-B7*					
14 Yoke Sleeve	A582-416												
	High Tension Brass*												
15 Handwheel	A47												
16 Name Plate	Aluminium			304 Stainless Steel				Aluminium					
17 Handwheel Nut	A563-A												

STL: Stellite 6 faced

SWG : Spiral Wound Graphite

A182-F304/L : Dual Certificate Material for A182-F304 & A182-F304L

A182-F316/L : Dual Certificate Material for A182-F316 & A182-F316L

DUPLEX : Duplex Stainless Steel

* ASME CLASS 1500 and Above

* Other materials also available on request

*Specification given are subject to changed without further notice.