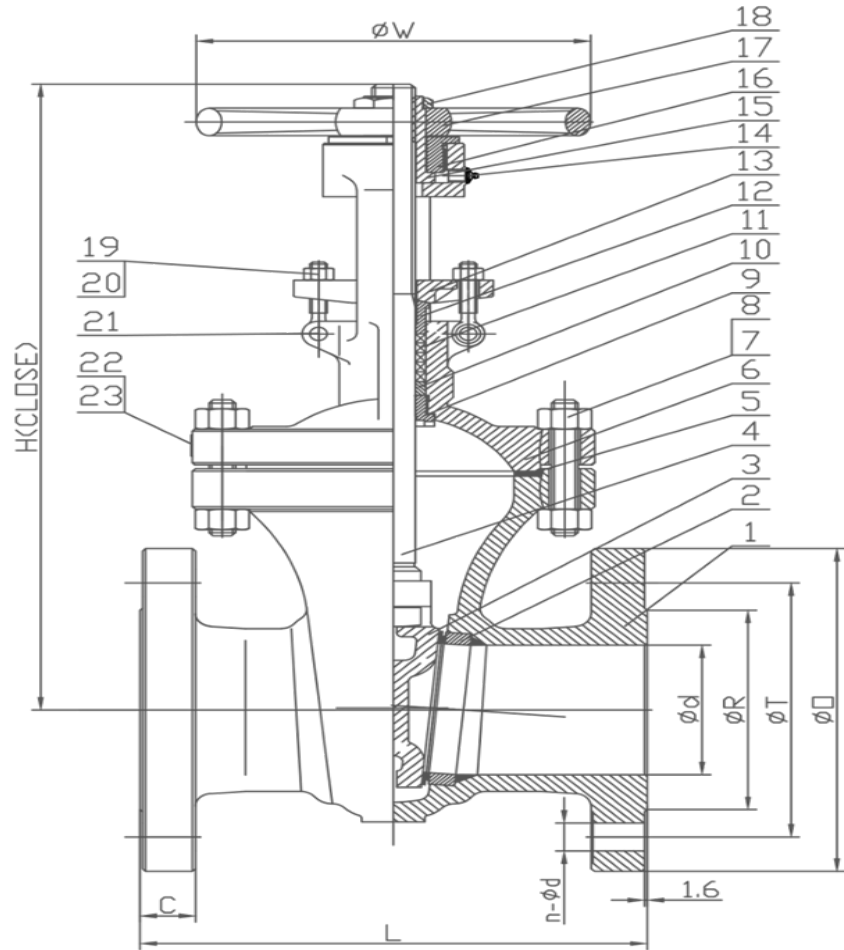


**TURCOMP**



No.	Part Name	Material
1	Body	ASTM A216 GR. WCB
2	Seat Ring	ASTM A105 + STL #6
3	Wedge	ASTM A216 GR. WCB + CR13
4	Stem	ASTM A182 GR F6a
5	Gasket	SPW SS304 + GRAPHITE
6	Bonnet	ASTM A216 GR.WCB
7	Nut	ASTM A194 GR.2H
8	Stud	ASTM A193 GR.B7
9	Back Seat	ASTM A276 TYPE 410
10	Spacer Ring	ASTM A276 TYPE 410
11	Packing	GRAPHITE
12	Gland	ASTM A276 TYPE 410
13	Gland Flange	ASTM A216 GR.WCB
14	Grease Fitting	CARBON STEEL
15	Stem Nut	ASTM A439 GR.D-2
16	Retaining Nut	ASTM A29 TYPE 1025
17	Handwheel	DUCTILE IRON
18	Handwheel Nut	ASTM A29 TYPE 1025
19	Eye Bolt	ASTM A193 GR.B7
20	Nut	ASTM A194 GR.2H
21	Pin	ASTM A29 TYPE 1025
22	Nameplate	SS316
23	Rivet	SS316

DIM NPS	Ød	ØR	ØT	ØD	n-Ød	C	L	H	W	W(KG)
2	51	92	127	165	8-Ø19	23	216	331	200	30
4	102	157	200	254	8-Ø22	32	305	450	250	83
6	152	216	270	318	12-Ø22	37	403	627	350	137
10	254	324	387.5	445	16-Ø29	48	457	927	450	333