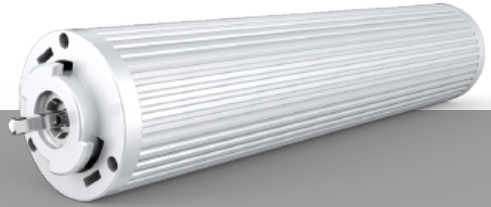


USER MANUAL



Curtain Motor curtain motor makes you easy life



Silent



Smooth Running



Radio Control



Manual Operation



Large Load



Assembled Fast



High Technology

FEATURES

Light curtain motor for every common home

Manual Operation: When powered on, the curtain could be pull by hand with 10cm. Then the curtain open or close automatically

Manual operation without power: Without power, the curtain could be controlled by hand

Intermediate position: motor could have a intermediate position which is between close and open position

Automatical position: motor could remember the close and open position, users do not need to reset.

Multi-control: users can choose different ways to control, such as emitter or switch.

Freely assembling: DIY design and customized tracks.

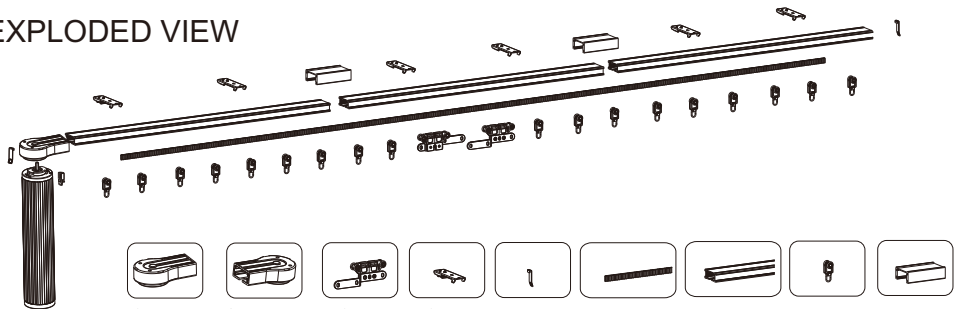
MOTOR PARAMETER

Motor Type	Rated Torque	Load	Dimension	Nominal Voltage	Nominal Consumption	IP
BCM200D	1.0NM	< 40KG	64*64*320mm	AC110-230V	40W	Ip20

TRACK LOAD

Length	3m	4m	5m	6m	7m	8m
Curtain Weight	50kg	50kg	50kg	45kg	45kg	45kg

EXPLODED VIEW



Curtain Motor



Center Opening



Subsidiary Opening



Carrier



Ceiling Bracket



Hook



Belt



Track



Runners



Ceiling Bracket

The solutions of intelligent curtain model

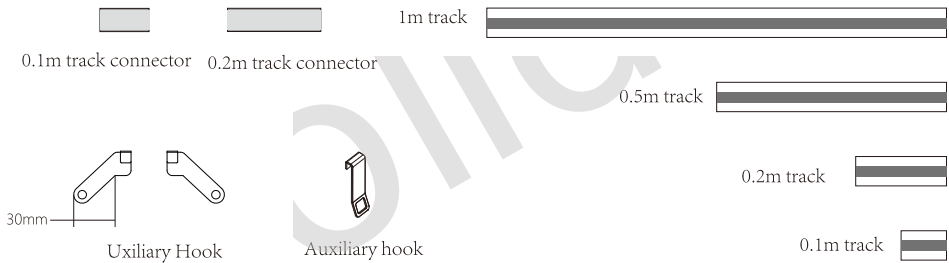
	Total length	Length of track (mm)	Track connector (mm)	Length of adjustable track(mm)					Suitable size
				Length of track(mm)			Track connector(mm)		
				500	200	100	200	100	
1	2.2m	1	1	1	2	1	1	1	< 2.16m
2	3.2m	2	2	1	2	1	1	1	2.16m-3.16m
3	4.2m	3	3	1	2	1	1	1	3.16m-4.16m
4	5.2m	4	4	1	2	1	1	1	4.16m-5.16m
5	6.2m	5	5	1	2	1	1	1	5.16m-6.16m
6	7.2m	6	6	1	2	1	1	1	6.16m-7.16m
7	8.2m	7	7	1	2	1	1	1	7.16m-8.16m

Remarks: 1.The tracks with length of 500mm、200mm、100mm are adjustable tracks, 200mm、

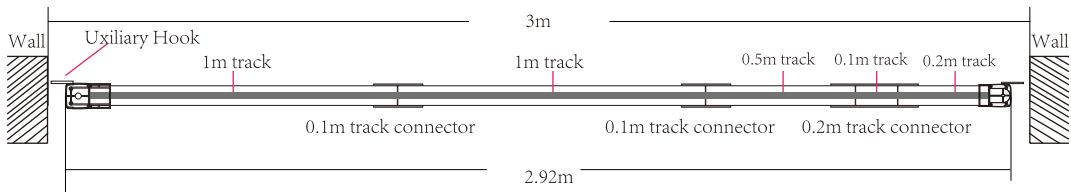
100mm track connectors are connecting pieces for adjustable track, please take notice

notice that the shortest track should be mounted on the head of the curtain tracks (closest position to the wall).

2.Optional accessories:Side mounting bracket, 90 degree angle



Example:track connect solution



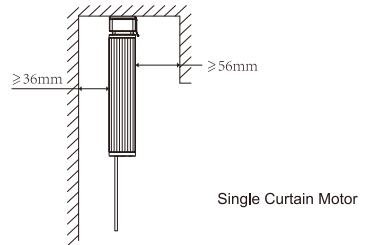
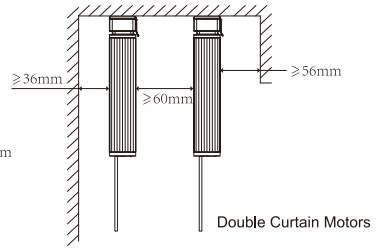
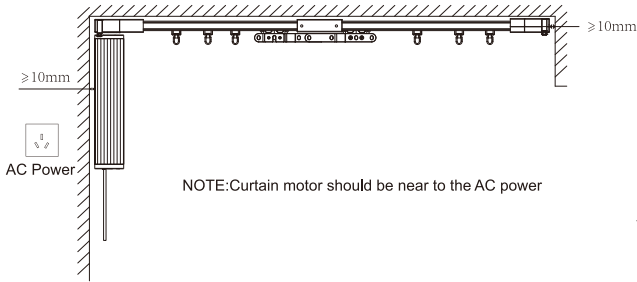
The distance between the track and the wall is at least blank 10mm

Pay attention to the solution and the position of 0.1m track connector and 0.2m track connector when you use them

Center opening +Subsidiary opening=0.12m(length)

The distance between the track and the wall is at least blank 10mm

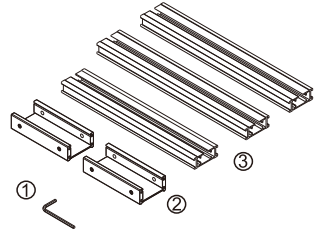
Curtain Track Dimension & Measurement



Track Installation Steps

Three sections as an example

- ① Allen wrench
- ② Connections
- ③ Tracks

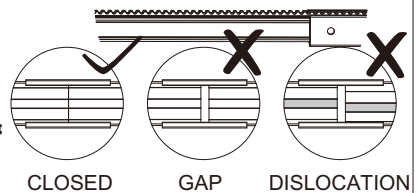


① Put the tracks and connections on flat ground

②

- ① Push the tracks into the connections.
- ② Let the tracks closed in the connection, then tighten the screws through Allen wrench.

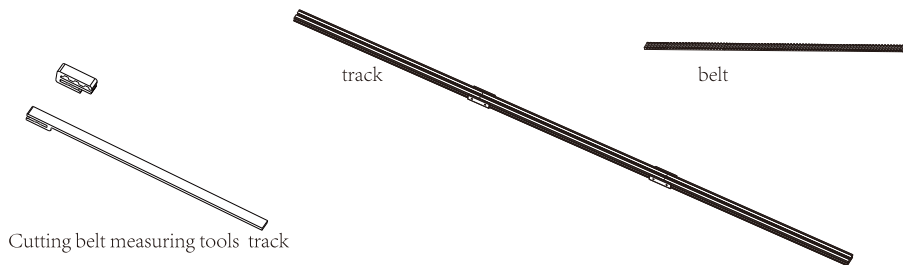
NOTE: through tightening the screws, users can adjust the gap of two tracks. No gap, no dislocation.



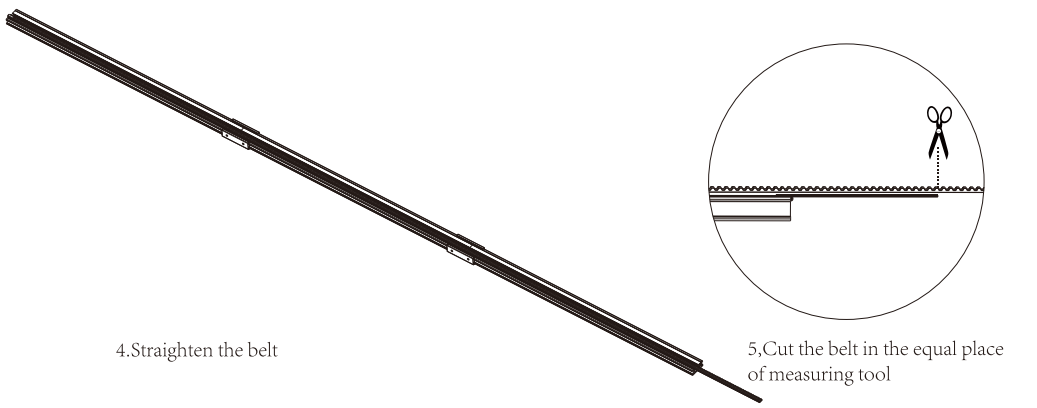
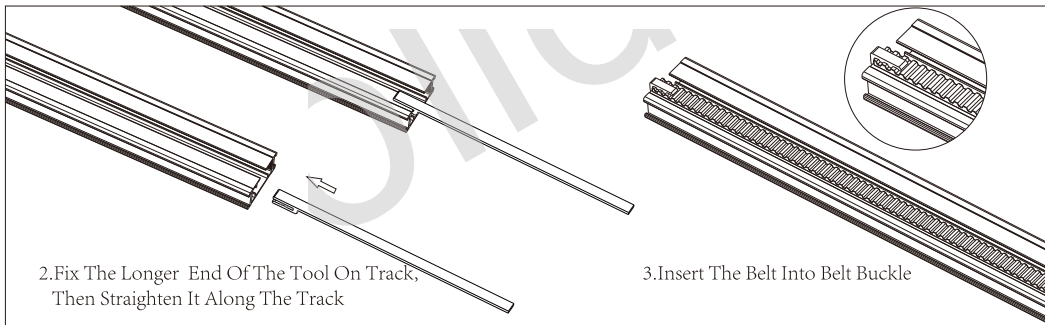
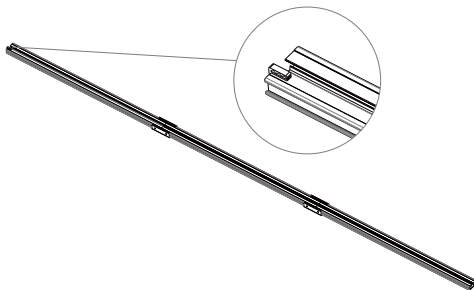
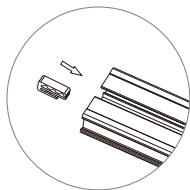
Cutting belt measuring tools instruction manual

Remark: Only applicable double direction opening belt cutting

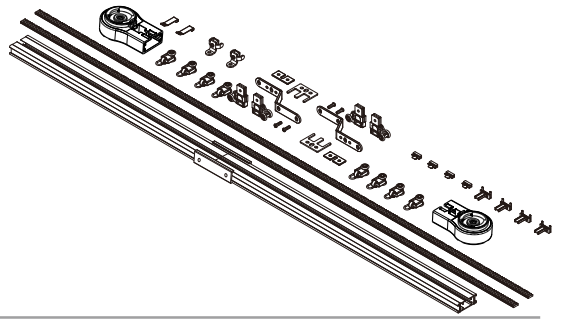
Double opening direction track needs making two equal length belts in the same way.



Take the tail set fixed at 1 end



Double-side Open Track Installation Steps



- *Use cutting belt measuring tools to cut belt
- Customer needs 2 belt in same length
- *Runners: 8pcs per meter; integer forward
- *2pcs hooks
- *2pcs carriers for Double-side Open
- 2 sections track as an sample

1

Materials **Belt buckle*2**

Belt

Fix the belt buckle on the end of belt

Belt 1

Belt 2

2

Materials **Carrier Wheel*2**

Fix the belt into the carrier wheel

The carrier wheel must be fixed on different sides of two belts.

Belt 1

Belt 2

3

Materials

Belt 2

Belt 1

Track

One belt across one track.

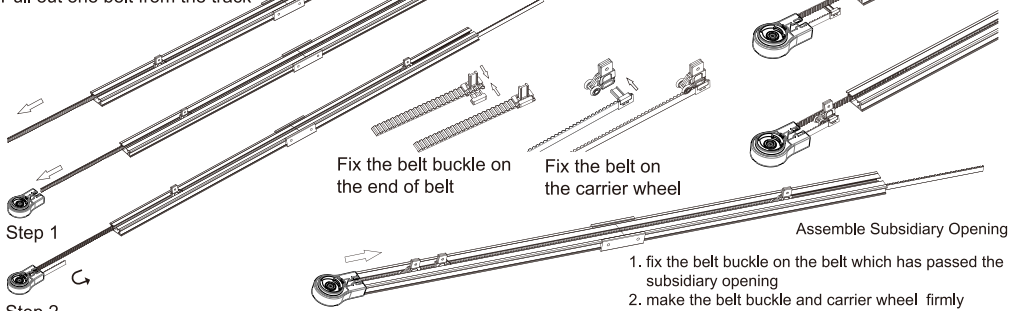
The other belt across another track

4 Materials



Subsidiary opening Belt buckle Carrier wheel

Pull out one belt from the track



Step 1

Step 2

The belt across the subsidiary opening

Fix the belt buckle on the end of belt

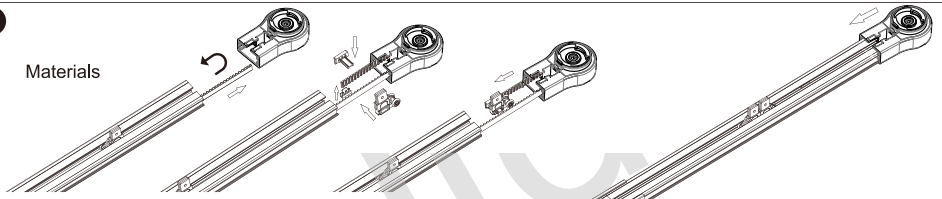
Fix the belt on the carrier wheel

Assemble Subsidiary Opening

1. fix the belt buckle on the belt which has passed the subsidiary opening
2. make the belt buckle and carrier wheel firmly
3. pass the carrier wheel through the track, and push the track in subsidiary opening
4. make the subsidiary opening and track firmly

5

Materials



Center opening

Carrier wheel

Belt buckle

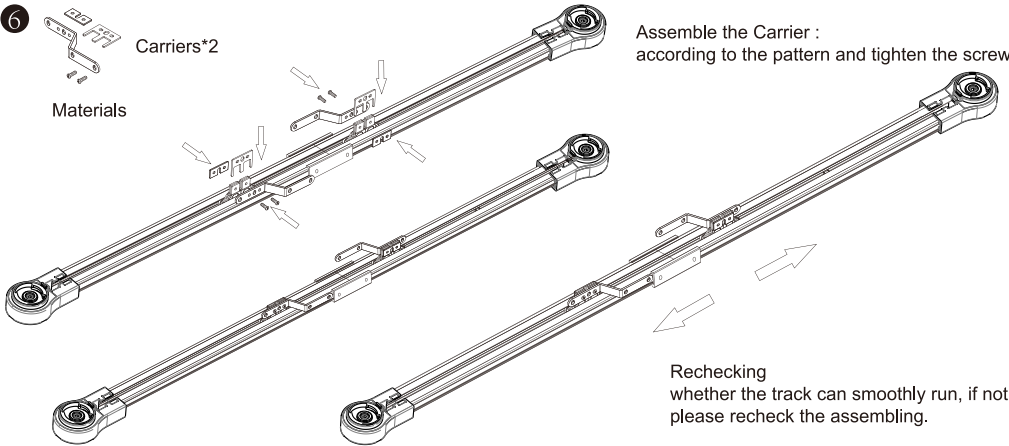
Assemble Center Opening

1. the belt across the center opening
2. fix the belt buckle on the end of belt
3. pass the carrier wheel through the track
4. make the center opening and track firmly

6

Materials

Carriers*2

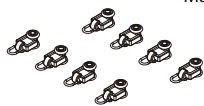


Assemble the Carrier : according to the pattern and tighten the screws.

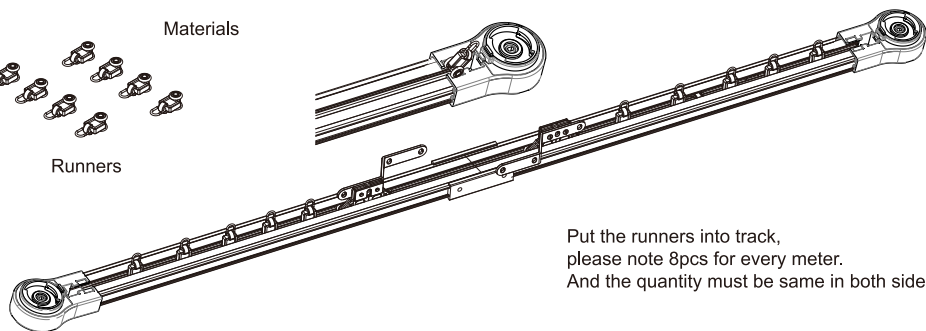
Rechecking whether the track can smoothly run, if not , please recheck the assembling.

7

Materials



Runners



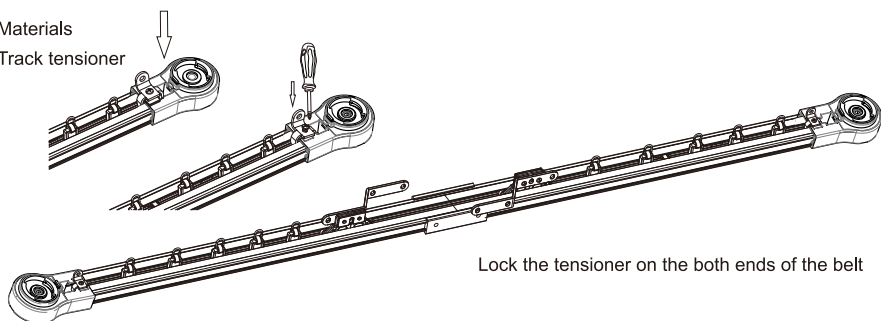
Put the runners into track,
please note 8pcs for every meter.
And the quantity must be same in both side.

8

Materials



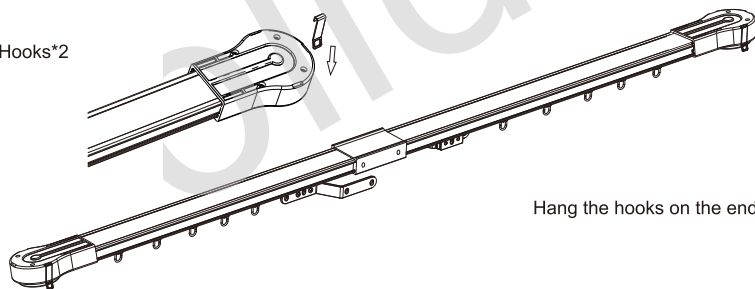
Track tensioner



Lock the tensioner on the both ends of the belt

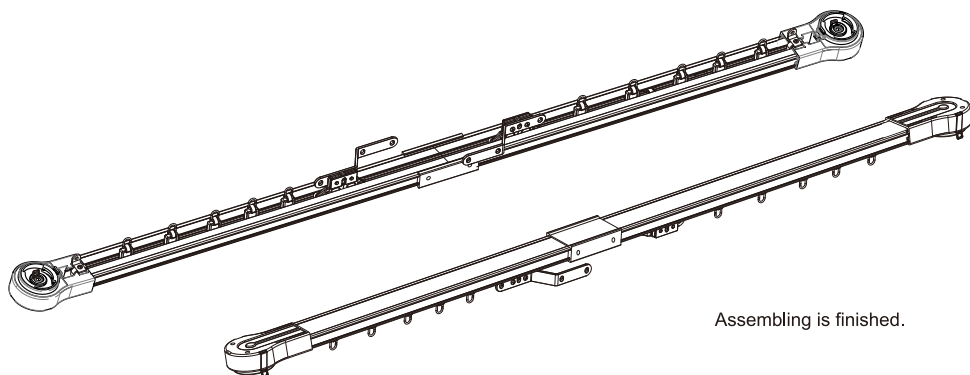
9

Hooks*2

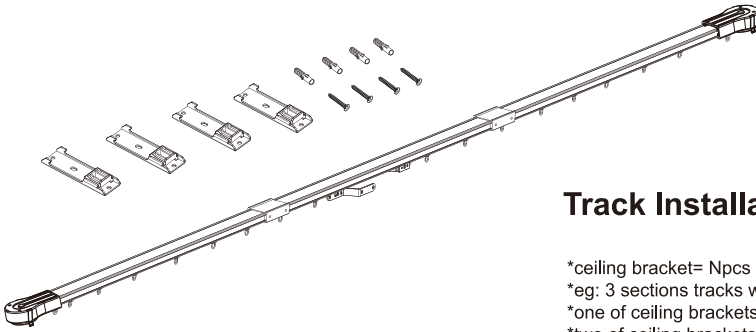


Hang the hooks on the ends of the track

10



Assembling is finished.



Track Installation Steps

*ceiling bracket= Npcs section+1pcs

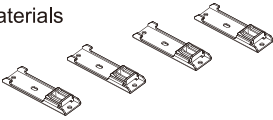
*eg: 3 sections tracks with 4 ceiling brackets

*one of ceiling brackets must be near to connection.

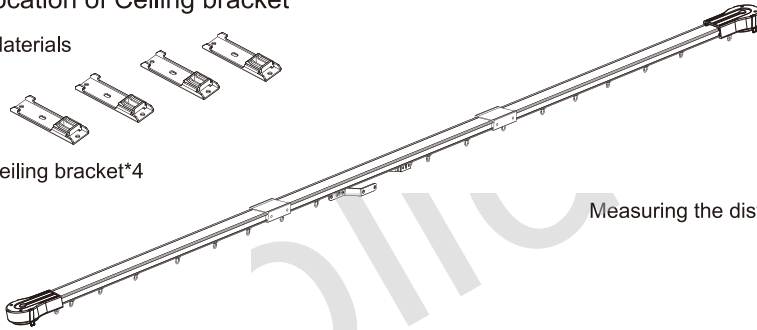
*two of ceiling brackets should be close to both opening.
3 sections track as an sample

1 Location of Ceiling bracket

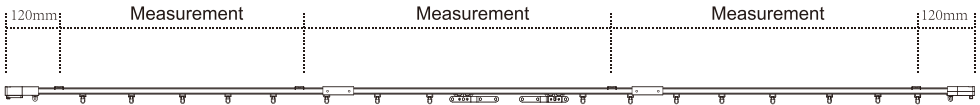
Materials



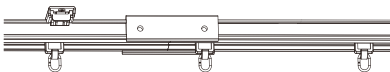
Ceiling bracket*4



Measuring the distance in advance

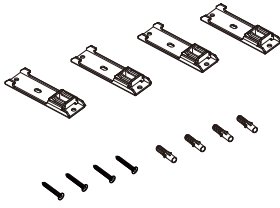


NOTE: One of the ceiling bracket must be near to the connection

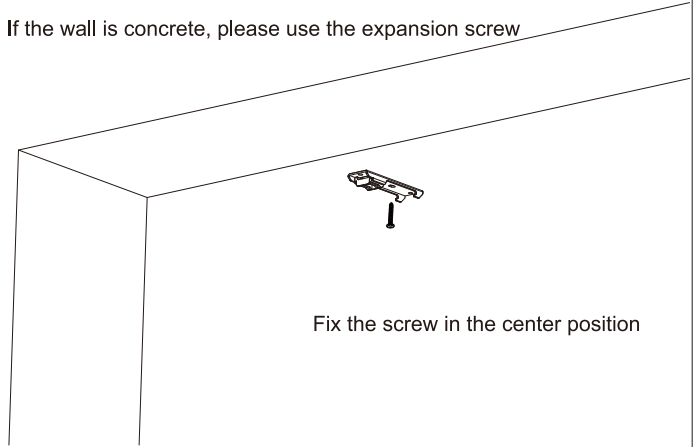


2 Fix the Ceiling bracket

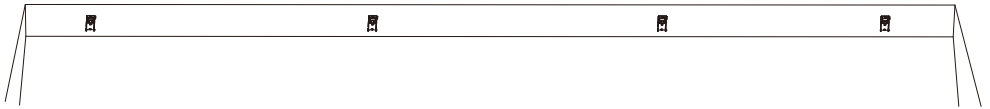
Ceiling bracket*4 & screws



If the wall is concrete, please use the expansion screw



Fix the screw in the center position

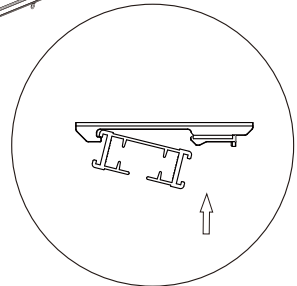
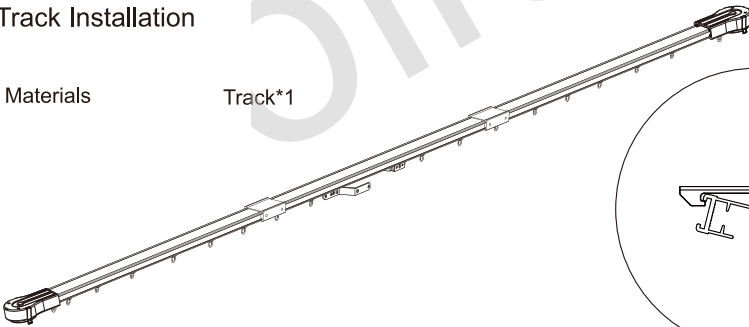


After determine the location, mounting the ceiling bracket

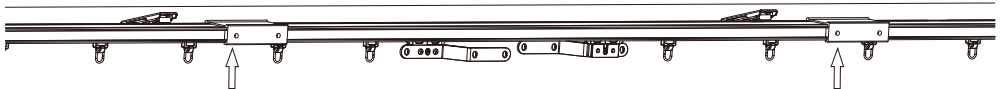
3 Track Installation

Materials

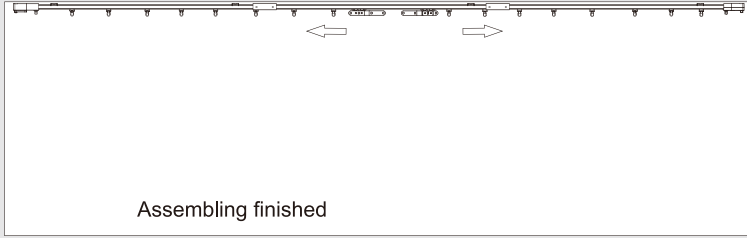
Track*1



Insert one side of the track, then push and make the track fully go into the ceiling bracket



4 TEST



NOTE:

1. recheck the carrier, whether the track can smoothly run, if not ,please recheck the assembling.
2. recheck the connections,keep the connections and track close.
3. the hook should face to the users,not to the wall.

Disassembly of track

Follow the steps

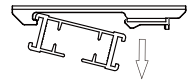


Original state

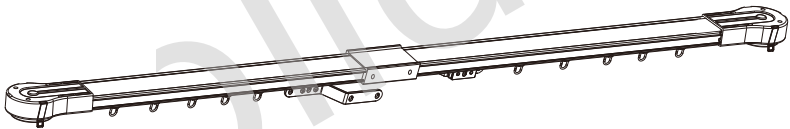


Slip the lock

Ceiling bracket lock



Take off the track



MOTOR

1 Materials

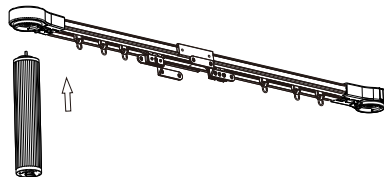
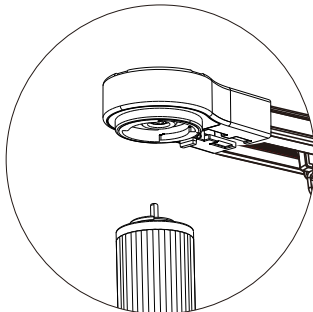


Motor



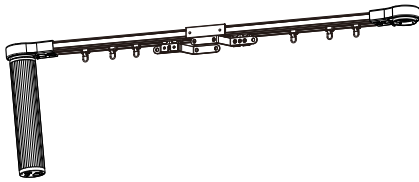
Track

Shaft & spigot



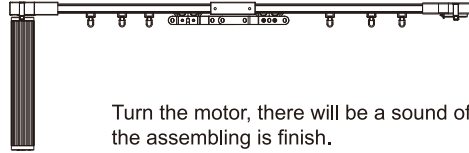
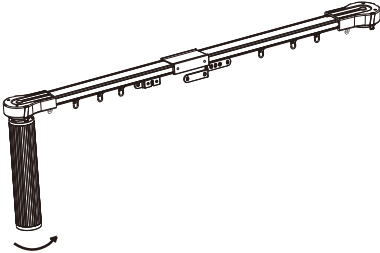
Match the motor with the spigot of the center opening

2



Complete matching

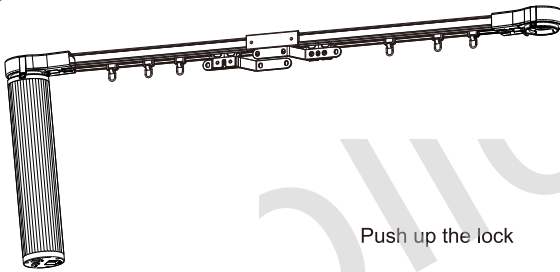
3



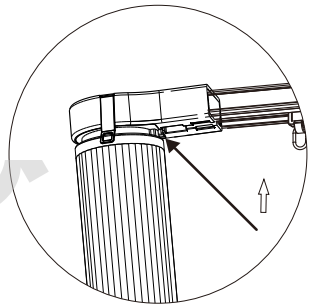
Turn the motor, there will be a sound of lock, the assembling is finish.

Disassembly of motor

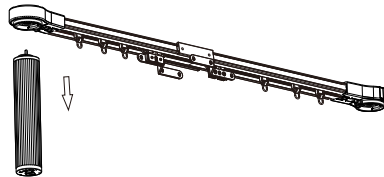
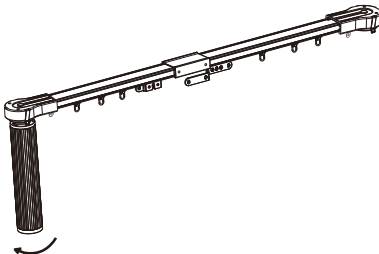
1



Push up the lock

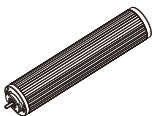


2

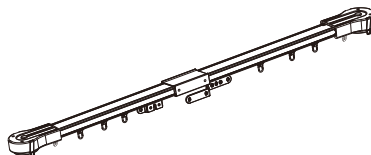


Turn the motor and take it off.

3



Motor

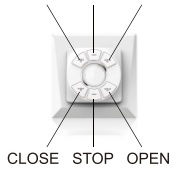


Track

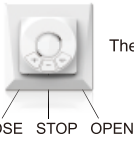
Disassembly is finished.

Emitters

CLOSE STOP OPEN



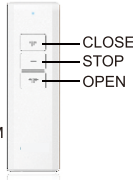
BE102



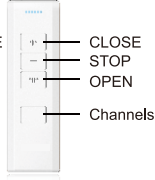
BE101



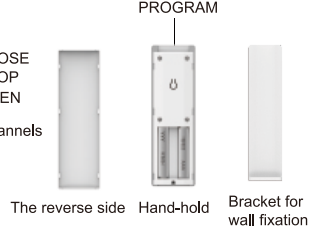
The mounting frame
The reverse side



BE201



BE206



The reverse side Hand-hold Bracket for wall fixation

Short press PROGRAM

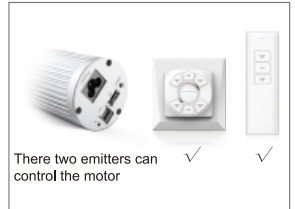
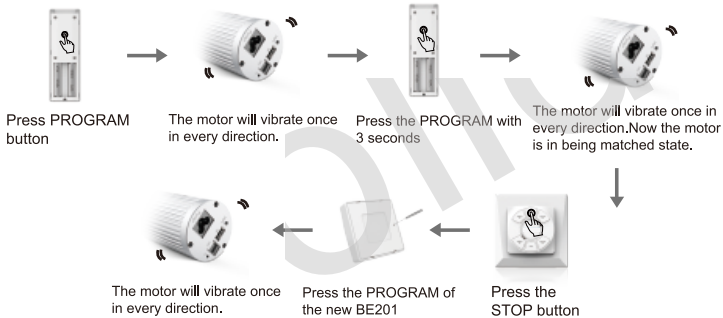


Code Matching

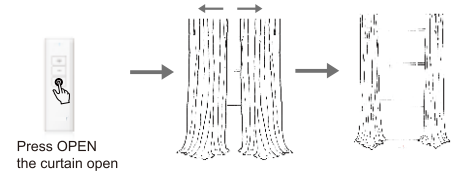
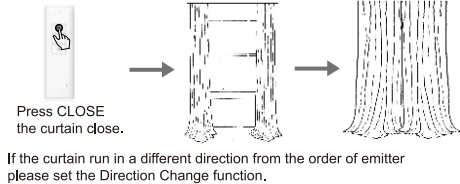
Motor have 2 methods for matching. Short press PROGRAM and Copy.

When the motor is in being matched state, users press the PROGRAM of a totally new emitter, the motor will vibrate once in every direction. Then the code matching of the new emitter is successful.

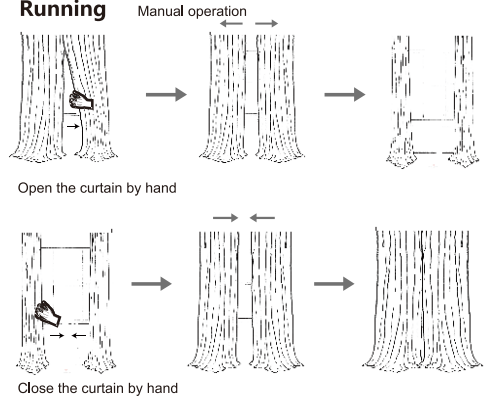
copy code



Control the curtain



Running



Close the Manual operation Function

Press the STOP & OPEN together till the motor vibrate. The Manual operation function is closed. Users pull the curtain by hand, but motor can not run. Repeat this operation, this function will restart.



Press the STOP & OPEN together

The motor will vibrate once in every direction

Open the Manual operation Function

Press the STOP & OPEN together till the motor vibrate. The Manual operation function is closed. User can pull the curtain by hand, and the motor can run also. Repeat this operation, this function will restart.



Press the STOP & OPEN together

Manual operation Function is opened

Setting the position

When powered on, the curtain will run without any setting. But motor will calculate the length in order to set the open&close position. And new position will replace the old one.



Short press setting key



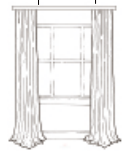
The motor will vibrate once in every direction



Press OPEN button



The motor vibrate once again.



Open position setting is finished.

The operation is same for setting the position of another direction

If the distance of two positions is less than 30cm, the setting is failed.

Delete the position



Short press setting key



The motor will vibrate once in every direction



Press STOP button



Press the arrow key to delete

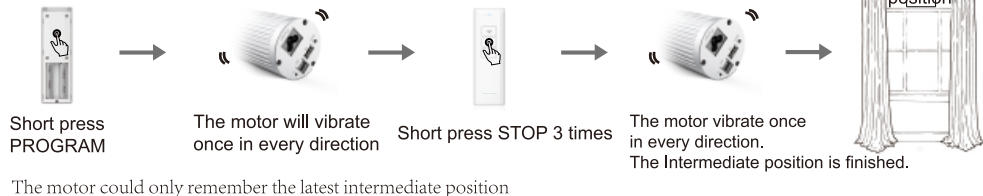


The motor will vibrate once in every direction



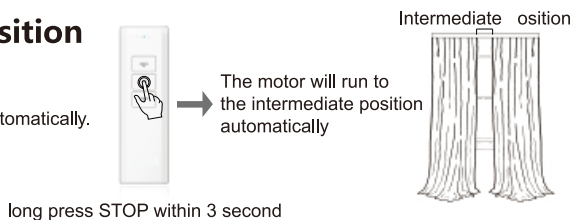
Deleting is finished.
The method is same for deleting the position in another direction

Intermediate position



Start the Intermediate position

Long press STOP within 3 seconds, the motor will run to the intermediate position automatically.

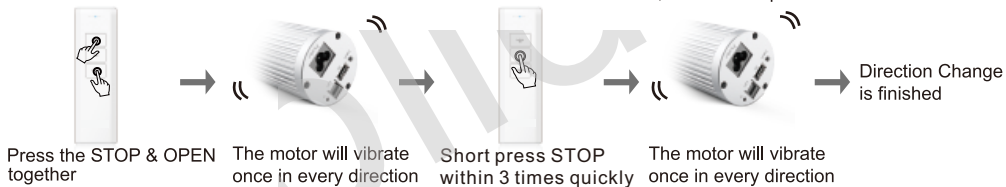


Delete Intermediate position

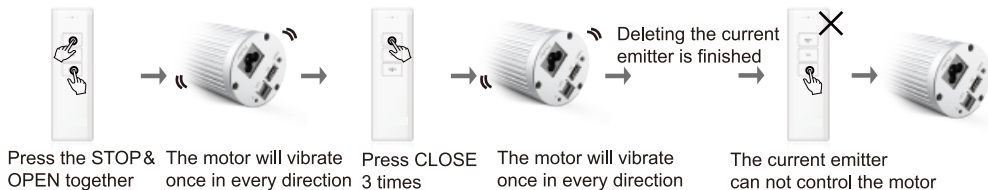
powered on again, all positions are deleted.

Direction Change

When the motor run in different direction which is not same as the emitter order, user could operate as follows:

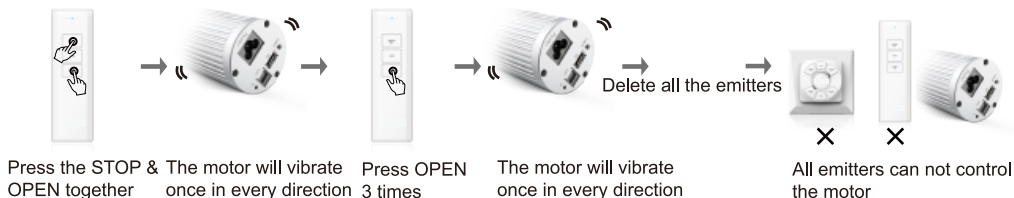


Delete the current emitter



Delete all emitters

Press OPEN and CLOSE together, the motor will vibrate. Then press OPEN 3 times, the motor vibrates again. Delete all emitters.



Factory reset After factory reset, the motor will lose all positions. At this time, the first manual function will be as the first choice .



Press STOP button



Short press PROGRAM



The motor will vibrate once in every direction



Short press STOP 7 times



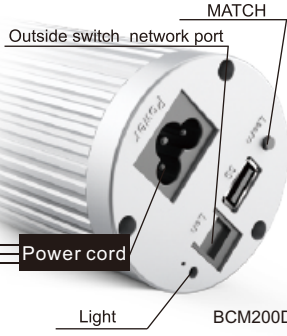
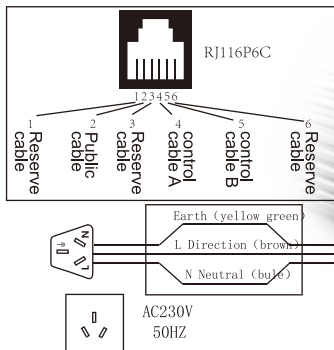
The motor will vibrate 3 time

All positions were lost and codes were deleted . At this time, the first manual function will be as the first choice .

NOTE:

1. When the motor stop running or finish the setting, the light will keep bright in 3 seconds.
2. after 4mins running , the motor will stop to protect.
3. if the motor is too hot, it will stop to protect. With the temperature dropping, the motor will restart.

RJ116P6C Connection



Manual switch (RJ11) note: manual switch is the default setting.



Press STOP and CLOSE together



The motor vibrate once in every direction. the manual switch function is started.

BCM200D Through this operation, motor will change the following manual switches in turn.

First Way

The switch is open when the motor is stop

Close K1 switch, and open K2 , curtains with open, and the motor stops running

Open K1 and K2 switch, the motor will stop running.

Open K1 switch, and close K2, the motor will stop (start) running.

Open K1 and K2 switch, the motor stops running.

Second Way

The switch is open when the motor is stop

Close K1 switch and open K2, the curtains open and the motor stops running.

Open K1 and K2 , the motor keeps running.

Close K1, and open K2 again, the motor stops running.

Open K1 and close K2, the motor stops running.

Open K1 and close K2, the motor keeps running.

Open K1, and close K2 again, the motor stops running.

Open K1 and K2, the motor stops running.

The Third Way

① and ② have the same function, take ① as the example

① When the motor stops running and K1 is opening, users close K1, the motor will stop running.

Open K1, motor keeps running. Close K1, motor will stop running.

Open K1, motor stops running. Close K1, the motor stops or starts

② Open K1, motor keeps running. Close K1, motor stops. Open K1, motor stops. Steps as a circle

PROBLEM & SOLUTION

- * **Not smoothly running:** adjust the screws of the connections.
- * **Motor stops running:** check the electricity and voltage
- * **Emitter :** check the battery and code matching.
- * **temperature protection:** the AC motor will stop with long-time running. But manual operation function is still available , also motor will remember the position.

Warranty card

With the warranty
Please keep the reservation

*User profiles

____ date ____ month _____ year

The user name		gender		age	
Correspondence address					
Contact number		postcode			
Buy time and location					
The purchase price		Sales order			
Name and specification		The fuselage serial number			
Signature of distributor		The user signature			

*The warranty

- Within three months from the date of goods sold, such as performance failures occur, the commodity itself and the outer packing must be kept intact, no scratch, can replace the same type of products, (subject to inspection), but not including artificial damage.
- The goods are guaranteed for three years from the date of sale, and the accessories are not covered by the warranty.
- The warranty service is only valid under normal use.
- All personal damage, self-disassembly, unsealing, improper use, etc. are not covered by warranty.
- The warranty shall be provided for this card, which fails to provide the card or the personal copy of this card, and the company shall have the right to handle the warranty.