

**CUSTOM SCUPPER ORDER FORM: U-SHAPED SCUPPER**

**Choose Dimensions**

A.

B.

C.

D.

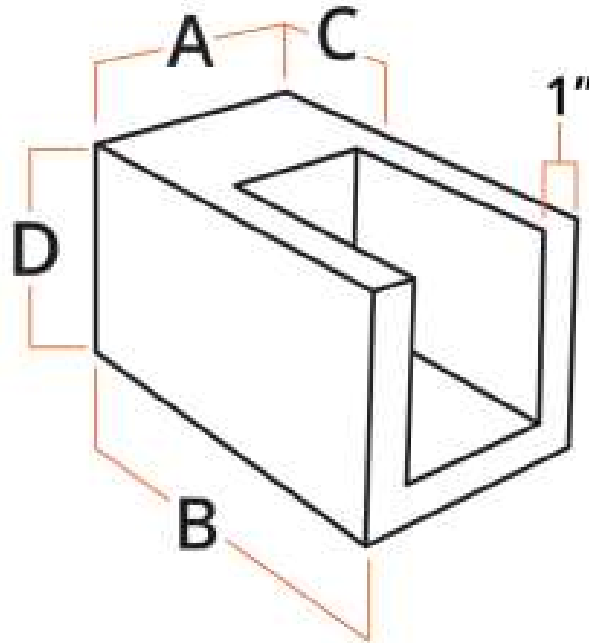
**Material**

- Patina Copper
- Raw Copper
- Stainless Steel

**Inlet Location**

- Back Side
- Bottom Side

Quantity:



**Shipping Information:**

Name: \_\_\_\_\_

Phone No.: \_\_\_\_\_

Shipping Address: \_\_\_\_\_

City: \_\_\_\_\_ State: \_\_\_\_\_

Zip Code: \_\_\_\_\_

Fill out the Custom Scupper form with the desired dimensions and information and email the filled form to us at [info@MajesticFountains.com](mailto:info@MajesticFountains.com). We will send you a quote. Upon approval of the quote and payment, custom scupper will be manufactured to requested dimensions. (Custom Products are not returnable)

Custom Scuppers have a manufacturing lead time of approximately 3 weeks.