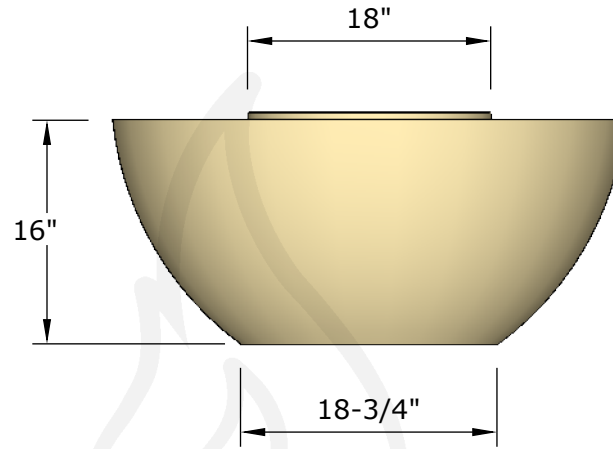
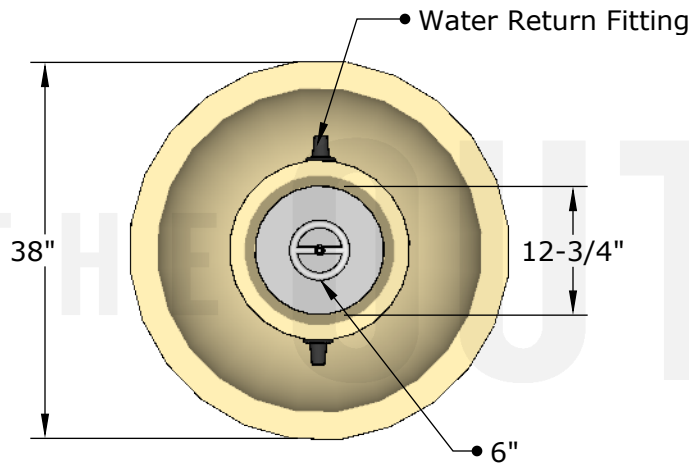


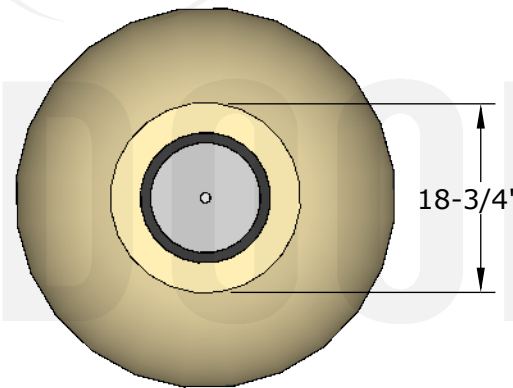
PERSPECTIVE



Side



TOP



Bottom



PRODUCT

Page Number	1 of 1
Author: Gabriel Estrada	07/06/18
Approved By: Gabriel Estrada	07/06/18

Part Number	OPT-38FW360
Material	GFRC Concrete
Finishes	Black, Ash, Gray, Limestone, Chocolate, Brown, Vanilla
Gas Type	NG or LP
Weight	320 Lbs
BTUs	55,000
Suggested Fire Glass	20 Lbs
Access Door	n/a

ITEM NO.	PART NUMBER	QTY.
1	OPT-158	1

Proprietary & Confidential: The information contained in this drawing is the sole property of **The Outdoor Plus**. Any reproduction or as a whole without written permission of **The Outdoor Plus** is prohibited.