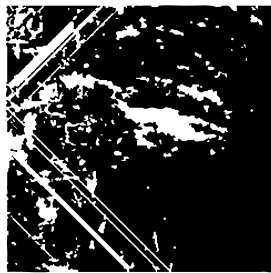
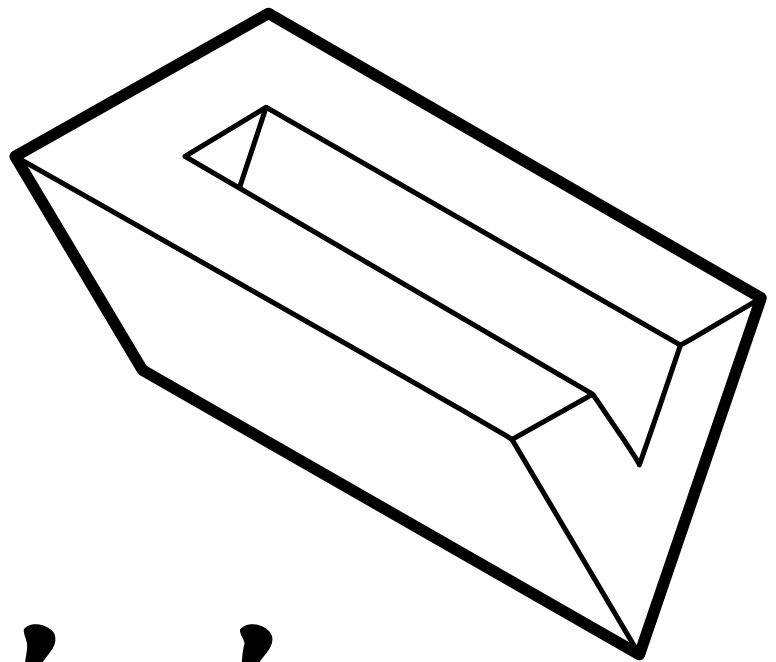
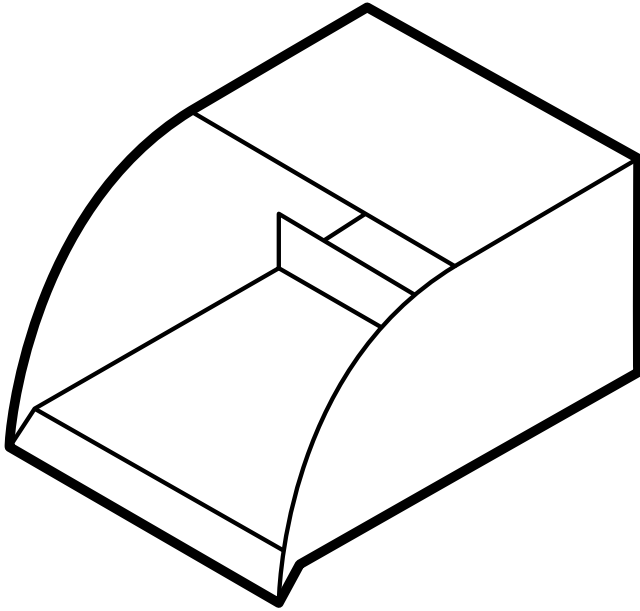




# SCUPPER WATER FEATURE INSTALLATION INSTRUCTIONS

SAVE THESE INSTRUCTIONS FOR FUTURE REFERENCE



# bobé

## WATER & FIRE FEATURES

### **IMPORTANT SAFETY INFORMATION: READ AND FOLLOW ALL INSTRUCTIONS**

Save these instructions. Leave manual with homeowner after installation.

Improper installation, adjustment, alteration, service, or lack of maintenance can cause injury or property damage. Read the installation, operating, & maintenance instructions thoroughly before installing or servicing this equipment.

# A. SPECIFICATIONS

## 1. PRODUCT DETAILS

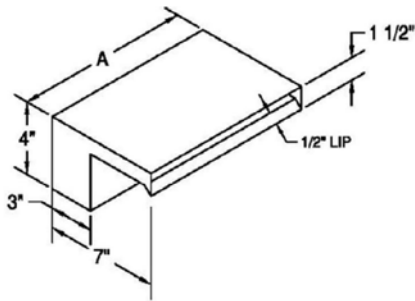
### BONDING LUG

- All scuppers come with a bonding lug on the back.
- This is a grounding lug used to ground the scupper

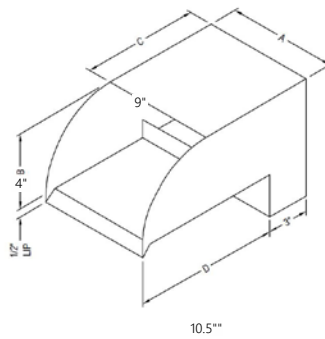
INLET: All scuppers are manufactured with a 1 1/2" NPT female inlet in the back

## 2. DIMENSIONS

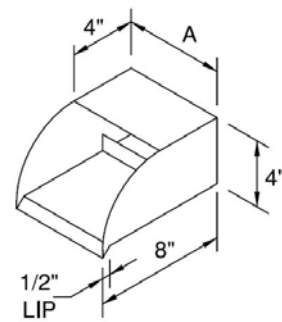
SMOOTH FLOW SCUPPER



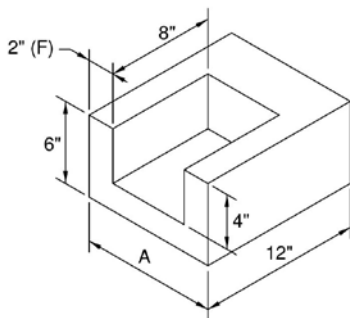
SMOOTH FLOW RADIUS SCUPPER



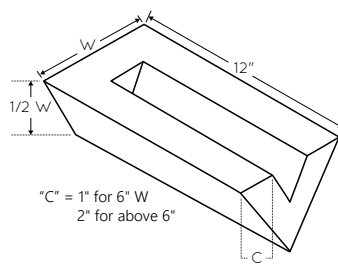
RADIUS SCUPPER



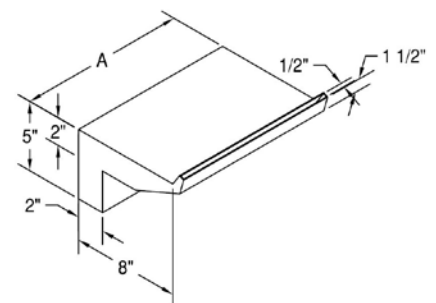
U-SHAPE SCUPPER



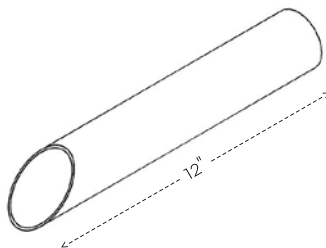
WEDGE SCUPPER



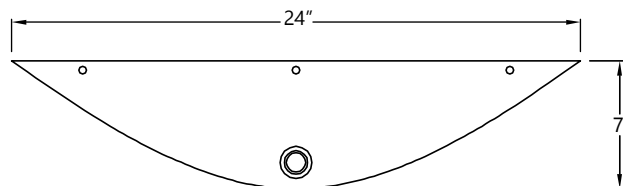
ARC SCUPPER



TUNNEL SCUPPER



WALL MOUNTED BOWL



## B. INSTALLATION

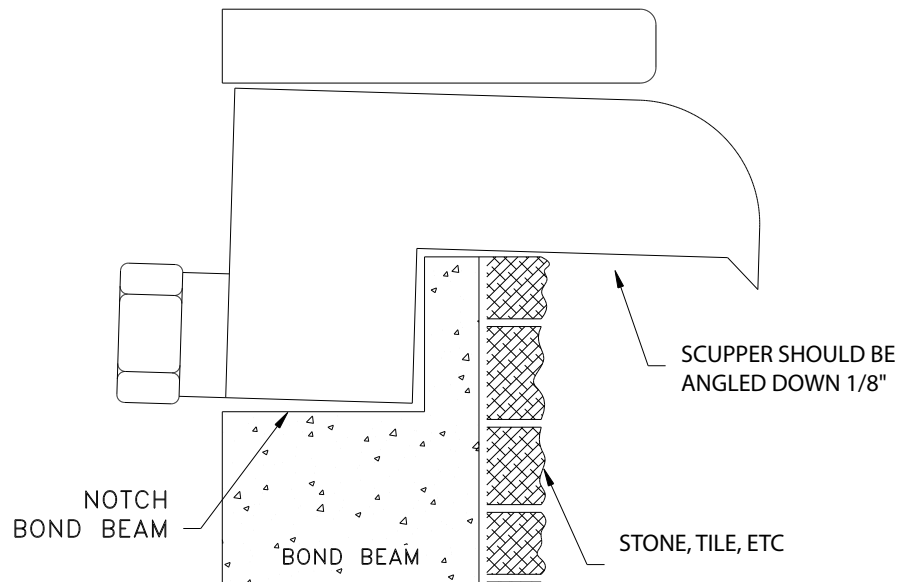


FIGURE 1

### 1. LEVELING

- All scuppers must be installed 1/8" OFF LEVEL down in the front
- This means the scupper should be pointed down towards the pool 1/8"
- This helps the water flow off the lip and reduces spill-back under the scupper

### 2. BOND BEAM

- Install either in the bond beam or on top
- If installing in the beam, notch out an extra 1" (one inch) around the scupper.
- The extra inch allows room for the scupper to be leveled at the final installation
- The steel pattern should be offset by 3" to the bottom and by 1" outside the length of the scupper.

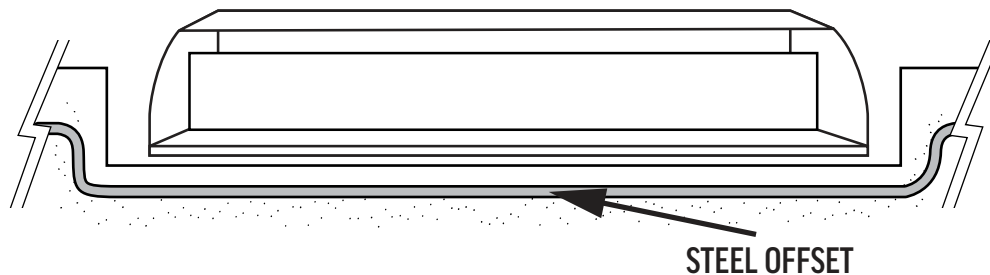


FIGURE 2

### 3. MASONRY FINISHING

- Ideally the scupper should be on site when the column or wall is being built.
- If the scupper is NOT on site, leave a 1" gap in the masonry to allow for leveling adjustments.

# D. PLUMBING

## 1. PLUMBING INSTALLATION

### a. RECOMMENDED PLUMBING

- Use multiple pumps when installing multiple water features.
- The dedicated pump should be plumbed with a minimum of 2" pvc pipe.
- VGB compliant suction covers must be used, and they must be installed 18" above the bottom of the pool.
- A filter strainer is required between the pump and the waterfall.

### b. BALANCING THE FLOW

- A 3-way valve is recommended after the pump to allow the flow to be regulated between the scupper and the pool return. The recommended location for this valve is after the filter near the equipment pad.
- When plumbing two or more scuppers, follow all of the previous instructions with the addition of a 2-way ball valve for each water feature. The valve is necessary to balance the water flow between the units. CMP ball valve part numbers are 25800-151-000 for 1½" and 25800-210-000 for 2".
- The dedicated pump should be plumbed with a minimum of 2" pvc pipe

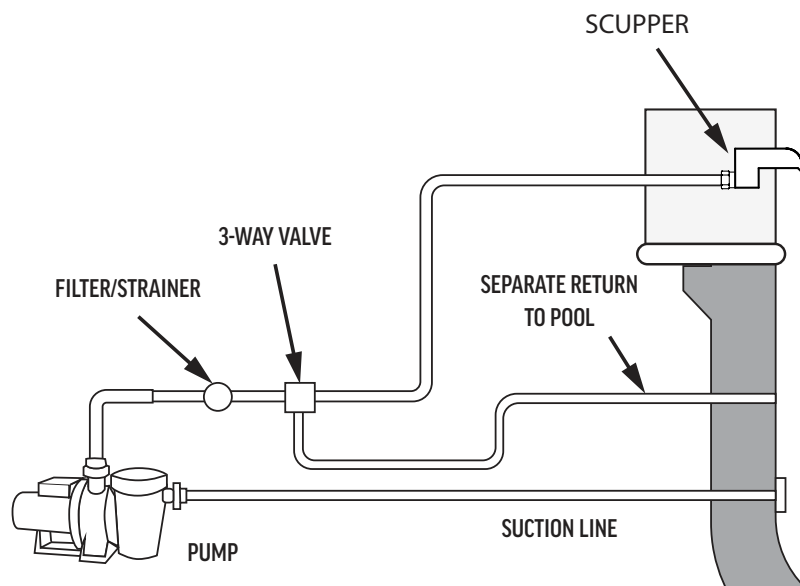


FIGURE 3

## 2. INLET PLUMBING

1. Single Inlet
  - a. Sizes below 24 inches wide have a single inlet
  - b. Plumb with a single ball valve for flow regulation (FIGURE 4)
2. Dual Inlet
  - a. 24 inch scuppers have two inlets
  - b. Plumb the two inlets into a Tee fitting with a ball valve before the Tee (FIGURE 4)
3. Multiple Inlets
  - a. 36 inch scuppers have three inlets
  - b. Scuppers with three inlets should be plumbed into a manifold to balance the flow. A ball valve should be plumbed inline before the manifold (FIGURE 4)

# D. PLUMBING

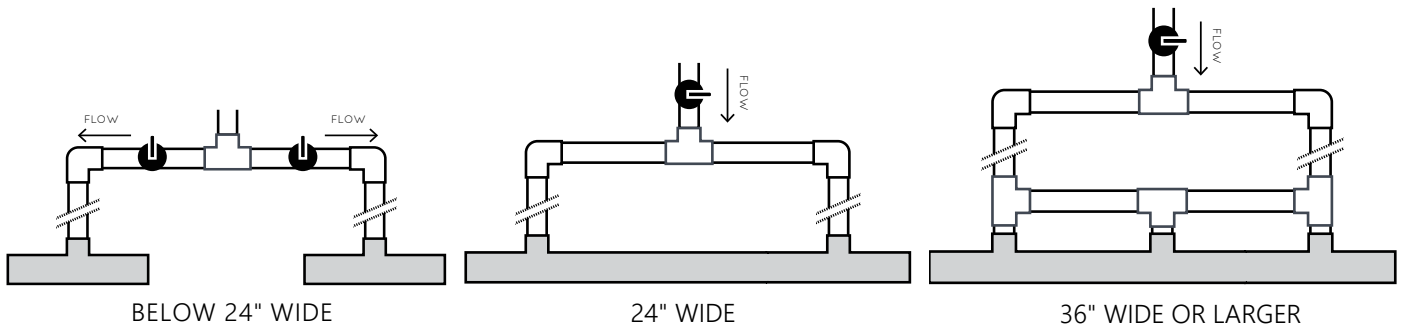


FIGURE 4

## 3. FLOW RATES

- Flow rates vary by product model and design
- Listed flow rates are per foot. (Example: 12" Radius Scupper is 15-20GPM, 24" Radius Scupper is 30-40GPM)
- Adjust the flow on site after installation with a valve to get the desired look at the water feature.

RADIUS	SMOOTH FL	SMOOTH RAD.	ARC	CANNON	TUNNEL	U-SHAPE	WEDGE	SLOT	BOWL	BOX
15-20 GPM	25-30 GPM	25-30 GPM	15-20 GPM	15-20 GPM	15-20 GPM	15-20 GPM	15-20 GPM	18-25 GPM	15-10 GPM	15-20 GPM

# E. MATERIAL CARE GUIDE

## COPPER

**PATINA:** Dark brown to green to blue. All copper products will patina. Patina is a natural process of oxidation where copper reacts to the elements and produces a series of colors that build up in order to protect the copper. The final color can vary widely depending on location, environment and other factors.

### WHAT COLOR WILL MY PRODUCT BE?

All products ship in their natural copper state. Depending on where they are stored or transported, patina may begin to develop. It is **very likely** the color may change between manufacture and delivery and will continue to patina after installation. Copper can be cleaned after installation to reset the patina process.

### CLEANING

- Patina color may vary from piece to piece, even when delivered on the same day. If you prefer to restore the material after installation, a cleaning solution such as TarnX® may be used.
- Hand Prints/Water Spots: Products develop hand prints from handling or water stains from water testing. The natural patina process will cover up the markings as the whole piece begins to darken.

## STAINLESS STEEL

### PATINA

Stainless steel does not develop a patina.

### CLEANING

- Stainless steel is steel that is "stain-less" however, this DOES NOT MEAN THAT STAINLESS STEEL WILL NEVER RUST OR CORRODE. Stainless steel can show water spots and deposits of minerals or other natural substances that appear, orange, white and/or brown. We suggest regular cleaning, at least once a month.
- Use distilled, soft or purified water (preferably warm) while cleaning and as a last rinse. Dry with a soft cloth.
- General maintenance and/or light buildup can be done with a soft cloth. Windex works well if you want to remove water spots. Otherwise a mild soap or vinegar (1 part vinegar to 3 parts water) will remove light buildup.
- Try to go in the direction of the natural polishing grains
- Heavier build-up can be cleaned using very fine red Scotch-Brite™ cleaning pads.
- In many cases, cleaning over time will greatly reduce reappearance of build-up.

### SALTWATER

Stainless steel is not warranted for use in or around salt water. Our products are made of 316 marine grade Stainless Steel. . Stainless steel can get water spots and stainless steel can get deposits of minerals or other natural substances that appeared, white and/or brown. If this happens you'll need to clean the areas each time the build up occurs and after 3-6 cleanings the problem areas should be free of any build up returning.

# SAVE THESE INSTRUCTIONS

**Record Information on this System Below & Keep for Your Records**

Installer \_\_\_\_\_

Purchased From \_\_\_\_\_

Installation Date \_\_\_\_\_

Model Number \_\_\_\_\_

Pool Size in Gallons \_\_\_\_\_

## **Customer Service & Tech Support**

Toll Free: 1-800-733-9060

[support@c-m-p.com](mailto:support@c-m-p.com)

## **Warranty Questions**

[bobecare@c-m-p.com](mailto:bobecare@c-m-p.com)

## **Support Resources & Videos Online**

[c-m-p.com/support](http://c-m-p.com/support)

