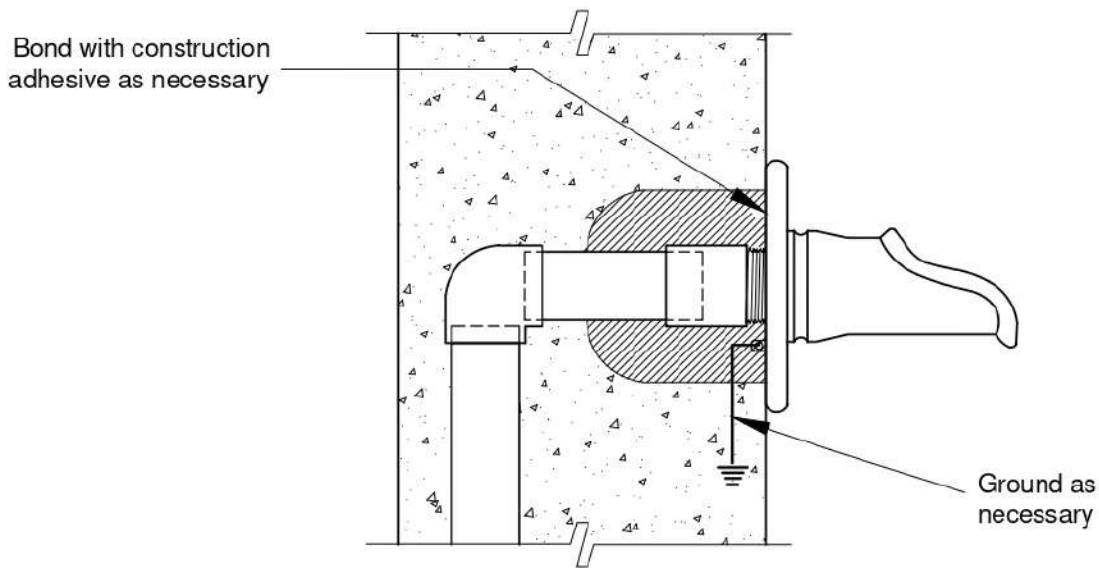
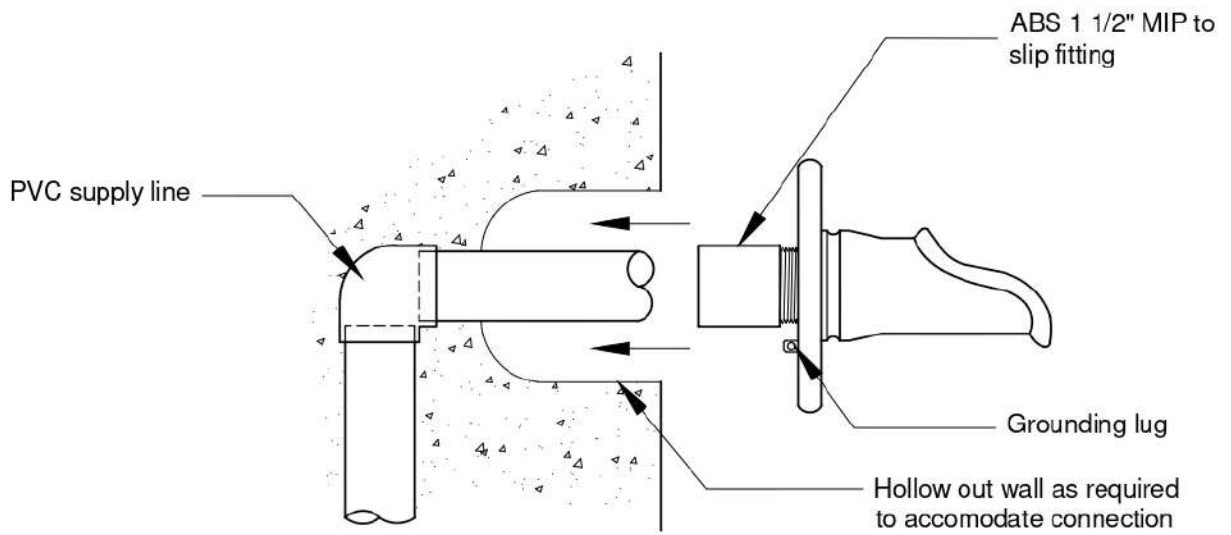


Scupper Installation Manual



NOTE:

This drawing is only a guide to be used in planning the placement and layout of the scupper. When laying out the final location of the plumbing and mounting studs, use the exact piece that will be installed.