

CUSTOM SCUPPER ORDER FORM: RAINFALL SCUPPER

Choose Dimensions

A.

B.

C.

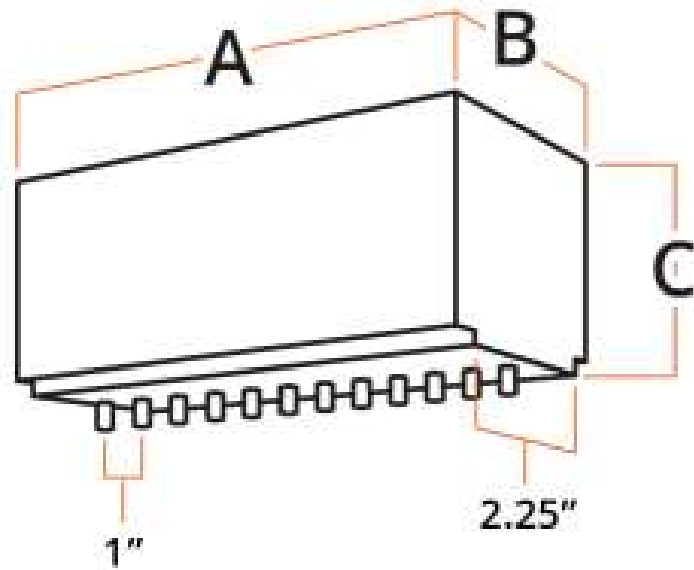
Material

- Patina Copper
- Raw Copper
- Stainless Steel

Inlet Location

- Short Side
- Long Side

Quantity:



Shipping Information:

Name: _____

Phone No.: _____

Shipping Address: _____

City: _____ State: _____

Zip Code: _____

Fill out the Custom Scupper form with the desired dimensions and information and email the filled form to us at info@MajesticFountains.com. We will send you a quote. Upon approval of the quote and payment, custom scupper will be manufactured to requested dimensions. (Custom Products are not returnable)

Custom Scuppers have a manufacturing lead time of approximately 3 weeks.