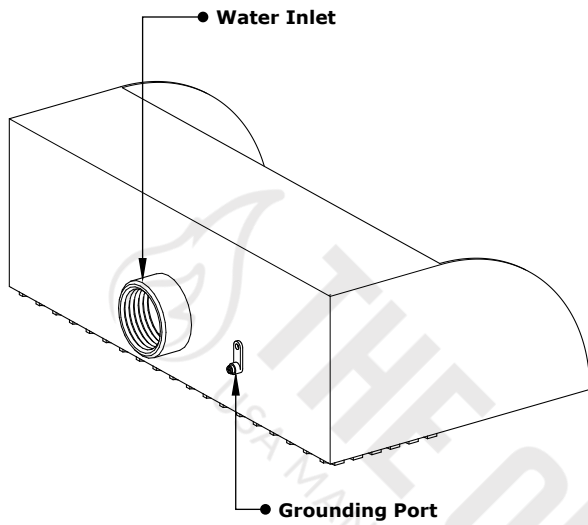
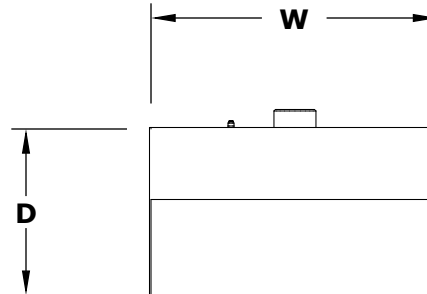


SMOOTH FLOW RADIUS STYLE SCUPPER

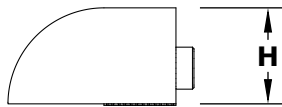
STAINLESS STEEL / COPPER



ISOMETRIC VIEW



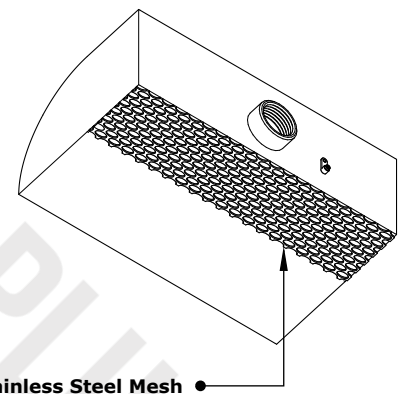
TOP VIEW



RIGHT SIDE VIEW



FRONT SIDE VIEW



BOTTOM ISOMETRIC VIEW

PART NUMBER	W	H	D	Inlets
OPT-RSE8	8"	4"	7"	1 Inlet
OPT-RSE12	12"	4"	7"	1 Inlet
OPT-RSE24	24"	4"	7"	2 Inlets
OPT-RSE36	36"	4"	7"	3 Inlets
OPT-RSE48	48"	4"	7"	4 Inlets

Scupper Material: 316 Stainless Steel / Copper

Drawn By	Murguia M.
Date Created	August 6, 2021

Proprietary & Confidential: The information contained in this drawing is the sole property of **The Outdoor Plus**. Any reproduction or as a whole without written permission of **The Outdoor Plus** is prohibited.