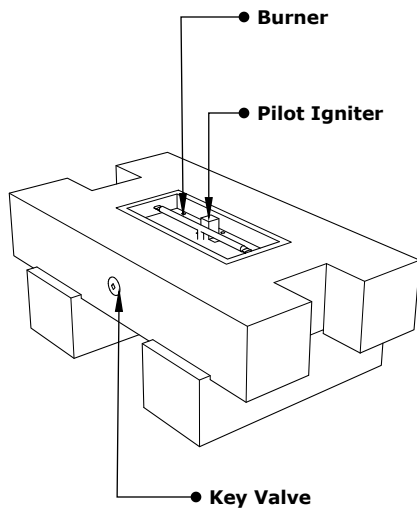
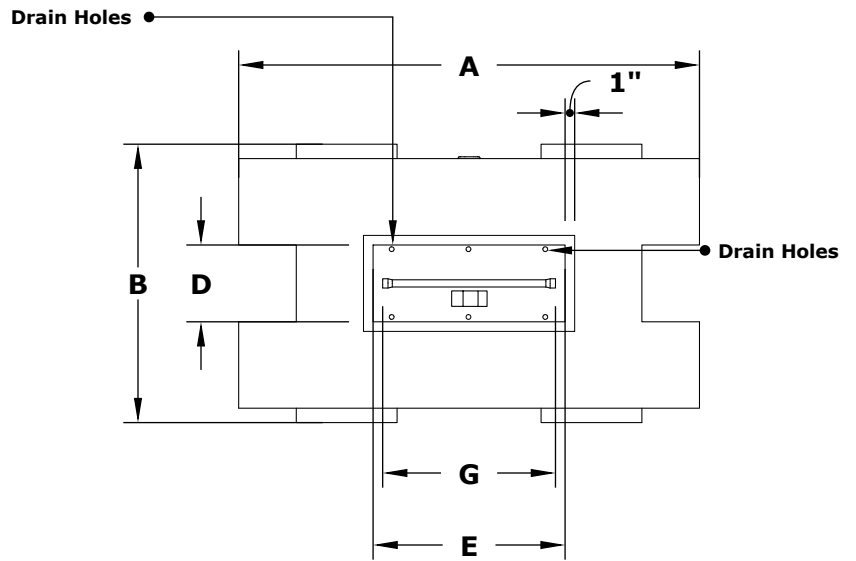


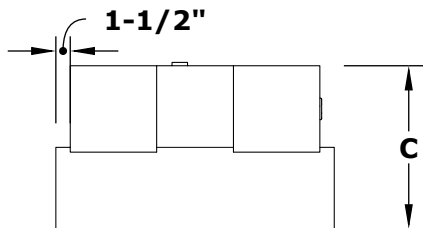
**Palo FIRE PIT**  
**GFRC CONCRETE**



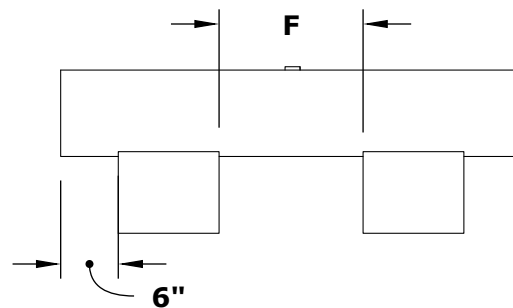
**ISOMETRIC VIEW**



**TOP VIEW**



**RIGHT SIDE VIEW**



**FRONT SIDE VIEW**

PART NUMBER	A	B	C	D	E	F	G	BTU
OPT-PAL48	48"	29"	17"	8"	20"	15"	18"	20,000
OPT-PAL48EKIT	48"	29"	17"	8"	20"	15"	18"	20,000
OPT-PAL60	60"	29"	17"	8"	32"	27"	24"	25,000
OPT-PAL60EKIT	60"	29"	17"	8"	32"	27"	24"	25,000

Fire Pit Material: GFRC Concrete  
 Pan Material: 304 Stainless Steel  
 Burner Material: 304 Stainless Steel

Standard 1" Flange on all pans  
 Standard 2" Depth on all pans

**110V ELECTRONIC IGNITION**  
 ANSI Z21.97-(2017) / CSA 2.41-(2017)



Match Lit Unit Includes: Pan, Burner, Gas Orifice, Gas Hoses, Key Valve, Key,  
 110v Ignition Unit Includes: Pan, Burner, Gas Orifice, Gas Hoses, Key Valve, Key, Plug & Play Electronic Valve, Pilot Igniter.