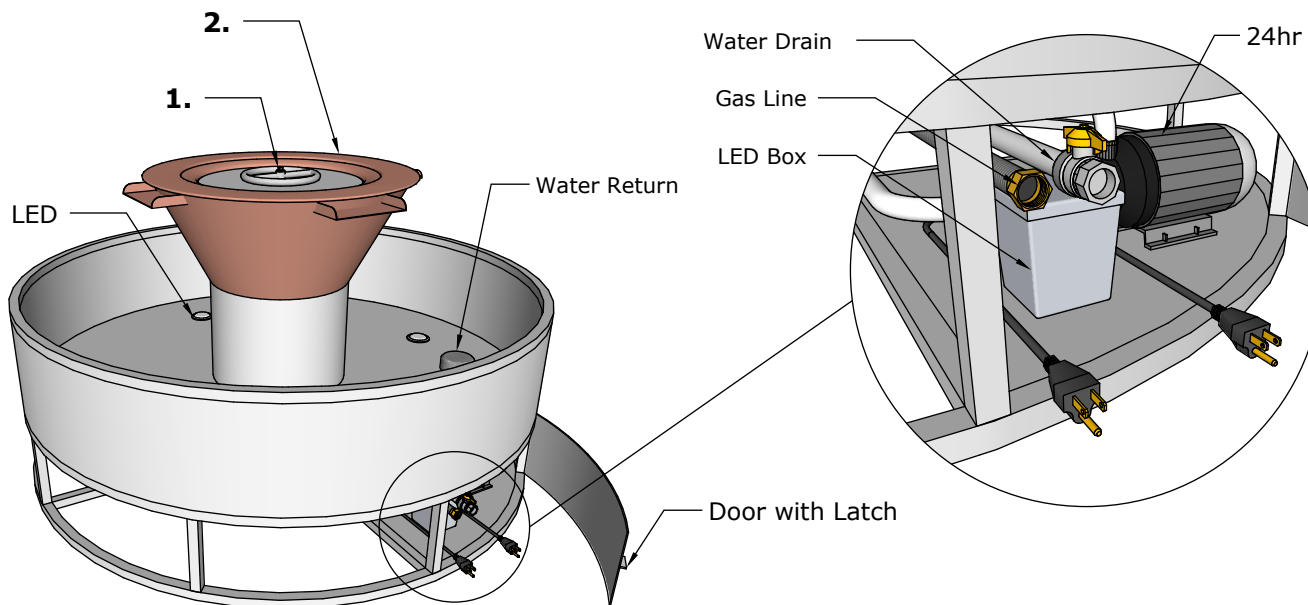




THE **OUTDOOR** PLUS

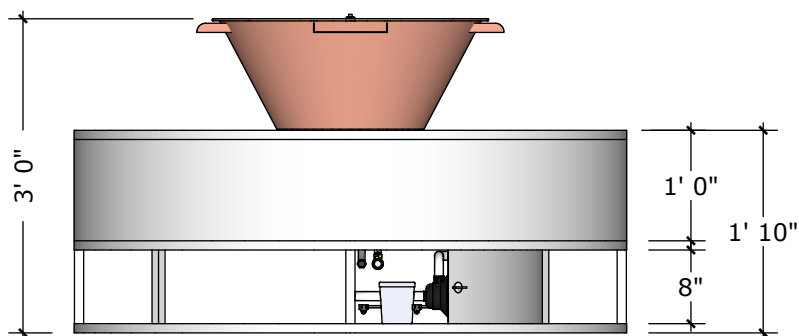
235 East Main St
 Ontario CA 91761
 Office: (909) 460-5579



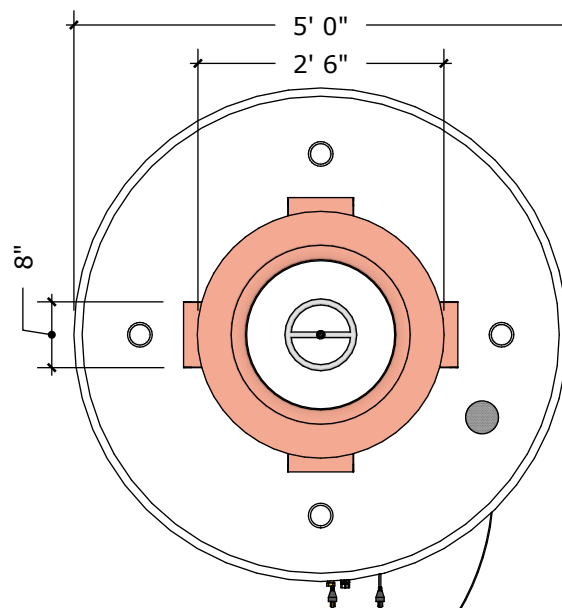
Name	Olympian - 4-way
Part #	OPT-OLR60
Author	GE

Material	316 Stainless Steel
Finish	Powder Coated
Gas Type	NG or LP
GPM	45-60
BTUs	65,000
Sugg. Fire Glass	50LBS

#	Part Number	Qty.
1	OPT-159	1
2	OPT-OPT-4W30	1



TOP



SIDE

Proprietary & Confidential: The information contained in this drawing is the sole property of **The Outdoor Plus**. Any reproduction or as a whole without written permission of **The Outdoor Plus** is prohibited.