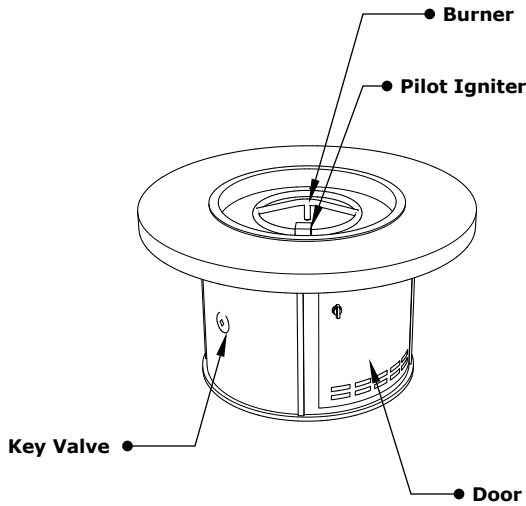
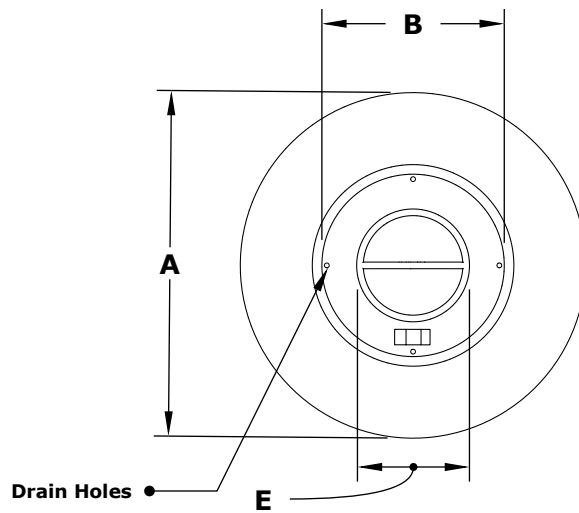


# MABEL FIRE TABLE

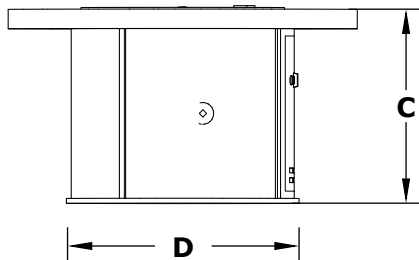
Corten Steel, Stainless Steel, Powder Coat, Hammered Copper



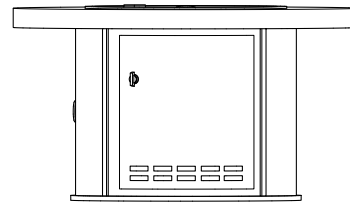
ISOMETRIC VIEW



TOP VIEW



RIGHT SIDE VIEW



FRONT SIDE VIEW

Corten Steel	Stainless Steel	Powder Coat	Hammered Copper	A	B	C	D	E	BTU
OPT-MABCS36	OPT-MABSS36	OPT-MABPC36	OPT-MABCPR36	36"	19"	20"	24"	12"	65,000
OPT-MABCS48	OPT-MABSS48	OPT-MABPC48	OPT-MABCPR48	48"	19"	20"	30"	12"	65,000
OPT-MABCS60	OPT-MABSS60	OPT-MABPC60	OPT-MABCPR60	60"	25"	20"	42"	18"	65,000

Fire Pit Material: Various Metals  
 Pan Material: 304 Stainless Steel  
 Burner Material: 304 Stainless Steel

Standard 1" Flange on all pans  
 Standard 2" Depth on all pans

**110V ELECTRONIC IGNITION**  
 ANSI Z21.97-(2017) / CSA 2.41-(2017)



Match Lit Unit Includes: Pan, Burner, Gas Orifice, Gas Hoses, Key Valve, Key,  
 110v Ignition Unit Includes: Pan, Burner, Gas Orifice, Gas Hoses, Key Valve, Key, Plug & Play Electronic Valve, Pilot Igniter.

**Proprietary & Confidential:** The information contained in this drawing is the sole property of **The Outdoor Plus**. Any reproduction or as a whole without written permission of **The Outdoor Plus** is prohibited.