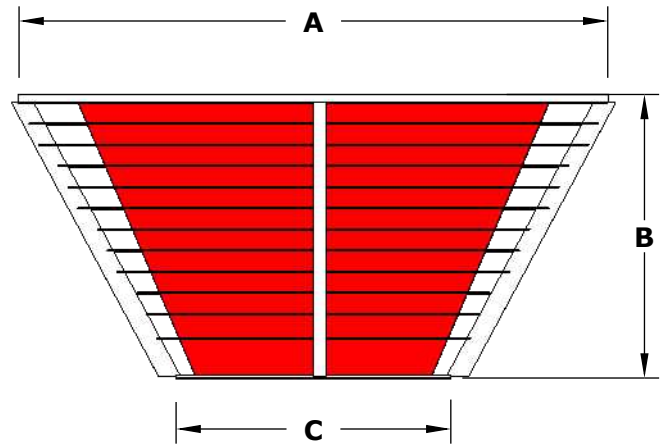
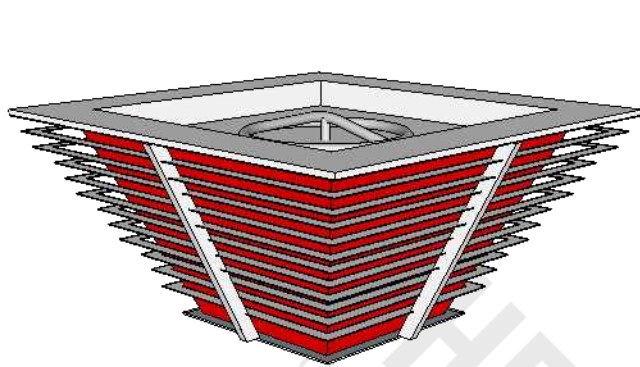
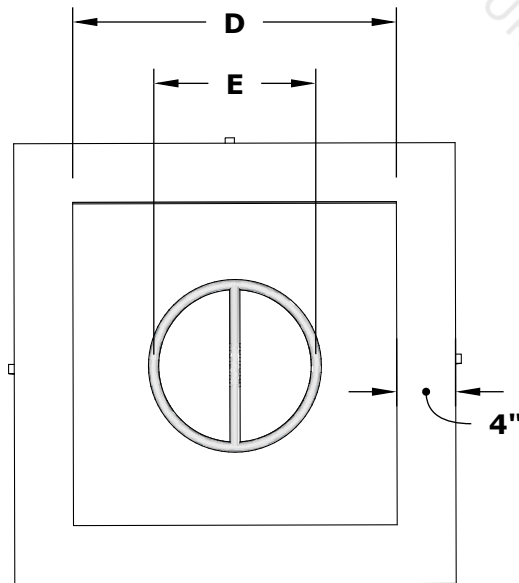


**LIGHTHOUSE SERIES**  
**The Royal LED Fire Bowl**  
 Powder Coat

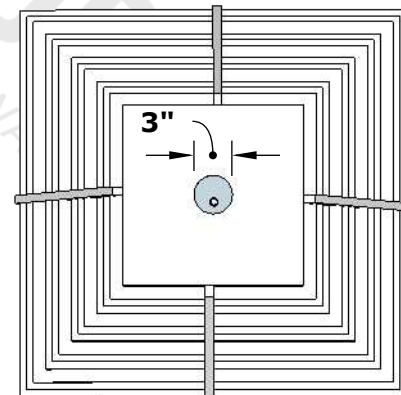


**ISOMETRIC VIEW**

**TOP VIEW**



**RIGHT SIDE VIEW**



**FRONT SIDE VIEW**

PART NUMBER	A	B	C	D	E	BTU
OPT-LHFORYLPC24	24"	14"	14"	16"	8"	45,000
OPT-LHFORYLPC30	30"	14"	20"	22"	8"	45,000
OPT-LHFORYLPC36	36"	14"	26"	28"	12"	65,000

Fire Pit Material: Powder Coat  
 Pan Material: 304 Stainless Steel  
 Burner Material: 304 Stainless Steel  
 Standard 2" Depth on all pans  
**12V ELECTRONIC IGNITION**  
 ANSI Z21.97-(2017) / CSA 2.41-(2017)



Match Lit Unit Includes: Pan, Burner, Gas Orifice, Gas Hoses,  
 12v Ignition Unit Includes: Pan, Burner, Gas Orifice, Gas Hoses, 12V Electronic Valve, Pilot Igniter, Transformer.

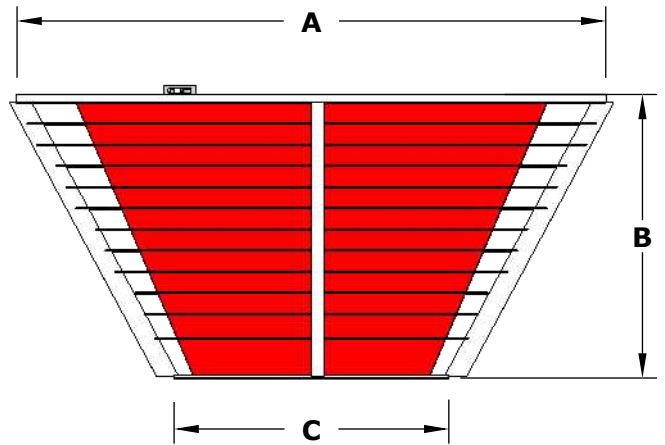
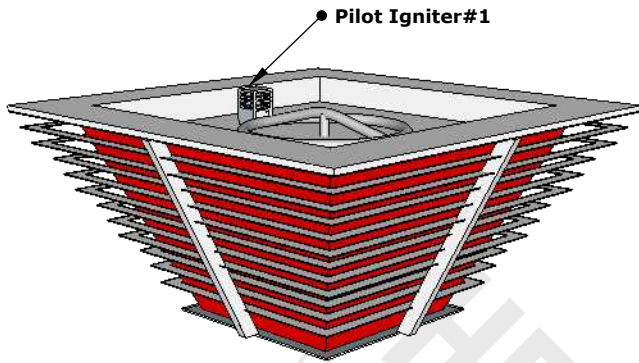
*Proprietary & Confidential:* The information contained in this drawing is the sole property of **The Outdoor Plus**. Any reproduction or as a whole without written permission of **The Outdoor Plus** is prohibited.

# LIGHTHOUSE SERIES

## The Royal LED Fire Bowl - 12V Electronic Ignition

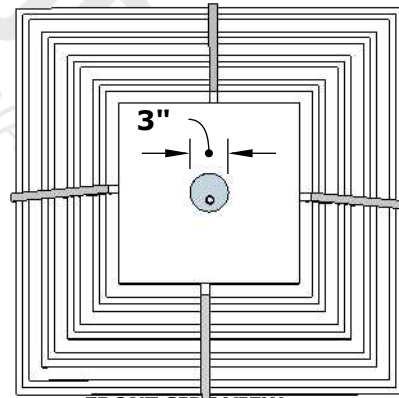
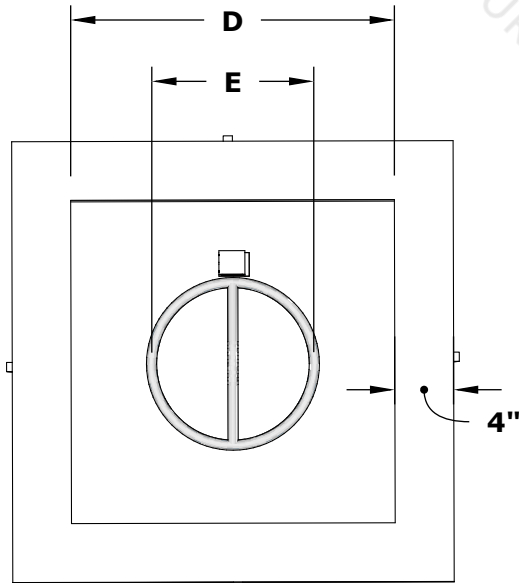
Powder Coat

**THE OUTDOOR PLUS**  
USA MANUFACTURER OF FIRE & WATER FEATURES



ISOMETRIC VIEW

TOP VIEW



RIGHT SIDE VIEW

FRONT SIDE VIEW

PART NUMBER	A	B	C	D	E	BTU
OPT-LHFORYLPC24E12V	24"	14"	14"	16"	8"	45,000
OPT-LHFORYLPC30E12V	30"	14"	20"	22"	8"	45,000
OPT-LHFORYLPC36E12V	36"	14"	26"	28"	12"	65,000

Fire Pit Material: Powder Coat  
Pan Material: 304 Stainless Steel  
Burner Material: 304 Stainless Steel  
Standard 2" Depth on all pans  
**12V ELECTRONIC IGNITION**  
ANSI Z21.97-(2017) / CSA 2.41-(2017)



Match Lit Unit Includes: Pan, Burner, Gas Orifice, Gas Hoses,  
12v Ignition Unit Includes: Pan, Burner, Gas Orifice, Gas Hoses, 12V Electronic Valve, Pilot Igniter, Transformer.

*Proprietary & Confidential:* The information contained in this drawing is the sole property of **The Outdoor Plus**. Any reproduction or as a whole without written permission of **The Outdoor Plus** is prohibited.