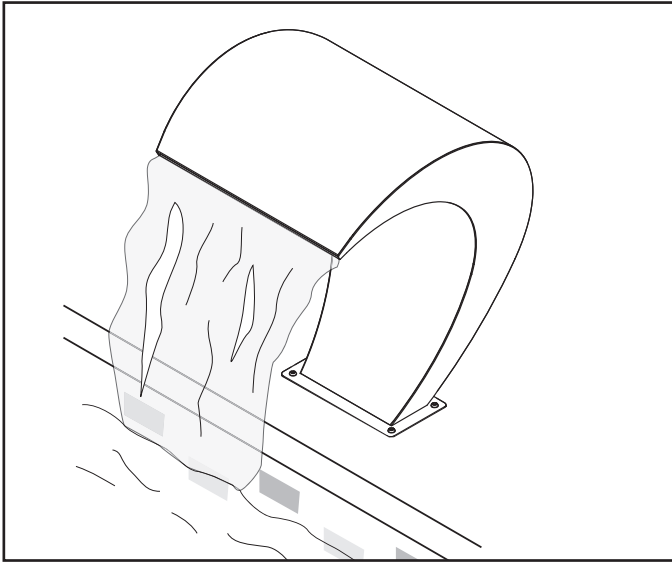




**GRAND EFFECTS®**  
FIRE & WATER ELEMENTS



## **Grand Effects®** **Freestanding Waterfalls** **Installation and Operation**

### **⚠ WARNING**

**FOR YOUR SAFETY** - This product must be installed and serviced by a contractor who is licensed and qualified in pool equipment by the jurisdiction in which the product will be installed where such state or local requirements exist. The maintainer must be a professional with sufficient experience in pool equipment installation and maintenance so that all of the instructions in this manual can be followed exactly. Before installing this product, read and follow all warning notices and instructions that accompany this product. Failure to follow warning notices and instructions may result in property damage, personal injury, or death. Improper installation and/or operation may void the warranty.

**ATTENTION INSTALLER** - This manual contains important information about the installation, operation and safe use of this product. This information should be given to the owner/operator of this equipment.

# Table of Contents

## Contents

<b>Section 1. Important Safety and Maintenance Instructions .....</b>	<b>3</b>
<b>Section 2. General Description .....</b>	<b>4</b>
2.1 Product Overview .....	4
2.2 Product Contents.....	4
2.3 Technical Information .....	5
<b>Section 3. Installing the Grand Effects® Freestanding Waterfalls .....</b>	<b>6</b>
3.1 Preparing the Waterfall for Installation .....	6
3.2 Water Requirements .....	7
3.3 Installing the Waterfall .....	7
<b>Section 4. Dimensions.....</b>	<b>12</b>

## **Section 1. Important Safety and Maintenance Instructions**

**IMPORTANT SAFETY INSTRUCTIONS PERTAINING TO A RISK OF FIRE OR INJURY TO PERSONS.**

**IMPORTANT MAINTENANCE INSTRUCTIONS PERTAINING TO THE CARE AND WARRANTY OF THIS PRODUCT.**

**READ AND FOLLOW ALL INSTRUCTIONS**

When installing and using this equipment, basic safety and maintenance precautions should always be followed, including the following:

### **WARNING**

Before installing this waterfall, read and follow all warning notices and instructions accompanying this waterfall. Failure to follow safety warnings and instructions can result in severe injury, death, or property damage. Visit [www.fluidra.com](http://www.fluidra.com) for additional free copies of these instructions or call Fluidra Technical Support at 800.822.7933 (U.S.) or Grand Effects at 949.697.5270

### **ATTENTION INSTALLER**

This manual contains important information about the installation, operation and safe use of this product. This information should be given to the owner/operator of this equipment.

### **ATTENTION HOMEOWNER**

Read and follow the instructions in the accompanying Stainless Steel Care Guide. Failure to do so may void the warranty.

**SAVE THESE INSTRUCTIONS**

## Section 2. General Description

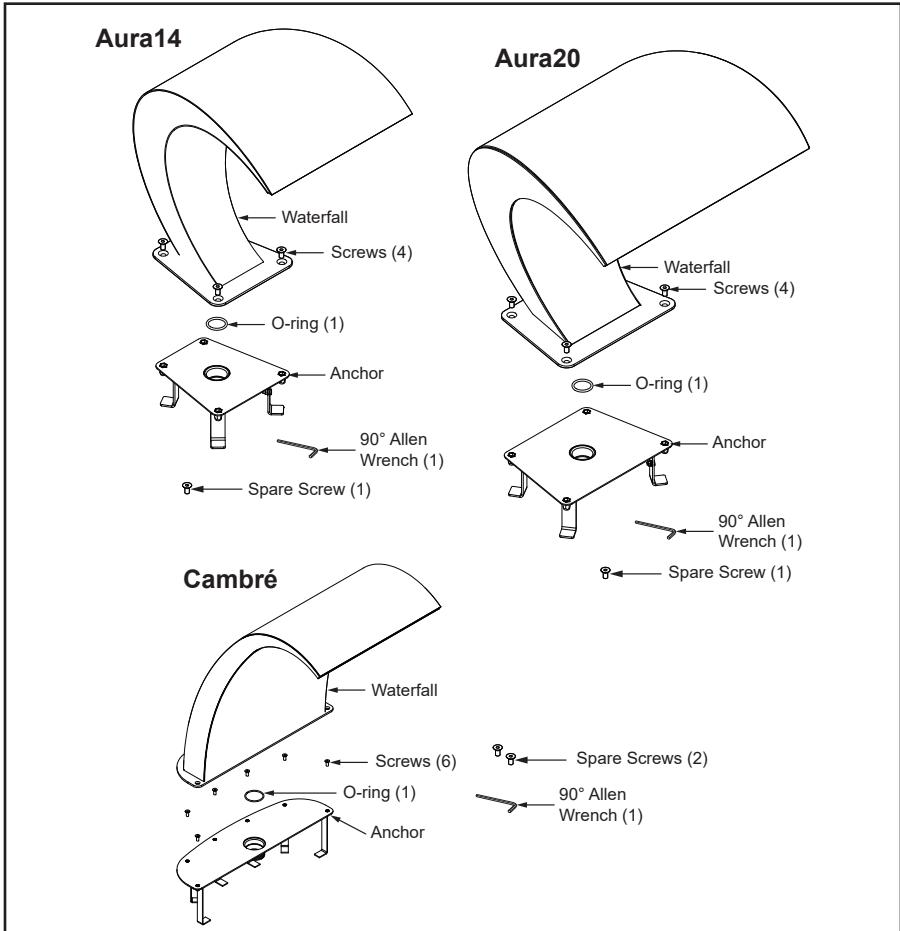
### 2.1 Product Overview

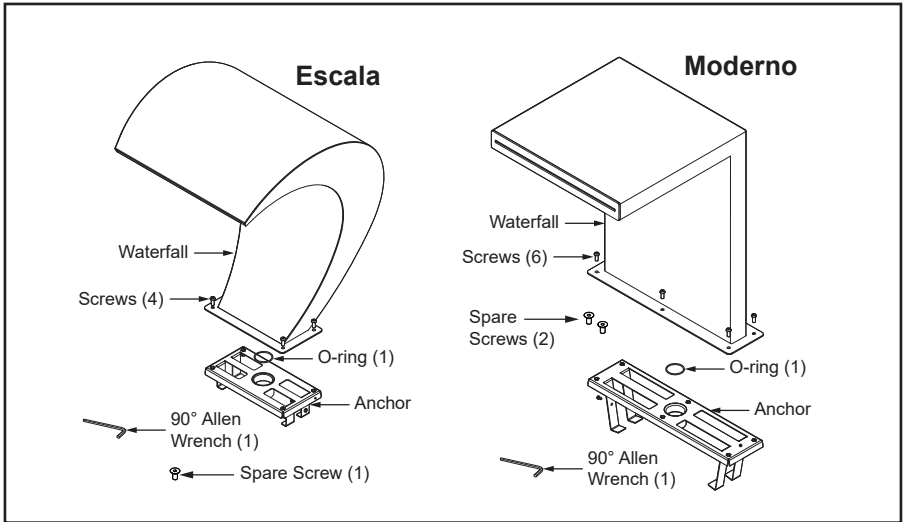
This manual provides instructions for installing and replacing Grand Effects® Freestanding Waterfalls.

#### **⚠ CAUTION**

Grand Effects Freestanding Waterfalls are not serviceable and therefore contain no serviceable parts. In order to prevent risk of property damage and/or injury, no service should be attempted to the waterfall in the event of a malfunction.

### 2.2 Product Contents





Model	Part Number	Anchor	Hardware
Aura14	WFAURA14	Included	Anchor Screws (4), O-ring (1), Allen Wrench (1), Spare Screw (1)
Aura20	WFAURA20	Included	Anchor Screws (4), O-ring (1), Allen Wrench (1), Spare Screw (1)
Escala	WFESCALA	Included	Anchor Screws (4), O-ring (1), Allen Wrench (1), Spare Screw (1)
Cambré	WFCAMBRE	Included	Anchor Screws (6), O-ring (1), Allen Wrench (1), Spare Screws (2)
Moderno	WFMODERNO	Included	Anchor Screws (6), O-ring (1), Allen Wrench (1), Spare Screws (2)

### 2.3 Technical Information

Model	Part Number	Fitting	Water Flow (gpm)
Aura14	WFAURA14	1-1/2"	53
Aura20	WFAURA20	1-1/2"	79
Escala	WFESCALA	2"	62
Cambré	WFCAMBRE	2-1/2"	150
Moderno	WFMODERNO	2"	44

## Section 3. Installing the Grand Effects® Freestanding Waterfalls

### 3.1 Preparing the Waterfall for Installation

Metallic equipment, including metallic gas piping, shall be bonded in accordance with the National Electrical Code in the US, and Canadian Electrical Code in Canada.

#### **BONDING**

In the United States the National Electrical Code® (NEC®) and in Canada the Canadian Electrical Code (CEC), require that all metallic components of a pool structure, including reinforcing steel, metal fittings and above ground components be bonded together (forming an equipotential bonding grid) with a solid copper conductor not smaller than an 8 AWG (6 AWG in Canada).

Additionally, Fluidra requires that, as required by Article 680 of the NEC, the appliance be properly connected to an equipotential bonding grid/loop that includes all electrical equipment in the system and on the equipment pad. Bonding lugs must be connected with a solid copper wire at least 8 AWG (6 AWG in Canada) or larger. Failure to do so may void the Fluidra warranty.

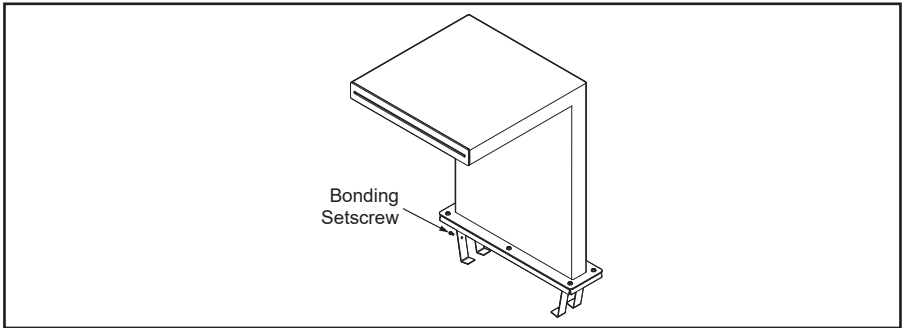
#### **CAUTION**

To prevent premature failure of the appliance resulting from stray voltages and voltage differentials, the stainless steel waterfall must be bonded to other equipment which is part of the pool plumbing system with a solid copper wire not smaller in diameter than 8 AWG (6 AWG in Canada).

#### **BONDING A METAL WATERFALL (COPPER OR ALUMINUM)**

**Note:** The Waterfall anchor contains a bonding lug on one of its legs.  
See Figure 1.

1. Loosen the setscrew.
2. Insert the bond wire into the hole.
3. Tighten the setscrew until the bond wire is secured into place.
4. Run the free end of the bond wire to the nearest equipotential bonding grid/loop that includes all electrical equipment in the system and on the equipment pad.



**Figure 1. Bonding on Freestanding Waterfall**

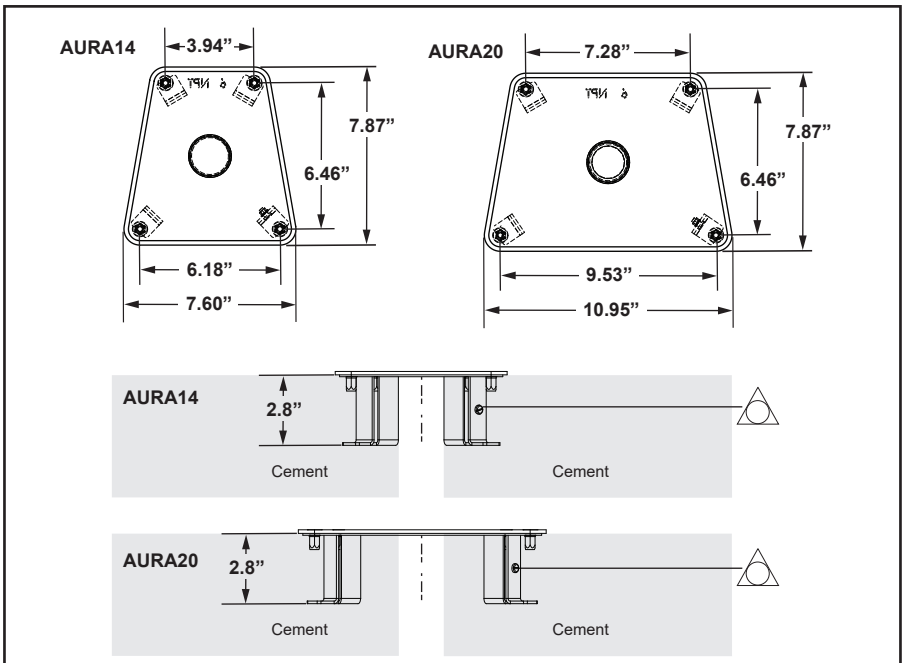
### 3.2 Water Requirements

See water flow column in Section 2.3 Technical Information.

### 3.3 Installing the Waterfall

- For all waterfalls, install the anchor at the height of the top of the deck and connect the bonding cable to the anchor by wrapping the bonding wire around the bonding lug. See Figures 2 through 6.

**NOTE:** Be careful not to remove the protective film from the anchor.



**Figure 2. Aura Waterfall Anchor Installation**

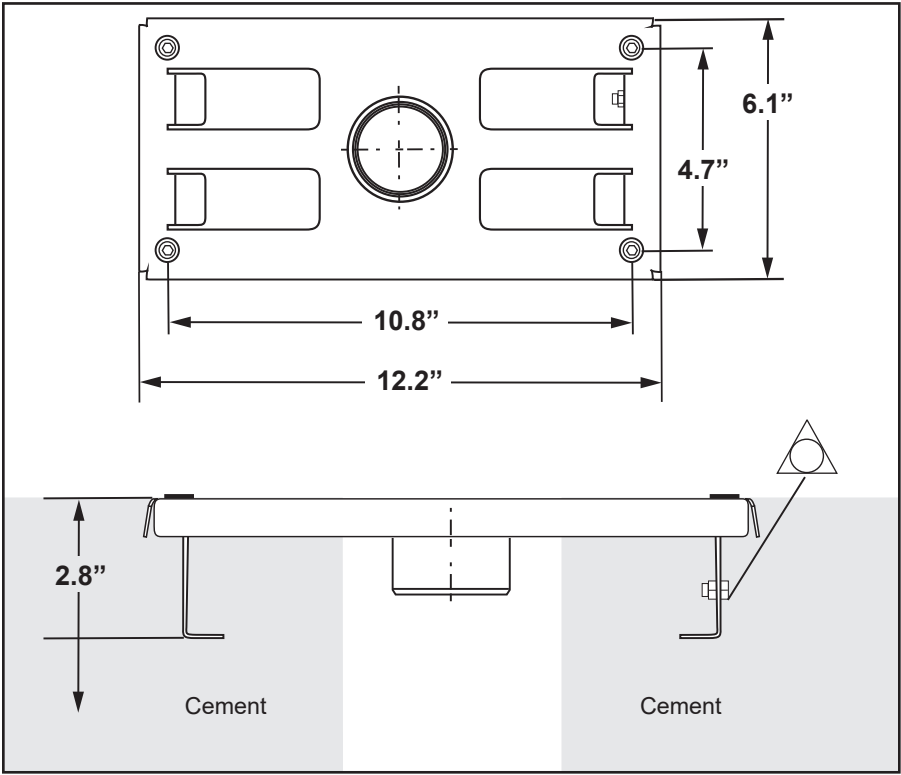


Figure 3. Escala Waterfall Anchor Installation

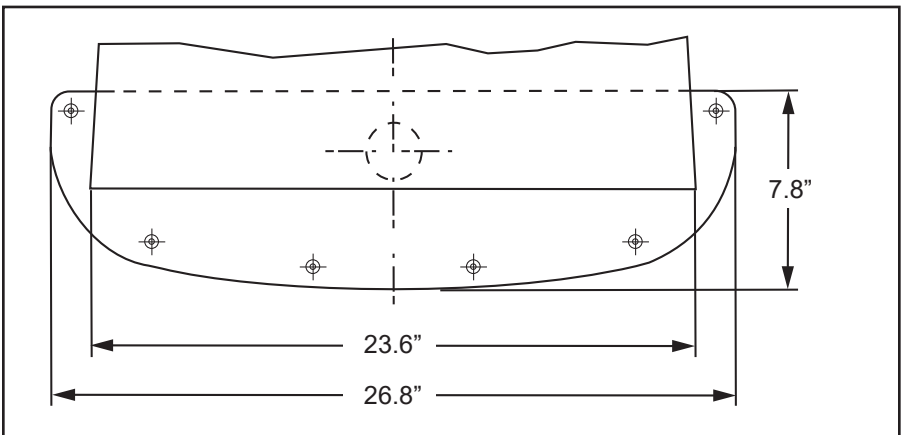


Figure 4. Cambré Waterfall Footprint Dimensions



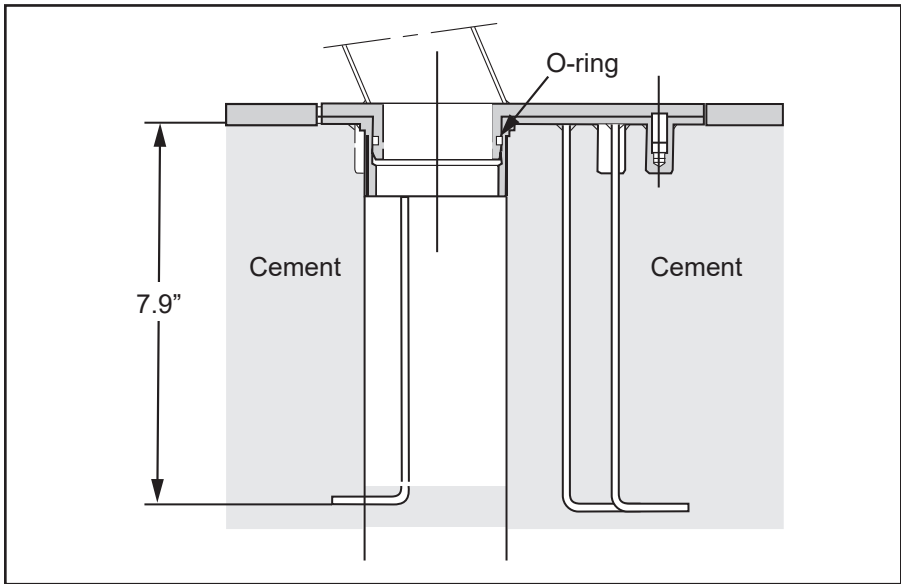


Figure 5. Cambré Waterfall Anchor Installation

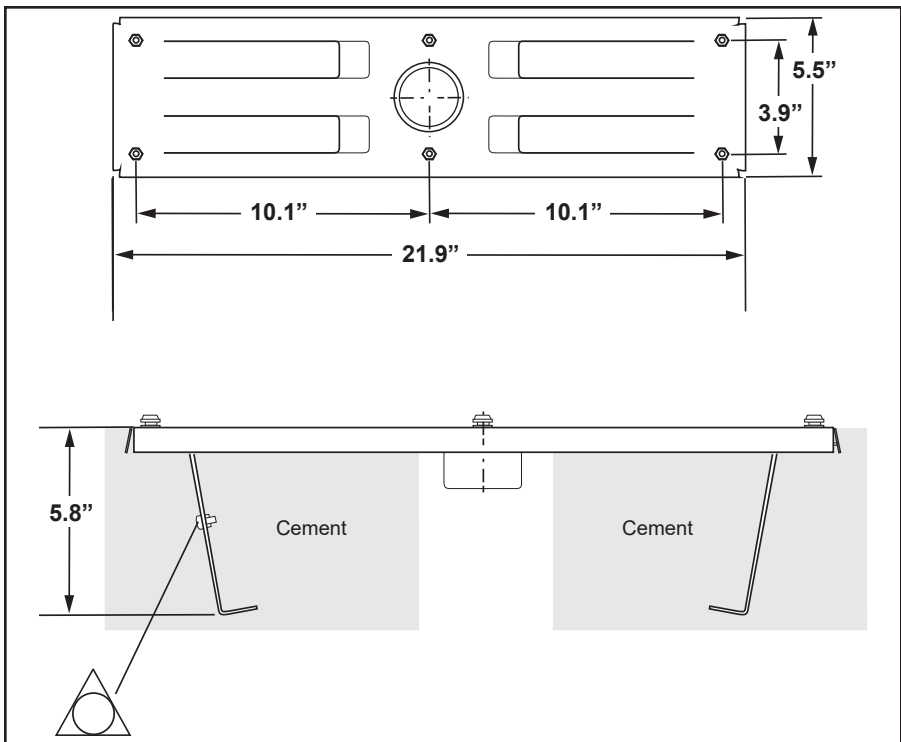
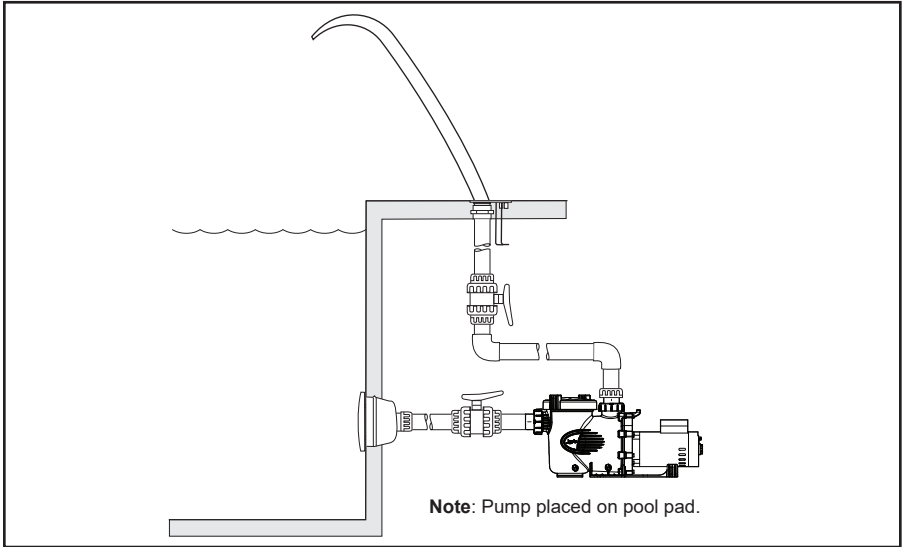


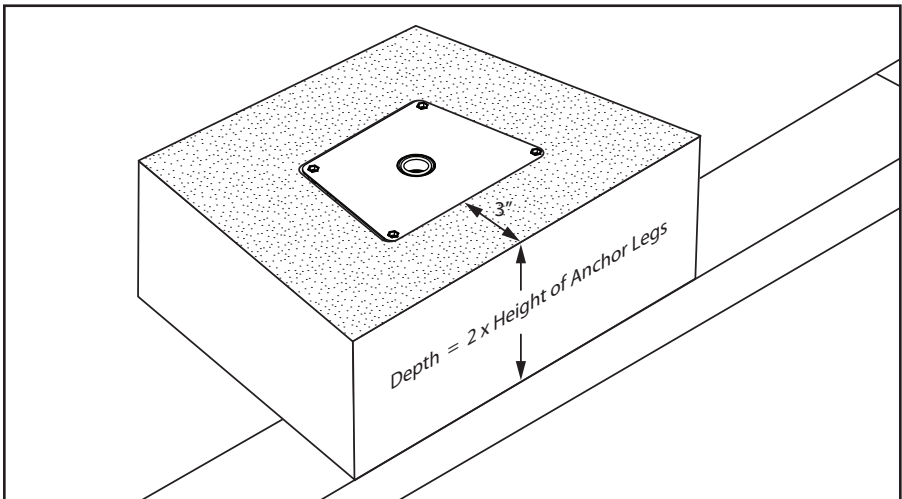
Figure 6. Moderno Waterfall Anchor Installation

2. Connect the pipe, ensuring that the top of the anchor is kept at the same level as the deck. See Figure 7.



**Figure 7. Waterfall Plumbing Connections**

3. Create a footing of cement around the anchor and piping to provide a solid base for the waterfall. The footing should extend at least 3" beyond the perimeter of the anchor and be at a depth of at least twice that of the legs of the anchor. See anchor dimensions on pages 7-9.



**Figure 8. Waterfall Cement Base**

- Remove the protective film from the anchor and secure the base of the waterfall to the anchor using the provided hardware. Ensure the O-ring is installed prior to securing the waterfall to the anchor. See Figure 8.

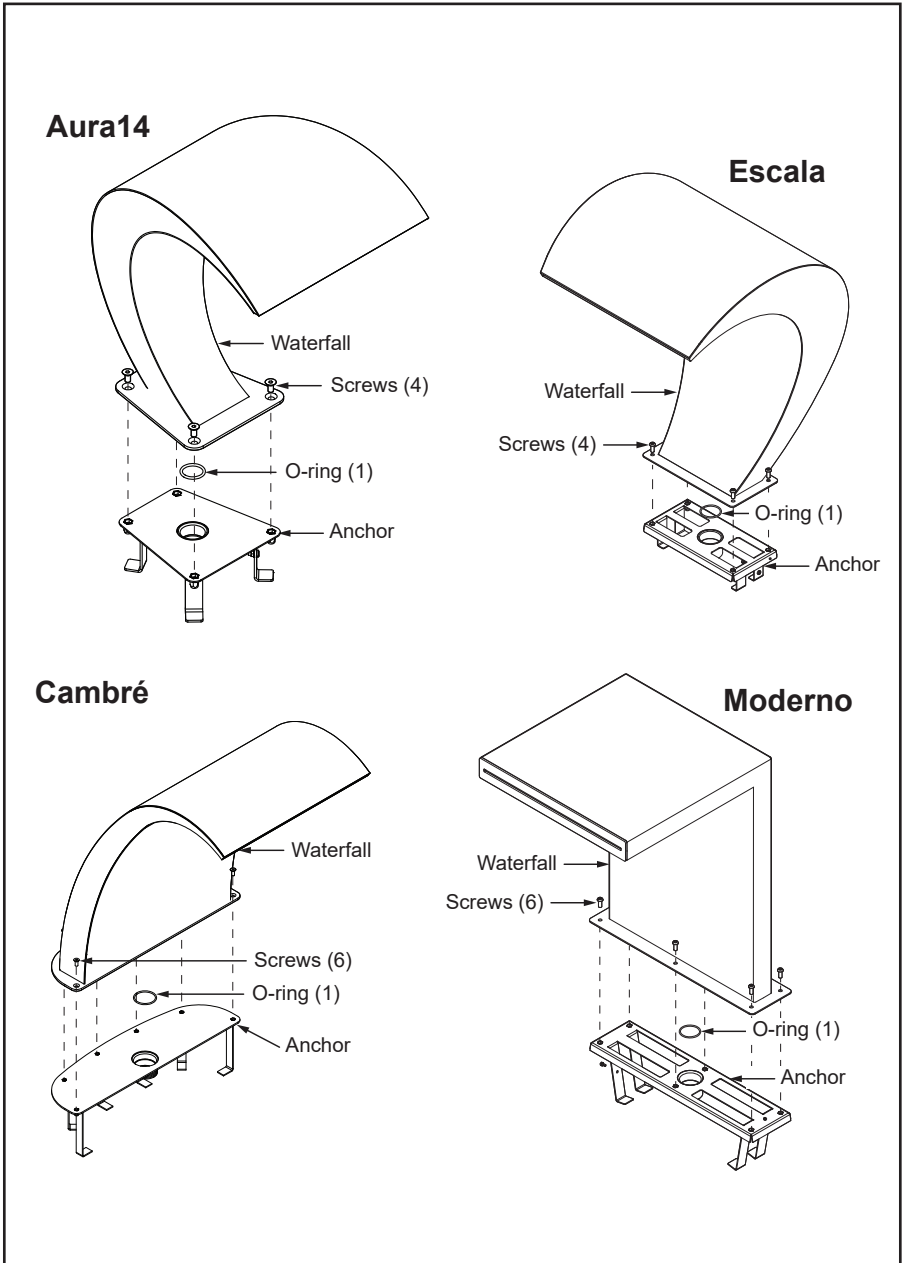


Figure 8. Waterfall Hardware Connections

## Section 4. Dimensions

The following information details the dimensions of each waterfall, including optimal water flow measurements from the waterfall base.

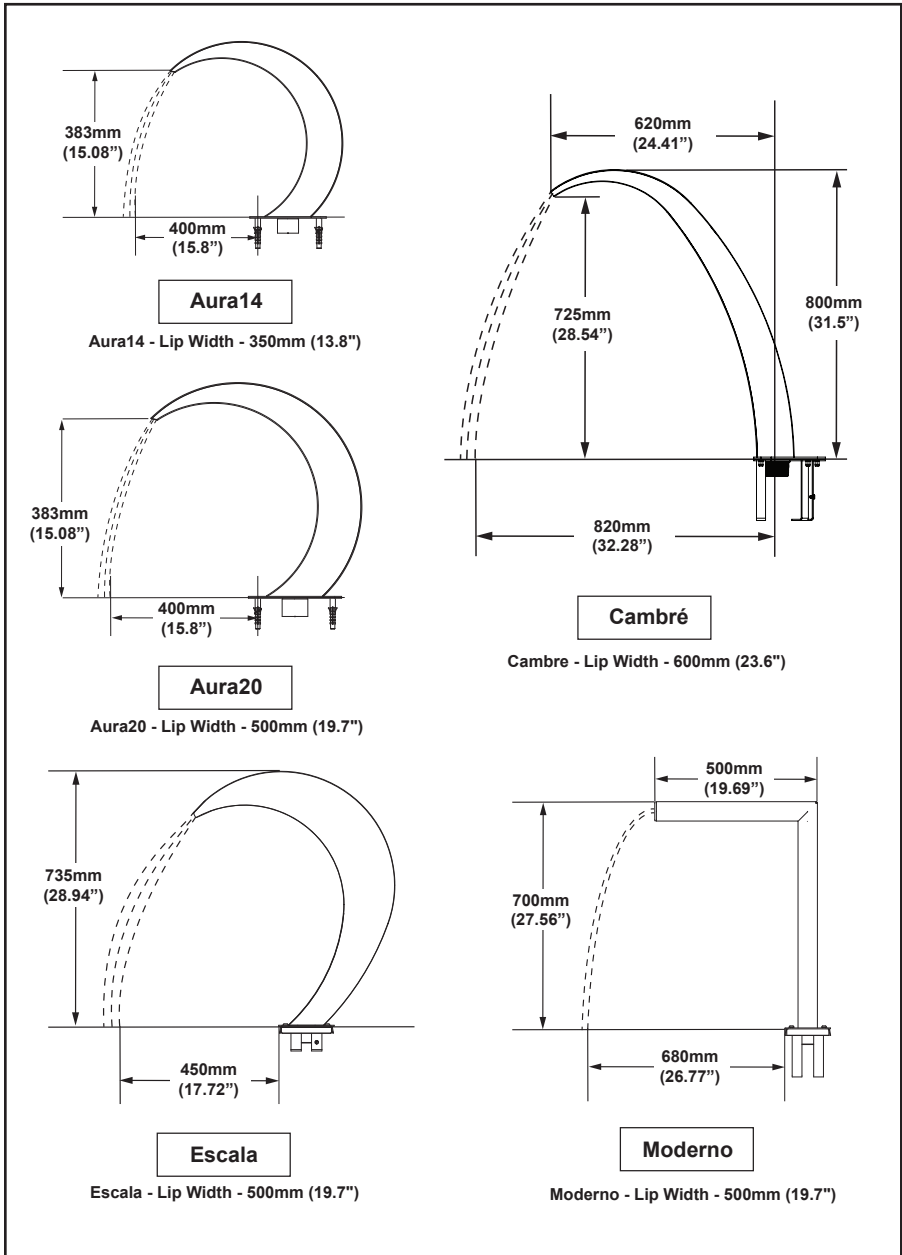


Figure 9. Freestanding Waterfalls Dimensions (with water)

# NOTES

## NOTES

# NOTES

**Cover-Pools Incorporated**

2580 S Decker Lake Blvd, Suite 300, West Valley City, UT 84119  
1.949.697.5270 | [www.GrandEffects.com](http://www.GrandEffects.com)

*©2021 Zodiac Pool Systems LLC. All rights reserved.  
ZODIAC® is a registered trademark of Zodiac International,  
S.A.S.U., used under license. All other trademarks are the  
property of their respective owners.*

GE01304142\_reI0001

Manual: 74338E201-00