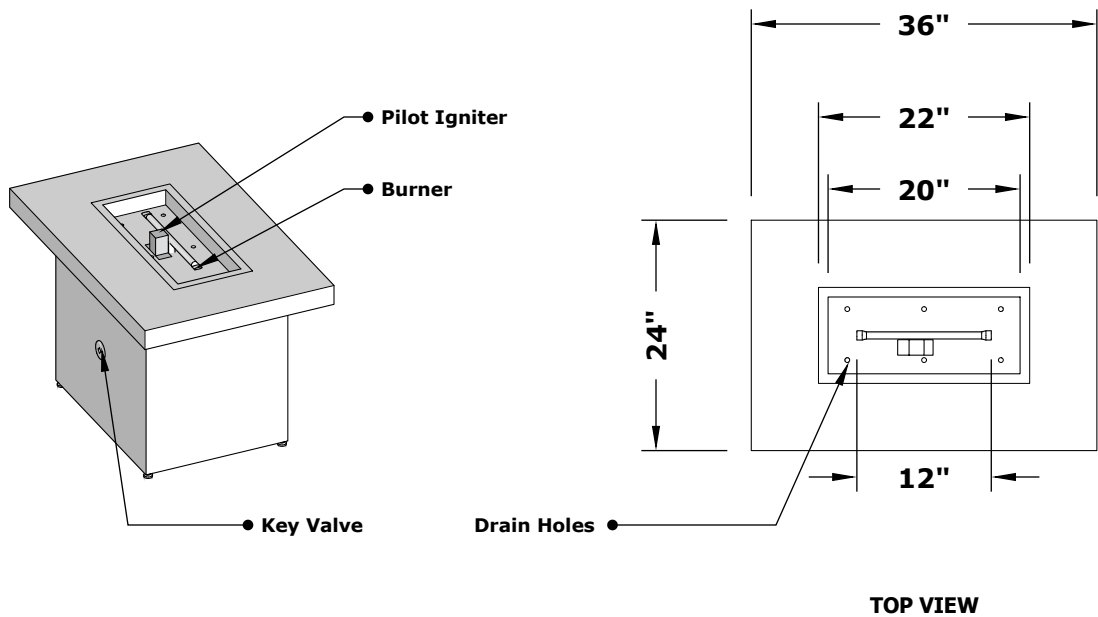


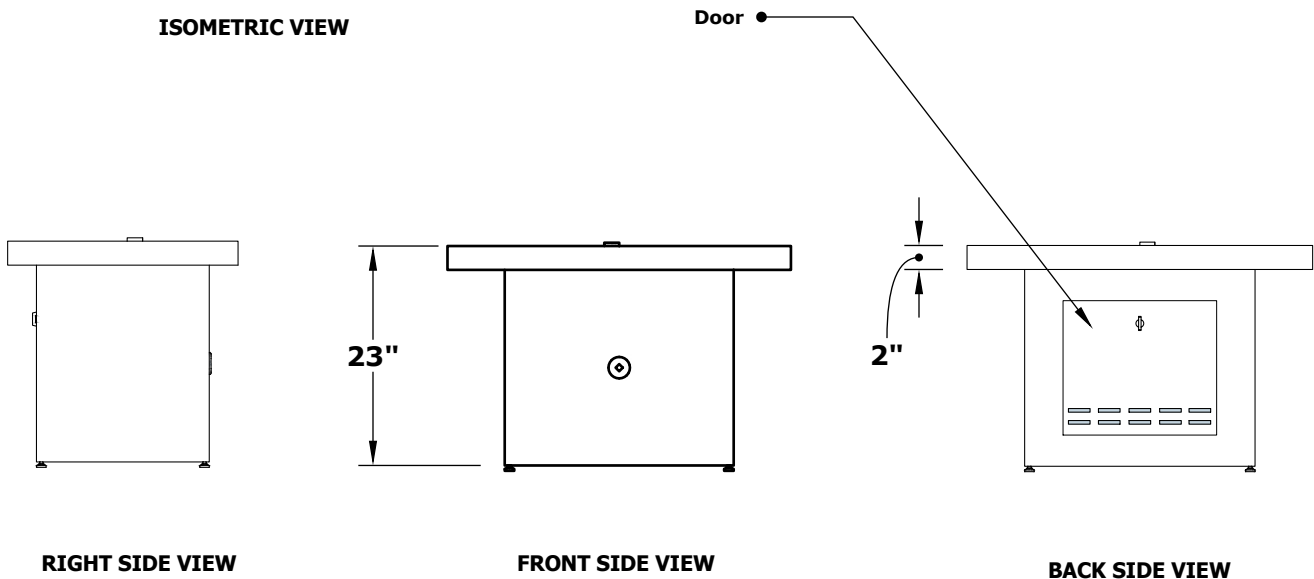
# ALBERTA FIRE PIT

OPT-ALB36  
OPT-ALB36EKIT



ISOMETRIC VIEW

TOP VIEW



RIGHT SIDE VIEW

FRONT SIDE VIEW

BACK SIDE VIEW

Fire Pit Material: Wood Grain Concrete  
Pan Material: 304 Stainless Steel  
Burner Material: 304 Stainless Steel  
Standard 1" Flange on all pans  
Standard 2" Depth on all pans

**110V ELECTRONIC IGNITION**  
ANSI Z21.97-(2017) / CSA 2.41-(2017)



Match Lit Unit Includes: Pan, Burner, Gas Orifice, Gas Hoses, Key Valve, Key,  
110v Ignition Unit Includes: Pan, Burner, Gas Orifice, Gas Hoses, Key Valve, Key, Plug & Play Electronic Valve, Pilot Igniter.

**Proprietary & Confidential:** The information contained in this drawing is the sole property of **The Outdoor Plus**. Any reproduction or as a whole without written permission of **The Outdoor Plus** is prohibited.