

Manual Burner System

Installation and Operation Guide

ATTENTION: Please carefully read this instructions prior to installing your APF Manual Burner System. Failure to adhere to these instructions may result in a possible fire hazard, explosion, property damage, serious injury or loss of life. Do not discard this installation guide, it must remain with fire feature.

ATTENTION: Installation and service must be performed by a qualified gas installer, service agency or gas supplier. Your installer must follow these instructions carefully. Architectural Pottery and their affiliates are not responsible for the actions of the installer or misuse of products.

Table Of Contents

2	⋮	Gas Requirements
3	⋮	Fire Burner System
4	⋮	Product Installation
6	⋮	Product Maintenance
7	⋮	Product Operation
8	⋮	Warranty

Description	BTU Rating	Gas Inlet Size
12" Round Duel Burner, 304 Stainless Steel	Up to 90,000	1/2" Female NPT
18" Round Duel Burner, 304 Stainless Steel	Up to 125,000	1/2" Female NPT
24" Round Duel Burner, 304 Stainless Steel	Up to 150,000	1/2" Female NPT
30" Round Triple Burner, 304 Stainless Steel	Up to 175,000	3/4" Female NPT

Gas Pressure (Nominal)

Natural Gas	7" wc
Propane	11" wc



WARNING!

If you smell gas, immediately take the following actions:

1. Do not attempt to ignite your appliance.
 2. Shut off the gas to the appliance.
 3. Extinguish any open flame near the unit.
 4. If odor lingers, call your gas supplier or local fire department.
- Do not store or use any gasoline or other flammable vapors and/or liquids in the vicinity of this or any other appliance.
 - Never attempt to burn wood or any other flammable materials in this fire feature.

FIRE BURNER SYSTEMS

THE COMPLETE MODERN SOLUTION

PRECISION DRILLED HOLES FOR BETTER PERFORMANCE

DURABLE CONSTRUCTION

HEAVY GAUGE 304 STAINLESS STEEL BURNER PLATE



FIRE MANUAL BURNER SYSTEM INCLUDES:

- 304 Stainless Steel Burner • Heavy Gauge 304 Stainless Steel Support Plate
- Key Valve Assembly • Flex Line x2 • Mounting Bracket (for select models)

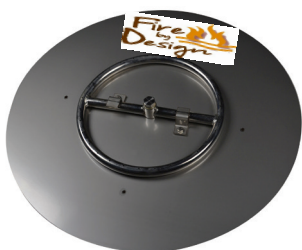


2 Piece APF Mounting Bracket
(for select models)



Whistle-Free Flex Line x2

BURNER SYSTEMS FOR ROUND, SQUARE AND LINEAR FIRE VESSELS



WARNING! This unit is for outdoor use only.

- Do not install near any combustibles such as wood structures, fuels, clothing, fabrics, or dry vegetation.

- **Installation shall be performed by a licensed contractor.** All aspects of installation must conform to local or national codes, or in the absence of codes, with Natural Fuel Gas Code ANZI Z223.1.

- An approved gas valve or keyed valve shall be installed in the decorative bowl or upstream of the unit and located in an accessible area that is within 5ft from the APF Manual System.

Note: All APF Manual Systems includes pre-installed key valve, unless otherwise specified.

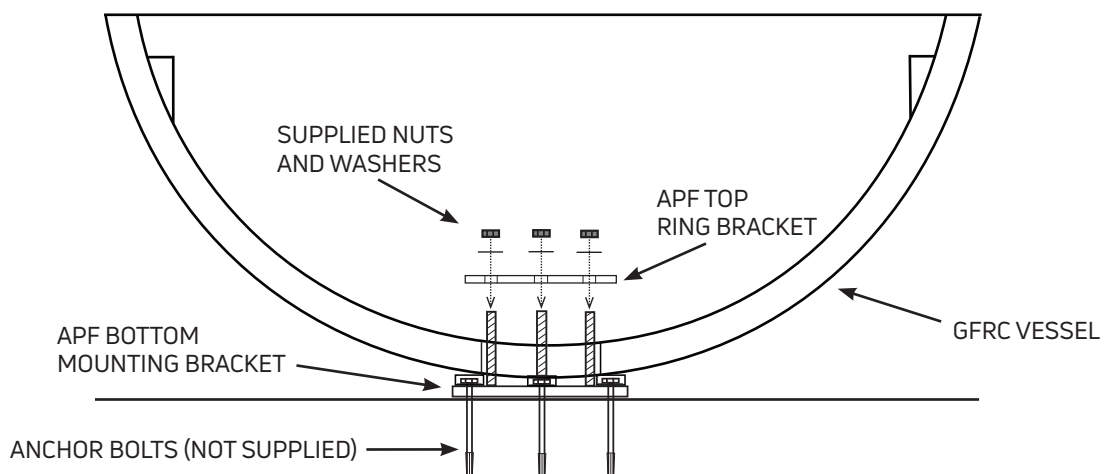
- The approved gas valve must be located where they can be easily accessible so that the gas can be shut off quickly in case of an emergency.

Installation

1. Install the Fire Feature as shown in Figure 1 and Figure 2.

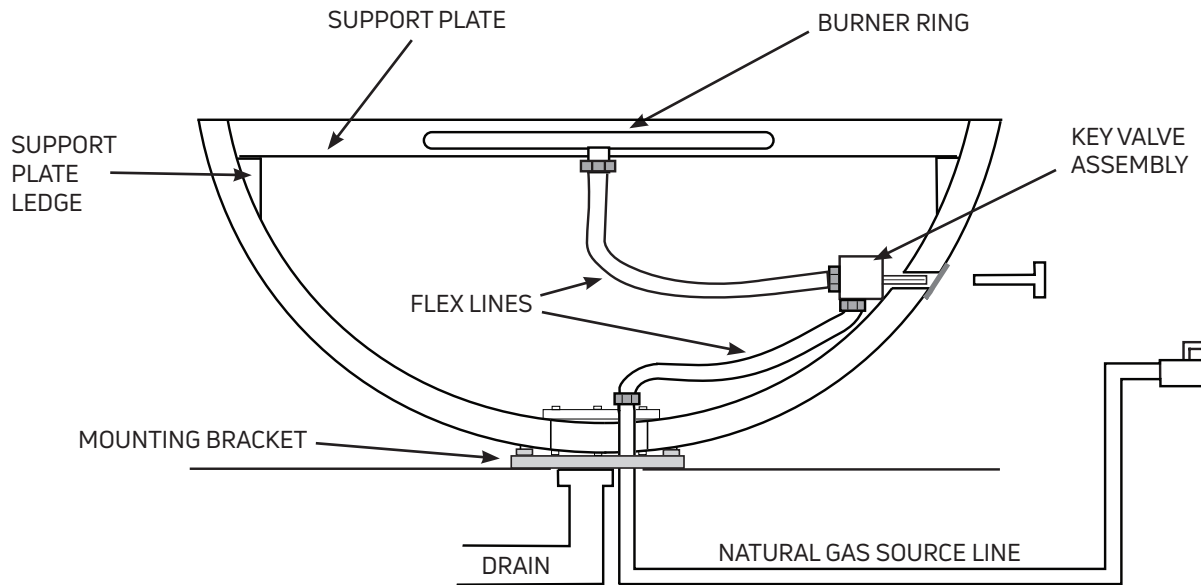
2. 24" - 60" Geo Round, 24" - 48" Legacy Round, 24" - 36" Geo Square, 30" - 36" Legacy Square requires installation of the APF Mounting Bracket to secure the vessel and allow for ventilation and drainage. Install the mounting bracket as shown in Figure 1. Using appropriate anchor bolts, (not supplied), secure the APF bottom bracket to a suitable, stable permanent surface. Place the GFRC vessel over the bottom bracket so the all thread is accessible from top of vessel. Attach the APF top ring bracket using the supplied bolts. Do not seal open space between mounting bracket and vessel. Warranty is voided if the mounting bracket is not installed on required models.

Figure 1



NOTE: Drainage **MUST** be provided in the bottom of each bowl.

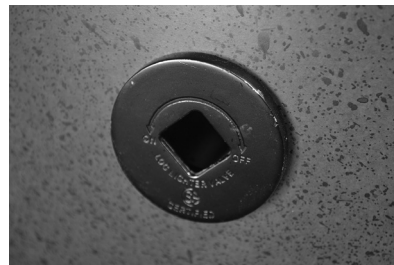
Figure 2



3. The natural gas source line must be installed underground between each vessel, as shown in Figure 2.
4. The natural gas source line must be reduced to 1/2" NPT for fire tables 42"+ and 3/8" NPT for fire vessels 24" - 36".
5. Using pipe sealer, attach supplied flex line to natural gas source line. Then attach the other end of the flex line to key valve assembly. Do not kink or make a tight radius bend on the gas hose.
6. From Key Valve Assembly connect Flex Line to the Burner Assembly.
7. Check all gas connections tight, position the burner assembly so that it sits level in the bowl. Rotate as required so that the gas hose rests in a compact position.



Key Valve Assembly
(Inside View)



Key Valve Assembly
(Outside View)

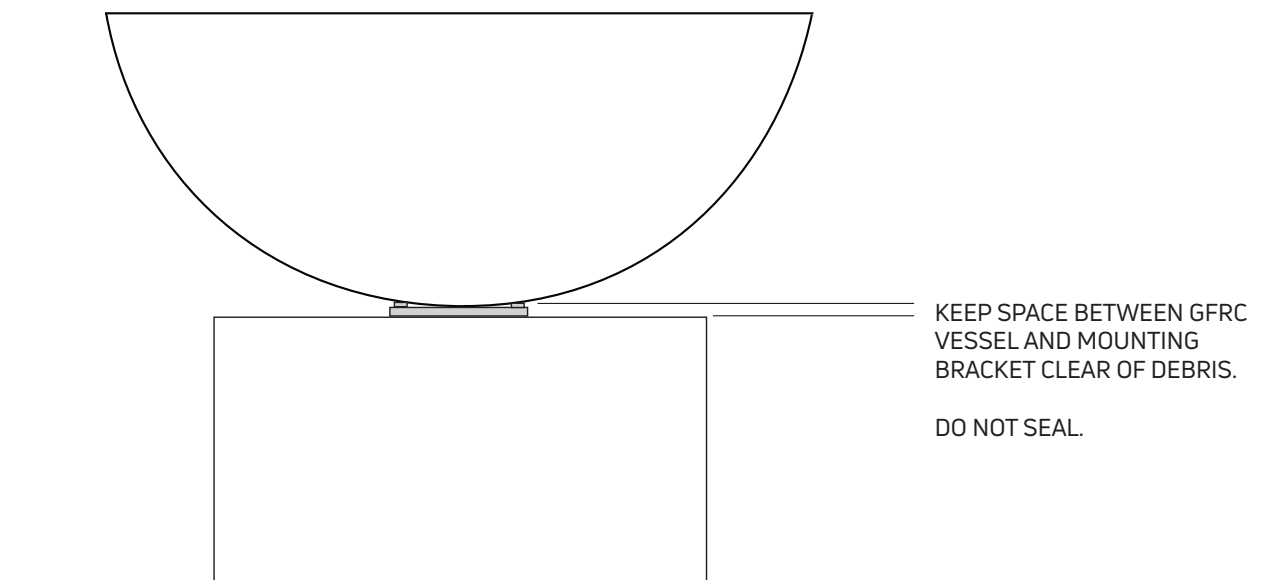
NOTE: Leak Test – it is highly recommended to perform a gas leak test at this point in the install. Turn on the gas supply and then, using a soapy water solution spray on the gas line connections to ensure no leaks exist.

CAUTION! Use only approved decorative media to cover the burner assembly. Architectural Pottery Tumbled Lava Rock and Fire Glass are accepted media. Use caution when in the immediate area, as pieces may pop or explode when exposed to heat or moisture.

- Clean the burner assembly and bowl with a wet cloth or cleaning solution to remove carbon build-up, frequency of the cleaning will depend on usage.
- Inspect the gap between the base of the bowl and the mounting bracket. It should be kept free of dirt and debris that may restrict ventilation and drainage (see Figure 3).
- Periodically inspect the underside of the burner assembly for any signs of excessive temperatures. Check that all gas connections are tight.
- The vessel and burner assembly should be covered and protected from extreme weather conditions.
- The burner should not be operated in high wind conditions.

Note: If any problems occur, consult a licensed heating professional

Figure 3





WARNING!

This unit is for outdoor use only.

For Your Safety

- If you smell gas, shut off the gas valve immediately.
- Extinguish any open flame.
- If odor continues, immediately call your gas supplier.
- Do not store or use gasoline or other flammable vapors and/or liquids in the vicinity of this appliance.
- Do not leave flame on while unsupervised.
- Do not operate in windy or rainy conditions.
- Unit should be operated only by a responsible adult.
- When in use, an open flame is present; therefore, use with extreme care and at your own risk.
- Before any inspection of the unit, always turn off gas supply.
- If you experience problems with this unit, call a licensed heating professional.
- All work on this unit must be performed by a licensed heating professional.

CAUTION! Before you turn on the APF Manual System, make sure that features are clear of people, animals, or any objects that are combustible.

Operating Instructions

- With the unit in off position check for gas smell or leaks.
- Using the key, open valve approximately 50%
- Stand back and quickly light burner with extended BBQ lighter.
- Adjust flame as desired for safe use.
- To extinguish flame use key to turn off valve.

APF Manual Burner System One Year Warranty:

Architectural Pottery warrants its products, when purchased new, to be free from defects in materials and workmanship under normal use and service for one year, from the original date of purchase. Replacement or repair at the option of Architectural Pottery.

Terms and Conditions:

1. Prices are subject to change without notice. All dimensions shown in this catalog are approximates.
2. All orders require a 50% deposit, balance paid in full before shipment, including freight and handling charges. Once production has started, deposit is non refundable.
3. All orders are shipped FOB Midway City. Freight collect or third party billing allowed. Architectural Pottery provides local delivery service at rates based on the size of the order and the distance.
4. Architectural Pottery assumes no risk or damage incurred in transit, except orders delivered locally by Architectural Pottery's delivery service. All items are shipped at purchaser's risk. Any claims for loss or damage sustained in transit must be filed with carrier immediately.
5. All sales are final. No refunds. Exchanges for equal value or higher with prior approval. A restocking charge will apply.
6. All sales are made pursuant to these conditions and orders are received with the understanding that they are placed under these conditions.