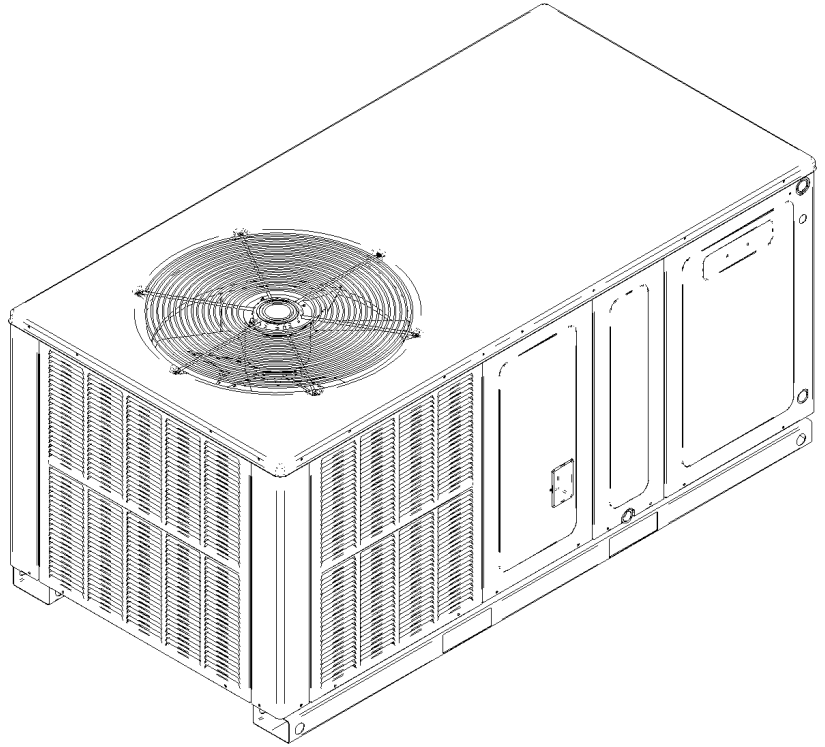


**GPC14 Horizontal Package Cooling Units**

GPC1424H41EA  
GPC1424H41EB  
GPC1424H41EC  
GPC1430H41EA  
GPC1430H41EB  
GPC1430H41EC  
GPC1436H41DC  
GPC1436H41DD  
GPC1442H41EA  
GPC1442H41EB  
GPC1442H41EC  
GPC1448H41EA  
GPC1448H41EB  
GPC1448H41EC  
GPC1460H41EA  
GPC1460H41EB  
GPC1460H41EC



This manual is to be used by qualified technicians only.

This manual replaces RP-G3004B.

© 2014-2016 Goodman Company, L.P. ♦ 5151 San Felipe St., Suite 500 ♦ Houston, TX 77056

# Important Information

---

## Index

Functional Parts List .....	3
Illustration and Parts .....	4 - 13

*Views shown are for parts illustrations only, not servicing procedures*

### Text Codes:

AR - As Required

NA - Not Available

NS - Not Shown

00000000 - See Note

QTY - Quantity Example (QTY 3) (If Quantity not shown, Quantity = 1)

M - Model Example (M1) (If M Code not shown, then part is used on all Models)

### Expanded Model Nomenclature:

Example M1 - Model#1 M2 - Model#2 M3 - Model#3
---

Goodman Company, L.P. is not responsible for personal injury or property damage resulting from improper service. Review all service information before beginning repairs.

Warranty service must be performed by an authorized technician, using authorized factory parts. If service is required after the warranty expires, Goodman Company, L.P. also recommends contacting an authorized technician and using authorized factory parts.

Goodman Company, L.P. reserves the right to discontinue, or change at any time, specifications or designs without notice or without incurring obligations.

For assistance within the U.S.A. contact:

Consumer Affairs Department  
Goodman Company, L.P.  
7401 Security Way  
Houston, Texas 77040  
877-254-4729-Telephone  
713-863-2382-Facsimile

For assistance outside the U.S.A. contact:

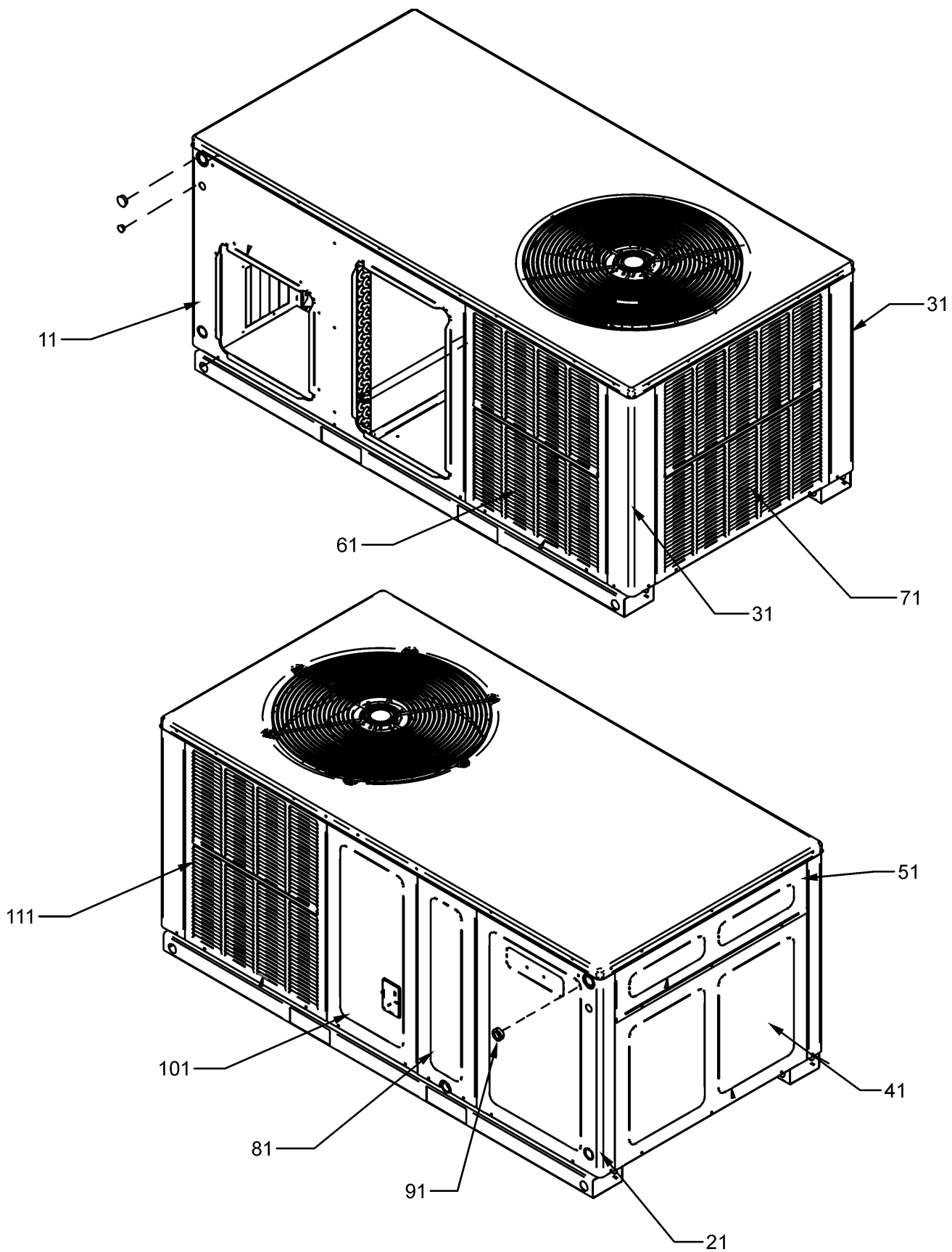
International Division  
Goodman Company, L.P.  
7401 Security Way  
Houston, Texas 77040  
713-861-2500-Telephone  
713-863-2382-Facsimile

# Functional Parts

**Part No:**            **Description:**

Part No:	Description:	Expanded Model Nomenclature
50N492ZV-ZAKM	2.0TONRECHI COMPR.4 LEGS (M1, M2, M3)	M1 - GPC1424H41EA
B1368016	BLOWER WHEEL 10 X 8 (M1, M2, M3, M4, M5, M6, M7, M8, M9, M10, M11, M12, M13, M14)	M2 - GPC1424H41EB
B1368054	BLOWER WHEEL 11 X 8 (M15, M16, M17)	M3 - GPC1424H41EC
CAP050400440CT	CAPACITOR 5/40/440V/DUAL RD (M4, M5,	M4 - GPC1430H41EA
CAP050450440CT	CAPACITOR 5/45/440V/DUAL RD (M1, M2, M3, M7, M8, M9, M10, M11, M12, M13, M14)	M5 - GPC1430H41EB
CAP050700440CT	CAPACITOR 5/70/440V/DUAL RD (M15, M16, M17)	M6 - GPC1430H41EC
ZP25K5EPFV130	COMPRESSOR 25200, 208/230/60/1 (M4, M5, M6)	M7 - GPC1436H41DC
ZP31K5EPFV130	COMPRESSOR 31100, 208/230/60/1 (M7, M8)	M8 - GPC1436H41DD
ZP34K5EPFV130	COMPRESSOR 34500, 208/230/60/1 (M9, M10, M11)	M9 - GPC1442H41EA
ZP39K5EPFV130	COMPRESSOR 39000, 208/230/60/1 (M12, M13, M14)	M10 - GPC1442H41EB
ZP51K5EPFV130	COMPRESSOR 51000, 208/230/60/1 (M15, M16, M17)	M11 - GPC1442H41EC
0131M00061	COND MOTOR 1/4 HP, 1 SP, 8 PL (M7, M8)	M12 - GPC1448H41EA
0131M00429	COND MOTOR 1/4 HP, 1 SP,6 PL (M9, M10, M11, M12, M13, M14, M15, M16, M17)	M13 - GPC1448H41EB
0131M00009P	COND MOTOR 1/6 HP, 1 SP, 8 PL (M1, M2, M3, M4, M5, M6)	M14 - GPC1448H41EC
CONT1P025024V	CONTACTOR 25 AMP, 1P, 24V (M1, M2, M3, M4, M5, M6, M7, M8)	M15 - GPC1460H41EA
CONT1P030024V	CONTACTOR 30 AMP, 1P, 24V (M9, M10, M11, M12, M13, M14)	M16 - GPC1460H41EB
CONT2P040024V	CONTACTOR 40 AMP, 2P, 24V (M15, M16, M17)	M17 - GPC1460H41EC
0130M00074	CUT-OUT SWITCH, HIGH PRESSURE (M1, M2, M3, M15, M16, M17)	
0150G00005	FAN BLADE (M1, M2, M3, M4, M5, M6)	
0150G00004	FAN BLADE (M9, M10, M11, M12, M13, M14, M15, M16, M17)	
B1086765	FAN BLADE TYPE 3 (M7, M8)	
0131G00034	PROGRAMMED MOTOR (M9, M10, M11)	
0131G00035	PROGRAMMED MOTOR (M12, M13, M14)	
0131M00487	PROGRAMMED MOTOR (M1, M2, M3)	
0131M00489	PROGRAMMED MOTOR (M4, M5, M6)	
0131M00495	PROGRAMMED MOTOR (M15, M16, M17)	
0131M00596	PROGRAMMED MOTOR (M7, M8)	
0130M00138	TRANSFORMER 208/230, 24V	

# Cabinet Assembly



# Cabinet Assembly

**Ref. Part  
No: No:**

**Description:**

**Ref. Part  
No: No:**

**Description:**

**Image 1:**

11	0121G00050PDG	DUCT PANEL 27.5" (M1, M4, M9)
11	0121G00051PDG	DUCT PANEL 32.5" (M12, M15)
11	0121G00667PDG	DUCT PANEL, 27.5" (M2, M3, M5, M6, M7, M8, M10, M11)
11	0121G00668PDG	DUCT PANEL, 32.5" (M13, M14, M16, M17)
21	0121G00521DG	CORNER PANEL 27.5" (M1, M4, M9)
21	0121G00522DG	CORNER PANEL 32.5" (M12, M15)
21	0121G00664DG	CORNER PANEL, 27.5" (M2, M3, M5, M6, M7, M8, M10, M11)
21	0121G00665DG	CORNER PANEL, 32.5" (M13, M14, M16, M17)
31	0121G00047PDG	CORNER POST 27.5" (M7, M8, M9, M10, M11)
31	0121G00048PDG	CORNER POST 32.5" (M12, M13, M14, M15, M16, M17)
31	0121G00516DG	CORNER POST, 27.5" (M1, M2, M3, M4, M5, M6)
41	0121G00271DG	EXTERNAL BLOWER PANEL 27.5" (M1, M2, M3, M4, M5, M6, M7, M8, M9, M10, M11)
41	0121G00272DG	EXTERNAL BLOWER PANEL 32.5" (M12, M13, M14, M15, M16, M17)
51	0121G00276DG	EXTERNAL CONTROL BOX PANEL
61	0121G00069PDG	LOUVERED PANEL 4 BANK 27.5" (M7, M8, M9, M10, M11)
61	0121G00517DG	LOUVERED PANEL 4 BANK 27.5" (M1, M2, M3, M4, M5, M6)
61	0121G00070PDG	LOUVERED PANEL 4 BANK 32.5" (M12, M13, M14, M15, M16, M17)
71	0121G00072PDG	LOUVERED PANEL 5 BANK 27.5" (M1, M2, M3, M4, M5, M6, M7, M8, M9, M10, M11)
71	0121G00073PDG	LOUVERED PANEL 5 BANK 32.5" (M12, M13, M14, M15, M16, M17)
81	0121G00065PDG	EVAP PANEL 8.75" X 27.5" (M1, M2, M3, M4, M5, M6, M7, M8, M9, M10, M11)
81	0121G00066PDG	EVAP PANEL 8.75" X 32.5" (M12, M13, M14, M15, M16, M17)
91	B1392012	GROMMET / HS 1.0 - .79
101	0121G00711DG	COMPRESSOR PANEL (M3, M6)
101	0121G00712DG	COMPRESSOR PANEL (M14, M17)
101	0121G00713DG	COMPRESSOR PANEL (M8, M11)
101	0121G00062PDG	COMPRESSOR PANEL 13.68" X 27.50" (M7, M9, M10)
101	0121G00060PDG	COMPRESSOR PANEL 8.75" X 32.50" (M12, M13, M15, M16)
101	0121G00059PDG	COMPRESSOR PANEL, 8.75" X 27.50" (M1, M2, M4, M5)
111	0121G00069PDG	LOUVERED PANEL 4 BANK 27.5" (M7, M8, M9, M10, M11)
111	0121G00072PDG	LOUVERED PANEL 5 BANK 27.5" (M1, M2, M3, M4, M5, M6)
111	0121G00073PDG	LOUVERED PANEL 5 BANK 32.5" (M12, M13, M14, M15, M16, M17)
NS	0164G00005	GROMMET-HORSESHOE 1.675 (M3, M6, M14, M17)

**Expanded Model Nomenclature**

M1 - GPC1424H41EA
M2 - GPC1424H41EB
M3 - GPC1424H41EC
M4 - GPC1430H41EA
M5 - GPC1430H41EB
M6 - GPC1430H41EC
M7 - GPC1436H41DC
M8 - GPC1436H41DD
M9 - GPC1442H41EA
M10 - GPC1442H41EB
M11 - GPC1442H41EC
M12 - GPC1448H41EA
M13 - GPC1448H41EB
M14 - GPC1448H41EC
M15 - GPC1460H41EA
M16 - GPC1460H41EB
M17 - GPC1460H41EC

# Chassis Assembly

Image 1

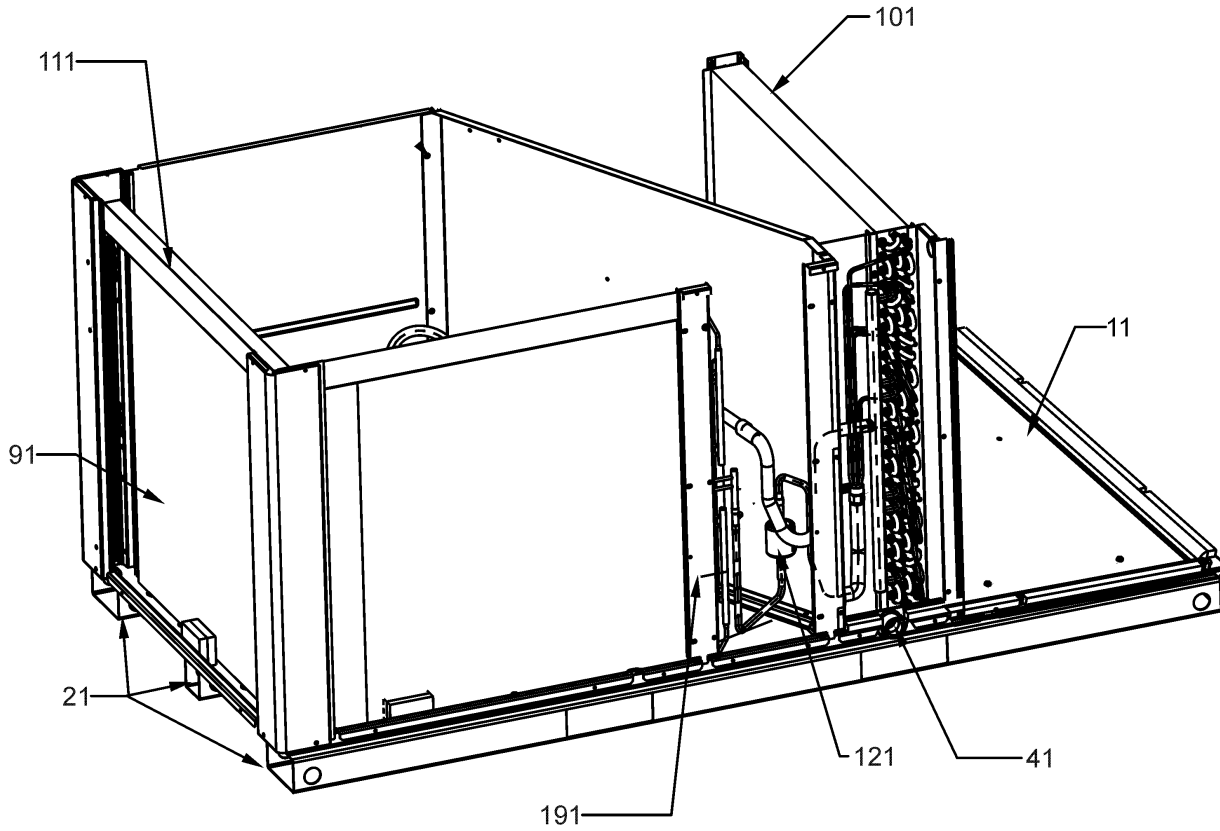
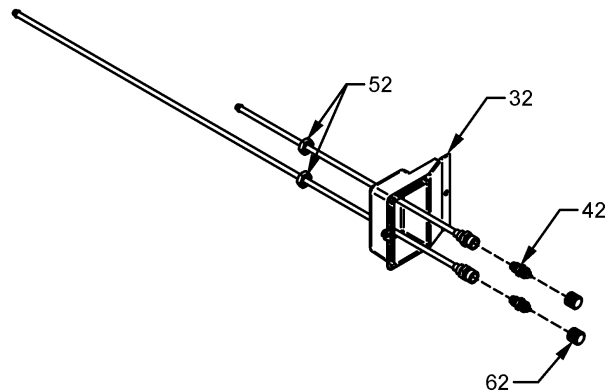


Image 2



# Chassis Assembly

Ref. Part No:	No:	Description:	Ref. Part No:	No:	Description:
<b>Image 1:</b>			<b>Expanded Model Nomenclature</b>		
11	0121G00046P	INSULATED ASSY, BASEPAN	M1	-	GPC1424H41EA
21	0121G00044PRF	BASEPAN RAIL (QTY 2)	M2	-	GPC1424H41EB
41	0161G00000P	PAN, DRIP	M3	-	GPC1424H41EC
91	0201G00188	CONDENSER COIL ASSY (M12, M13, M14)	M4	-	GPC1430H41EA
91	0201G00308	CONDENSER COIL ASSY (M1, M2, M3, M4, M5, M6)	M5	-	GPC1430H41EB
91	0201G00334	CONDENSER COIL ASSY (M15, M16, M17)	M6	-	GPC1430H41EC
91	0201G00183	TUBING ASSY, COND COIL (M7, M8, M9, M10, M11)	M7	-	GPC1436H41DC
101	0202G00415	EVAP COIL TUBING ASSY (M1)	M8	-	GPC1436H41DD
101	0202G00462	EVAP COIL TUBING ASSY (M4)	M9	-	GPC1442H41EA
101	0202G00533	EVAP COIL TUBING ASSY (M9)	M10	-	GPC1442H41EB
101	0202G00534	EVAP COIL TUBING ASSY (M12)	M11	-	GPC1442H41EC
101	0202G00535	EVAP COIL TUBING ASSY (M15)	M12	-	GPC1448H41EA
101	0202G00552	EVAP COIL TUBING ASSY (M7, M8)	M13	-	GPC1448H41EB
101	0202G00690	EVAP COIL TUBING ASSY (M10, M11)	M14	-	GPC1448H41EC
101	0202G00708	EVAP COIL TUBING ASSY (M2, M3)	M15	-	GPC1460H41EA
101	0202G00710	EVAP COIL TUBING ASSY (M5, M6)	M16	-	GPC1460H41EB
101	0202G00711	EVAP COIL TUBING ASSY (M13, M14)	M17	-	GPC1460H41EC
101	0202G00712	EVAP COIL TUBING ASSY (M16, M17)			
111	0121G00368	CONDENSER COIL BLOCKOFF (M7, M8, M9, M10, M11)			
111	0121G00372	CONDENSER COIL BLOCKOFF (M12, M13, M14, M15, M16, M17)			
111	0121G00519	CONDENSER COIL BLOCKOFF (M1, M2, M3, M4, M5, M6)			
121	B1219212	SINGLE-FLOW FILTER DRIER, STEEL (M1, M2, M3, M4, M5, M6, M7, M8)			
121	B1219225	SINGLE-FLOW FILTER DRIER, STEEL (M9, M10, M11, M12, M13, M14, M15, M16, M17)			
191	0121G00045P	POST 27.5" (M1, M2, M3, M4, M5, M6, M7, M8, M9, M10, M11)			
191	0121G00079P	POST 32.5" (M12, M13, M14)			
191	0121G00565	POST 32.5" (M15, M16, M17)			
NS	0130M00074	CUT-OUT SWITCH, HIGH PRESSURE (M1, M2, M3, M15, M16, M17)			
NS	0128G00052	EVAP DRIP SHIELD			
NS	0162M00283	FLOWRATOR (M4)			
NS	0162M00332	FLOWRATOR (M15)			
NS	0162M00166	FLOWRATOR, AL (M9, M12)			
NS	0162M00272	FLOWRATOR, AL (M1)			
NS	0162M00296	FLOWRATOR, AL (M7, M8)			
NS	0162M00298	FLOWRATOR, AL (M13, M14)			
NS	0162M00320	FLOWRATOR, AL (M10, M11)			
NS	0162M00327	FLOWRATOR, AL (M5, M6)			
NS	0162M00366	FLOWRATOR, AL (M2, M3)			
NS	0162M00367	FLOWRATOR, AL (M16, M17)			
<b>Image 2:</b>					
32	0161G00008	ACCESS-FITTING BOX (M1, M2, M4, M5, M7, M9, M10, M12, M13, M15, M16)			
42	B1373315	ACCESS FITTING (QTY 2)			
52	0163G00000P	FASTEST FITTING NUT (M1, M2, M4, M5, M7, M9, M10, M12, M13, M15, M16)			
62	0163M00175	CAP WITH O-RING (M3, M6, M8, M11, M14, M17)			

# Compressor and Top Panel Assembly

Image 1

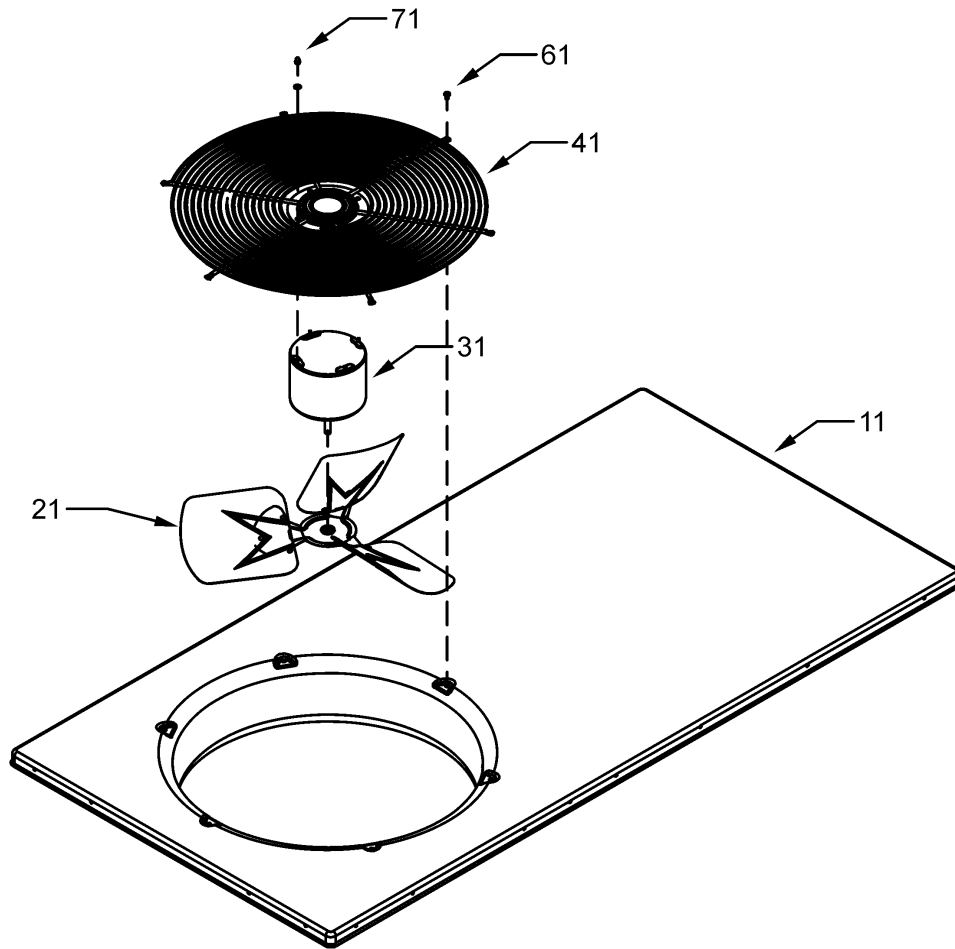
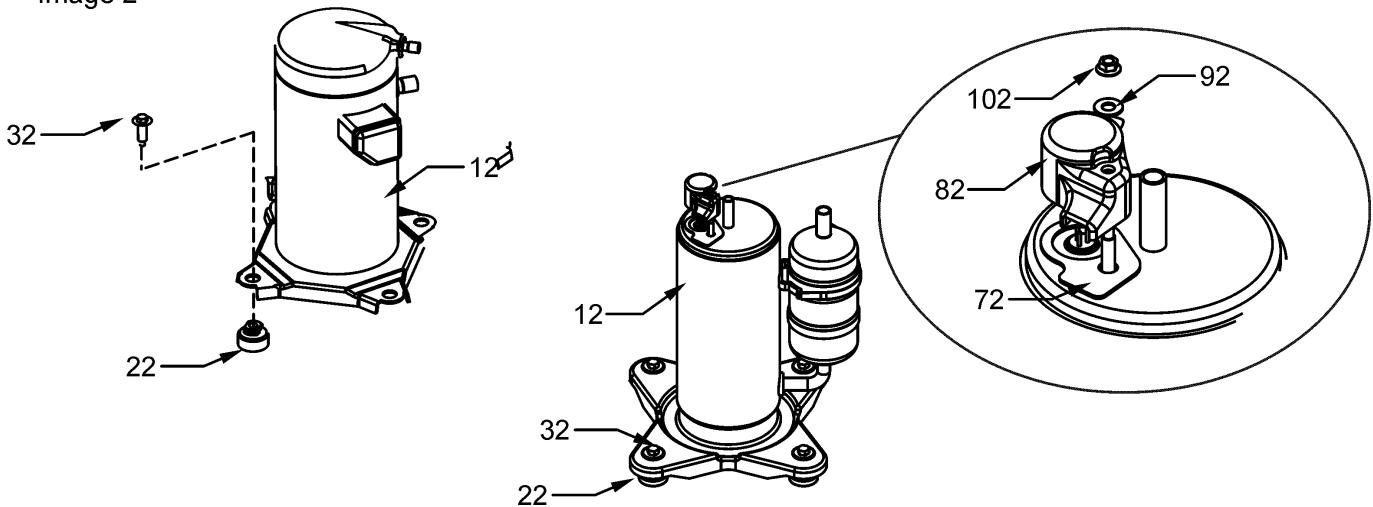


Image 2

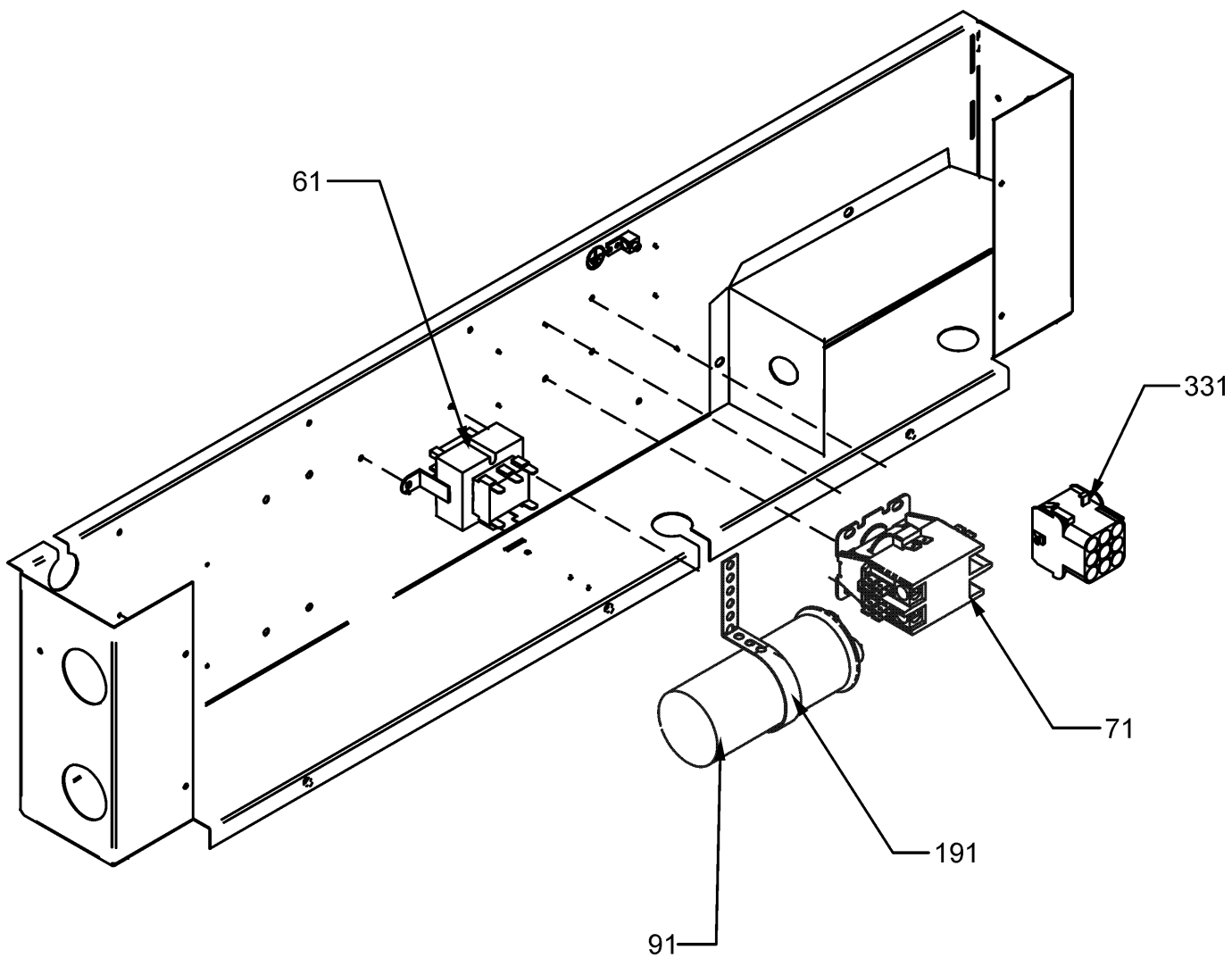




# Compressor and Top Panel Assembly

Ref. Part No: No:	Description:	Ref. Part No: No:	Description:
<b>Image 1:</b>		<b>Expanded Model Nomenclature</b>	
11	0121G00274DG TOP PANEL PAINTED	M1	GPC1424H41EA
21	0150G00004 FAN BLADE (M9, M10, M11, M12, M13, M14, M15, M16, M17)	M2	GPC1424H41EB
21	0150G00005 FAN BLADE (M1, M2, M3, M4, M5, M6)	M3	GPC1424H41EC
21	B1086765 FAN BLADE TYPE 3 (M7, M8)	M4	GPC1430H41EA
31	0131M00061 COND MOTOR 1/4 HP, 1 SP, 8 PL (M7, M8)	M5	GPC1430H41EB
31	0131M00429 COND MOTOR 1/4 HP, 1 SP, 6 PL (M9, M10, M11, M12, M13, M14, M15, M16, M17)	M6	GPC1430H41EC
31	0131M00009P COND MOTOR 1/6 HP, 1 SP, 8 PL (M1, M2, M3, M4, M5, M6)	M7	GPC1436H41DC
41	0152G00003 FAN GRILLE	M8	GPC1436H41DD
61	M0221817 SMALL SCREW (QTY 6)	M9	GPC1442H41EA
71	0163M00006P ACORN NUT 5/16 HEX BLACK (QTY 4)	M10	GPC1442H41EB
NS	17788000083F PVC CONDUIT 8.25"	M11	GPC1442H41EC
<b>Image 2:</b>		M12	GPC1448H41EA
12	50N492ZV-ZAKM 2.0TONRECHI COMPR.4 LEGS (M1, M2, M3)	M13	GPC1448H41EB
12	ZP25K5EPFV130 COMPRESSOR 25200, 208/230/60/1 (M4, M5, M6)	M14	GPC1448H41EC
12	ZP31K5EPFV130 COMPRESSOR 31100, 208/230/60/1 (M7, M8)	M15	GPC1460H41EA
12	ZP34K5EPFV130 COMPRESSOR 34500, 208/230/60/1 (M9, M10, M11)	M16	GPC1460H41EB
12	ZP39K5EPFV130 COMPRESSOR 39000, 208/230/60/1 (M12, M13, M14)	M17	GPC1460H41EC
12	ZP51K5EPFV130 COMPRESSOR 51000, 208/230/60/1 (M15, M16, M17)		
22	B1339533 COMPRESSOR GROMMET (M4, M5, M6, M7, M8, M9, M10, M11, M12, M13, M14, M15, M16, M17)		
22	60140209 GROMMET - RECHI COMPRESSOR (M1, M2, M3)		
32	0163M00186 TF SHOULDER SCREW (M1, M2, M3)		
32	M0221641 TF SHOULDER SCREW (M4, M5, M6, M7, M8, M9, M10, M11, M12, M13, M14, M15, M16, M17)		
72	60100107 TERMINAL COVER GASKET (M1, M2, M3)		
82	60100317 TERMINAL COVER (M1, M2, M3)		
92	60100201 WASHER - RECHI COMPRESSOR (M1, M2, M3)		
102	60100401 TERMINAL NUT - RECHI COMP (M1, M2, M3)		
NS	0159G00004 COMPRESSOR SCROLL HARNESS (M4, M5, M6, M7, M8, M9, M10, M11, M12, M13, M14, M15, M16, M17)		

# Control Box Assembly



# Control Box Assembly

Ref. Part No:	Description:	Ref. Part No:	Description:
---------------	--------------	---------------	--------------

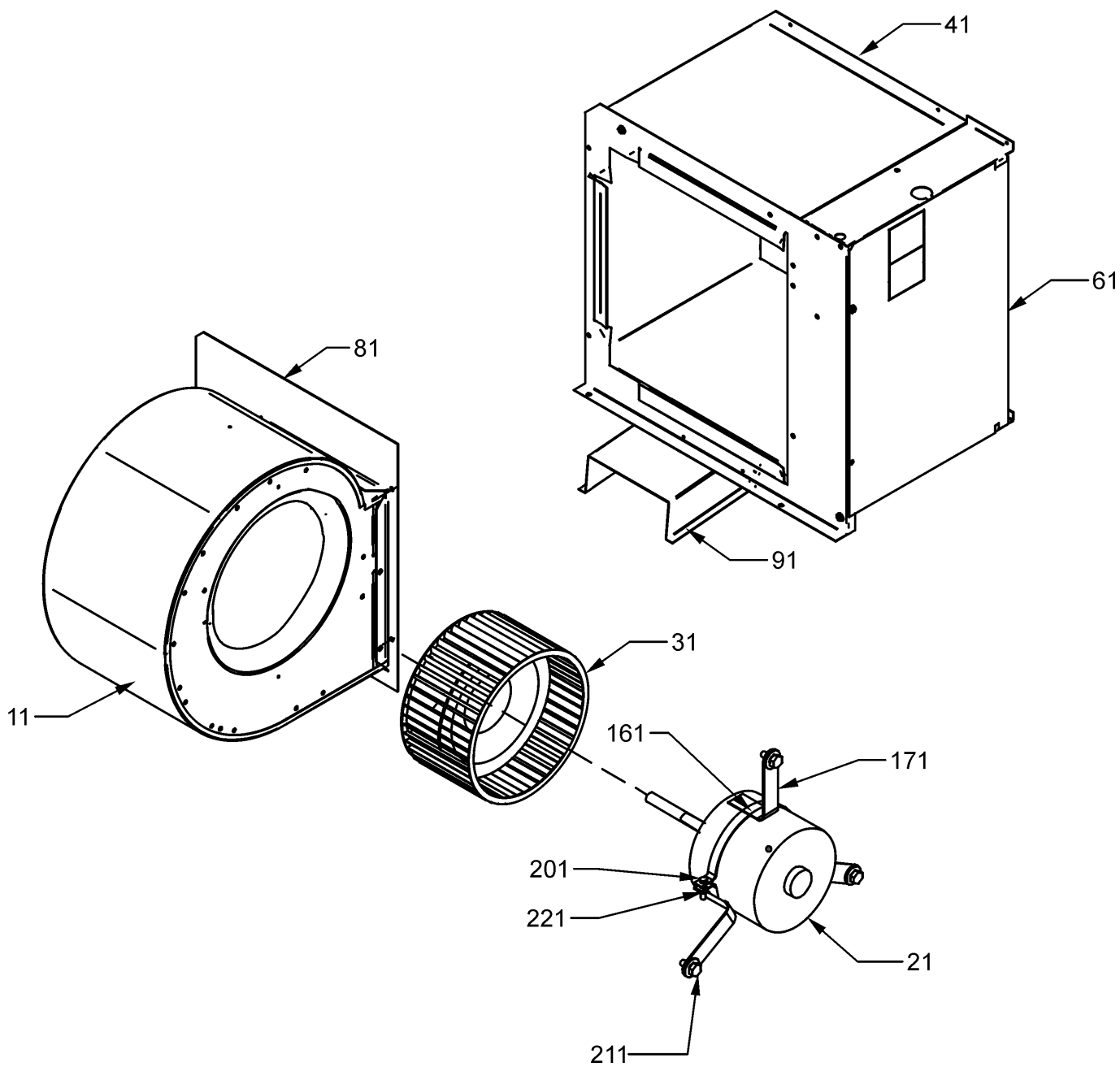
**Image 1:**

61	0130M00138	TRANSFORMER 208/230, 24V
71	CONT1P025024V	CONTACTOR 25 AMP, 1P, 24V (M1, M2, M3, M4, M5, M6, M7, M8)
71	CONT1P030024V	CONTACTOR 30 AMP, 1P, 24V (M9, M10, M11, M12, M13, M14)
71	CONT2P040024V	CONTACTOR 40 AMP, 2P, 24V (M15, M16, M17)
91	CAP050400440CT	CAPACITOR 5/40/440V/DUAL RD (M4, M5, M6)
91	CAP050450440CT	CAPACITOR 5/45/440V/DUAL RD (M1, M2, M3, M7, M8, M9, M10, M11, M12, M13, M14)
91	CAP050700440CT	CAPACITOR 5/70/440V/DUAL RD (M15, M16, M17)
191	20520901	CAPACITOR STRAP
331	0259G00021	WIRE HARNESS, ELECTRIC HEAT

**Expanded Model Nomenclature**

- M1 - GPC1424H41EA
- M2 - GPC1424H41EB
- M3 - GPC1424H41EC
- M4 - GPC1430H41EA
- M5 - GPC1430H41EB
- M6 - GPC1430H41EC
- M7 - GPC1436H41DC
- M8 - GPC1436H41DD
- M9 - GPC1442H41EA
- M10 - GPC1442H41EB
- M11 - GPC1442H41EC
- M12 - GPC1448H41EA
- M13 - GPC1448H41EB
- M14 - GPC1448H41EC
- M15 - GPC1460H41EA
- M16 - GPC1460H41EB
- M17 - GPC1460H41EC

# Blower Assembly



# Blower Assembly

Ref. Part No:	No:	Description:	Ref. Part No:	No:	Description:
<b>Image 1:</b>					
11	10324248	BLOWER HOUSING 10 X 8 (M1, M2, M3, M4, M5, M6, M7, M8, M9, M10, M11, M12, M13, M14)			
11	0271G00017	BLOWER HOUSING 11 X 8 (M15, M16, M17)			
21	0131G00034	PROGRAMMED MOTOR (M9, M10, M11)			
21	0131G00035	PROGRAMMED MOTOR (M12, M13, M14)			
21	0131M00487	PROGRAMMED MOTOR (M1, M2, M3)			
21	0131M00489	PROGRAMMED MOTOR (M4, M5, M6)			
21	0131M00495	PROGRAMMED MOTOR (M15, M16, M17)			
21	0131M00596	PROGRAMMED MOTOR (M7, M8)			
31	B1368016	BLOWER WHEEL 10 X 8 (M1, M2, M3, M4, M5, M6, M7, M8, M9, M10, M11, M12, M13, M14)			
31	B1368054	BLOWER WHEEL 11 X 8 (M15, M16, M17)			
41	0270G00025P	TRANSITION DUCT ASSY-ALL			
61	0121G00039P	HEATER KIT COVER			
81	0121G00128P	BLOWER MOUNT (M15, M16, M17)			
81	0121G00035P	BLOWER MOUNT 10 X 8 (M1, M2, M3, M4, M5, M6, M7, M8, M9, M10, M11, M12, M13, M14)			
91	0121G00040P	BLOWER SUPPORT			
161	0121M00038	MOTOR MOUNT BAND			
171	B1376853	MOTOR MOUNT ARM (M1, M2, M3, M4, M5, M6, M7, M8, M9, M10, M11, M12, M13, M14)			
171	B1376857	MOTOR MOUNT ARM (M15, M16, M17)			
201	B1393323	MACHINE SCREW HWH 1/4-20 X 1-1/2 BZ			
211	M0250565	TC SCREW 1.25" (QTY 3)			
221	B1393800	LOCKNUT, NYLON, INSERT 1/4, 20			
NS	C6121810	BLOWER CUT-OFF (M1, M2, M3, M4, M5, M6, M7, M8, M9, M10, M11, M12, M13, M14)			
NS	2964700	BLOWER CUT-OFF 11 X 8 (M15, M16, M17)			

## Expanded Model Nomenclature

M1 - GPC1424H41EA
M2 - GPC1424H41EB
M3 - GPC1424H41EC
M4 - GPC1430H41EA
M5 - GPC1430H41EB
M6 - GPC1430H41EC
M7 - GPC1436H41DC
M8 - GPC1436H41DD
M9 - GPC1442H41EA
M10 - GPC1442H41EB
M11 - GPC1442H41EC
M12 - GPC1448H41EA
M13 - GPC1448H41EB
M14 - GPC1448H41EC
M15 - GPC1460H41EA
M16 - GPC1460H41EB
M17 - GPC1460H41EC