



Wi-Fi Smart Appliance Timer
NEMA 3R Non-Metallic Enclosure
Manual Override
120-227V 40A
DPDT

CP-U49WT
Multi-Voltage
DPDT Time Control

PRODUCT BRIEF

This time control is a universal, smart time control which can be field configured for various power: 120VAC, 208VAC, 240VAC, and 277VAC, all in one unit.

This time control comes in a NEMA 3R indoor and outdoor enclosure.

This unit is intended for the control of lighting, heating, air conditioning, pumps, motors, or general electrical circuits in residential, commercial, industrial and agricultural facilities.

Switch Rating: DPDT.

SKU# & SPECIFICATION

No.	SKU#	Min. Time Interval	ON/OFF per day	Box Type	Switch Rating
1.	CP-U49WT	1 minute	15	N-3R Non-Metallic Enclosure	DPDT

TECHNICAL INFORMATION

- 120-240VAC, 60Hz, 40A resistive
- 277VAC, 60Hz, 30A resistive
- 14VDC, 30A resistive
- 120VAC, 1HP, 10A Ballast
- 208-240VAC, 2HP, 5A Ballast
- 277VAC, 1HP, 5A Ballast
- 120VAC, 8.3A Tungsten
- 208-277VAC, 5.4A Tungsten
- 120VAC, 800VA Pilot Duty
- 208-277VAC, 720VA Pilot Duty
- TV-5
- Max programs per day: 15 ON/OFF
- With power and load indicator
- With ON/OFF/ Timing manual switch
- Min. Setting time: 1 minute
- Max. Setting time: 7 days
- Environmental rating: -40°F to 130°F
- Humidity: 0-95%;

Caution: Do not check circuits by sparking wires to terminals, Damage to the timer may result.

If loads are connected to both NC and NO contactors, both contacts are derated to 67% of the above values.

LED INDICATORS FUNCTION

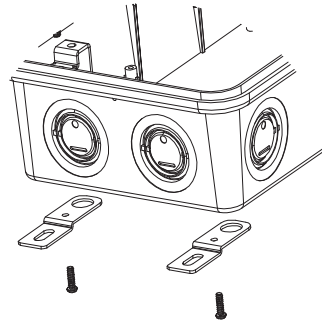
Power LED (Red) – light illuminates when power is applied to the timer.
 Status LED (Green) – light illuminates when power is applied to the loads.

INSTALLATION

Before wiring or service, power to this time control and the equipment it controls must be turned off, turning off the time control only will not prevent a shock hazard. Supplying power to time control, installation should be performed by a licensed electrician only.

Before installing this product read all instruction carefully. Choose the appropriate KO's according to the cable, wire size and direction.

Optional external mounting tabs are provided as following:



Remove protective cover panel in time control housing by pressing the clip at the bottom of cover panel.

OPERATING INSTRUCTIONS

NOTE: Hold ON/OFF button for 5 seconds while it is powered to restore the factory setting if you want to erase the timer's current settings.

Indicator Light Status

Blue light blinks every 0.5 second-Easy Mode connection

Blue light blinks every 2 seconds-AP Mode connection

Install the "BN-LINK Smart" APP

1. Search for BN-LINK Smart App on App store/Google Play Store, or just scan the QR code below to download. (For iPhone, you can use build-in camera to scan the QR code. For Android, you may need barcode scanner to do that. Please confirm the App icon before downloading.)

PS: You can also add this smart timer to bn-link smart app directly if you already have it on your phone, it is compatible and works the same way.

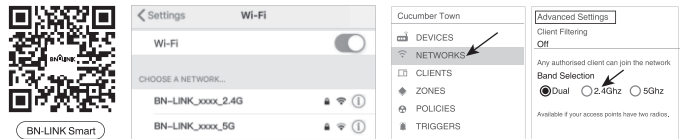
2. Register and account and memorize the password, enter your email address or your phone number, then obtain verification code to complete the registry.

Connect with Your Cellphone

Requirements: 2.4GHZ Wi-Fi network

Please note:

1. If you only have 5GHz Wi-Fi router, you will not be able to complete the connection.
2. If you are using a dual Wi-Fi router and it broadcast 2 Wi-Fi signals, make sure that your phone is connected with the 2.4GHz Wi-Fi signal, it should be the Wi-Fi signal that next to "_5G".
3. If you are using a dual-band Wi-Fi router but it broadcast only 1 Wi-Fi signal, you will have to manage your Wi-Fi router and change the settings to have 2.4GHz Wi-Fi.



A: Connection via Bluetooth-Blue indicator light blinks rapidly (twice a second) Confirm that the Bluetooth on the smartphone is activated. If you are using an Android device, the location permission must be allowed. Confirm that the smart timer powered on.

Open BN-LINK Smart app.

A dialogue box will pop up, indicating that the device has been discovered. Tap "Go to add".

Select the device you are to add.

Follow the instructions on the phone to complete the connection.

You can rename the device when it is successfully added.

B: For Easy Mode Connection-Blue indicator Light Bink Rapidly (Twice a second).

— Confirm the smart timer is powered on.

— Open BN-LINK Smart app

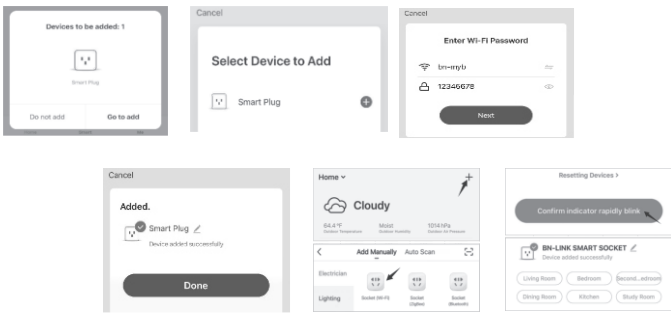
— Choose the "+" symbol

— "Socket (wifi)"

— Confirm the light status on your plug and follow the App guide.

(If you don't see blue light quickly blinking, press On/Off button to reset.)

— Set a unique name for this smart plug, choose the room location.



C: AP Mode (Indicator light blinks once every 2 seconds) If the Easy mode connection failed, please disconnect the timer from power source and reconnect again. When the indicator is blinking quickly, it is in Easy mode. Hold the power button for about 7 seconds to enter into AP mode. Once you see the indicator light slowly blinking (every 2 seconds), you can start to try the AP mode connection.

- First go back to the Add Device “+” interface. “Socket (Wifi). Then choose the “Other Mode” in the top right corner and choose AP Mode.
- Made sure the indicator light is flashing slowly and confirm it in App;
- Choose your 2.4G Wi-Fi and enter the password and confirm it in App;
- Tap “Connect now” and choose Wi-Fi hotspot named “BN-LINK Smart-xxx”, then go back to BN-LINK Smart application;
- Wait will successful configuration and then tap “Completed”.

Getting to Know BN-LINK Smart App

Note: edit the default names in this interface, for better management.

Create Automations/Groups

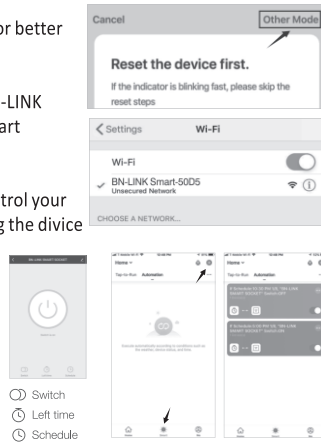
You can create certain scenes and groups on BN-LINK Smart App, it allows you to control different smart devices in different locations at the same time.

Device Sharing

If you want to give others the permission to control your smart timer you can authorize that by activating the device sharing function.

Go to the BN-LINK Smart app

- Choose the device you want to share
- Choose Edit Button
- Choose shared devices
- Add sharing
- Enter his/her BN-LINK Smart account
- Search and complete.



How To Connect with Amazon Alexa

Requirements:

1. Amazon Alexa Device and Alexa App
2. The Smart timer connected with BN-LINK Smart App
3. BN-LINK Smart App user ID and password

Add BN-LINK Smart as a “Skill” for Alexa
Open Alexa app and choose Skills & Games

— Search for BN-LINK Smart

— ENABLE TO USE

— Enter the BN-LINK Smart account

— Authorize to use

— Choose BN-LINK Smart And then, the devices you added on will sync to Alexa App.

You can also ask Alexa to discover new devices for you in this moment.

How to ask Alexa to turn on/off Smart Timer

First, you will need to make sure the names for the timer are the same on the Alexa app and on the BN-LINK Smart app.

If they are not the same, Alexa will not be able to identify the timer.

Things you can do with Alexa

*Voice Control the smart timer

*Remote Control the smart timer via Alexa App

*Add the smart timer to certain groups on Alexa App.

You should make sure all the smart devices’ names at your home are nonrepetitive and recognizable for Alexa. For other questions about Alexa, please find out with Amazon Alexa support page, or contact us for help directly by email.

Tips for using Alexa Voice Control

Please make sure the device name you set for the smart timer is unique and recognizable for Alexa voice assistant. You should make sure all the smart devices names at your home are nonrepetitive and recognizable for Alexa.

Voice assistant system needs the exact command to do the work.

How To Connect with Google Home

After you’ve connected the smart timers with the BN-LINK Smart app successfully, you can start to link them to

Google Home app:

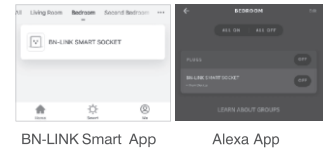
Open Google Home app and find “Set up device”

— Click “Works with Google”

— Search BN-LINK Smart

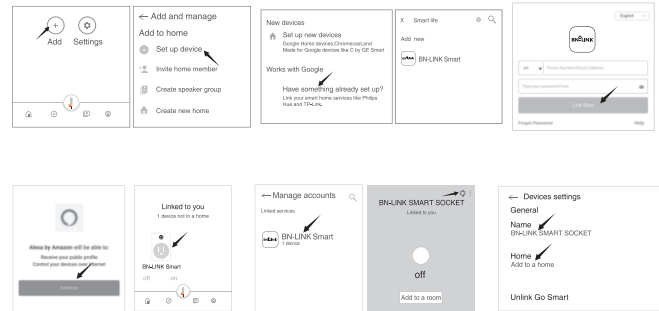
— Enter your BN-LINK Smart account

— Authorize to use



After that ,you will see the smart timer at the home page of Google Home as “Linked to you”, but you still haven’t set the device name and assign a home or a room for it.

Now click the device that “Linked to you” or open “Works with Google” again to manage your linked devices, follow the steps below and set up the device names, rooms and home for the smart timer you won’t be able to voice control it before you complete that.

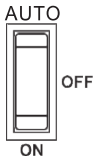


OVERRIDE SWITCH FUNCTION

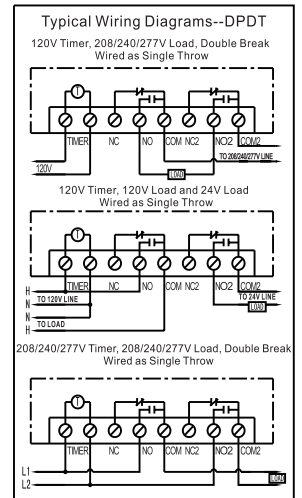
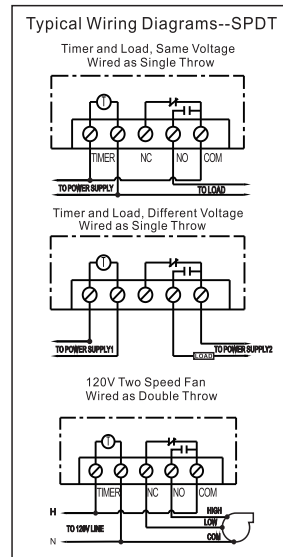
AUTO– Programs actived: timer will function according to scheduled program

OFF– Always off: timer is in override and in "OFF" mode until override switch is set to ON or AUTO

ON– Always on: timer is in override and load will remain "ON" until the override switch is reset to OFF or AUTO



WIRE CONNECTION DRAWINGS



BN-LINK INC.

11701 6th Street, Rancho Cucamonga, CA 91730
Customer Service Assistance: 1.909.592.1881
E-mail: support@bn-link.com
Http://www.bn-link.com
Hours: 9AM - 5PM PST, Mon - Fri
Designed in California Made in China