

Reptile Heat Pad Instructions

Thank you for choosing the Reptile Heat Pad. Our goal is to provide the best products to enhance your pet's life.

This is an electrical product. Please ensure you read and understand the instructions below before using your reptile heat pad. Failure to do so may result in electrical shock or fire causing serious bodily injury.

WARNING!

RISK OF ELECTRICAL SHOCK

The product is designed specifically for pets and not to be used by humans. This is an electrical product. Please read all directions before use. Failure to do so may result in electrical shock or fire causing serious bodily injury.

Read all instructions before using this product.

For pet use only, NOT for human use.

Do not use folded.

Do not immerse in liquid.

Do not use pins or other metallic means to fasten this pad in place.

Not for machine wash, spot clean by hand only.

Do not rest tank on cord or plastic housing.

Discard pad if it shows any signs of deterioration such as cracking, blistering, melting, or discoloration.

Inspect cord periodically. Do not use if cord is damaged or frayed.

Features:

Single circuit provides consistent temperature.

Durable construction, waterproof and easy cleaning.

For use on glass terrariums only. Do not use on wood, plastic, acrylic or any other terrarium.

The heating temperature will be affected by the environment, about 68-86 °F (20~30 °C) in winter and less than 113°F(45°C) in summer.

Operation:

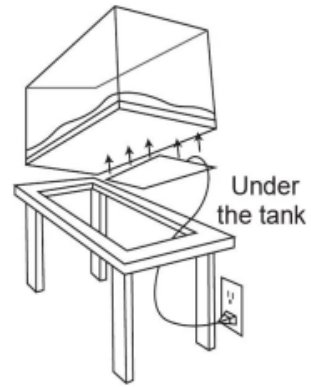
Rotate the switch clockwise to turn on.

Rotate clockwise to adjust temperature from low to high.

Rotate the switch counter clockwise to turn off.

Limitations of Liability:

1. Terms of usage is unconditional upon your acceptance, without changes to the terms, conditions or notice listed herein.
 2. Proper use including reviewing all safety precautions.
 3. No prohibited or unlawful use. The products is intended for humans use only.
 4. Our reserves the right to change the terms and conditions under which this product is offered.
 5. Buyer assumes all risks and liability from the use of this product.
- Our is not liable for any damages arising from use or misuse of this product.



Specifications:

Model name:	Reptile Heat Mat		
Model No.:	RH-0806C	RH-1208C	RH-1808C
Size:	8x6inch	8x12inch	8.5x18.5inch
Input:	EU/UK version: AC 220 ~ 240V 50/60Hz JP/US version: AC100~ 120V 50/60Hz		
Power:	8 Watts	16 Watts	24 Watts

BN-LINK INC.

11701 6th Street, Rancho Cucamonga, CA 91730

Email: Support@bn-link.com

Hours: 9AM - 5PM PST, Mon - Fri

Custom Service Assistance: 1.909.592.1881

[Http://www.bn-link.com](http://www.bn-link.com)

Designed in California



MADE IN CHINA