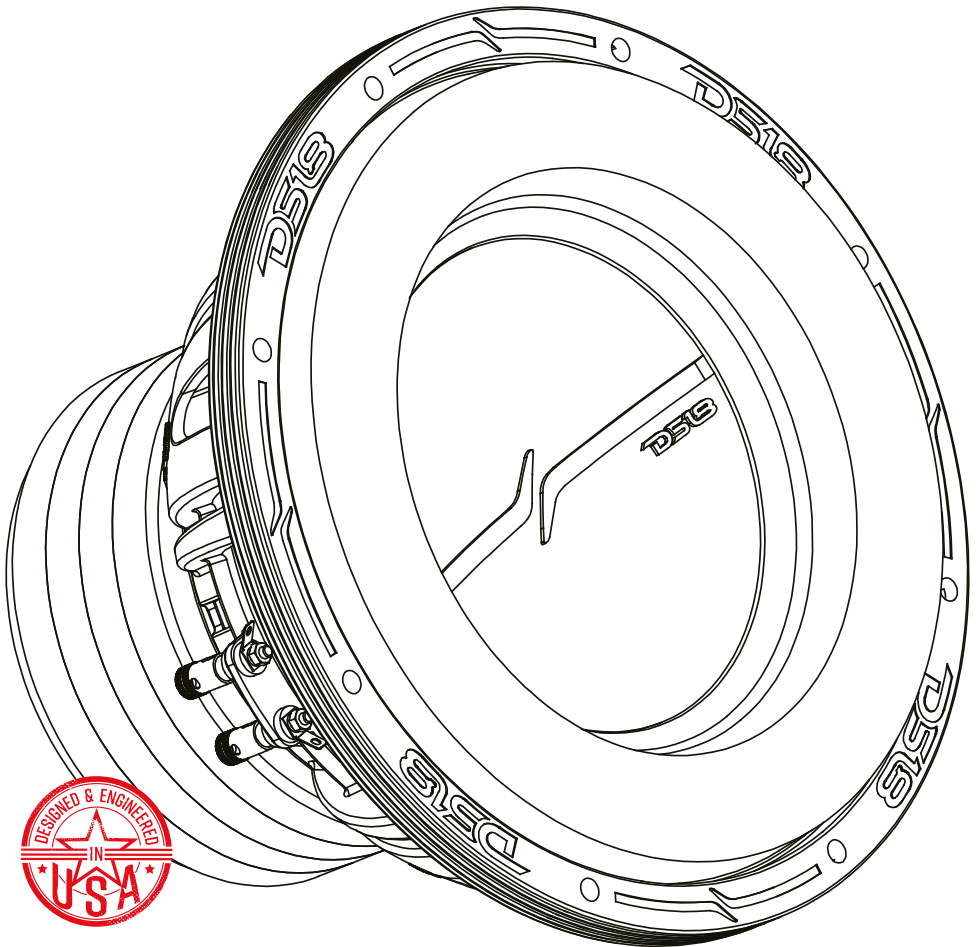




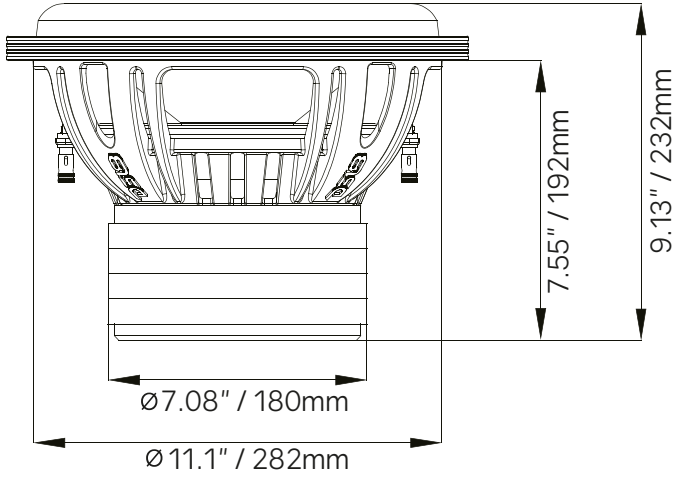
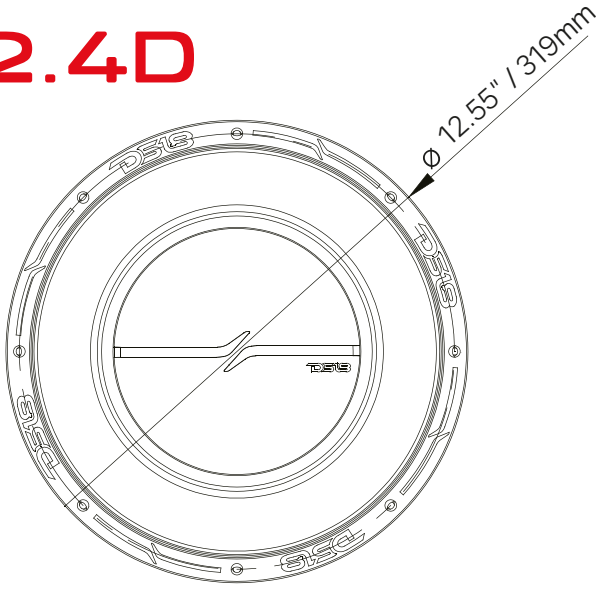
DS18[®]

OWNER'S MANUAL

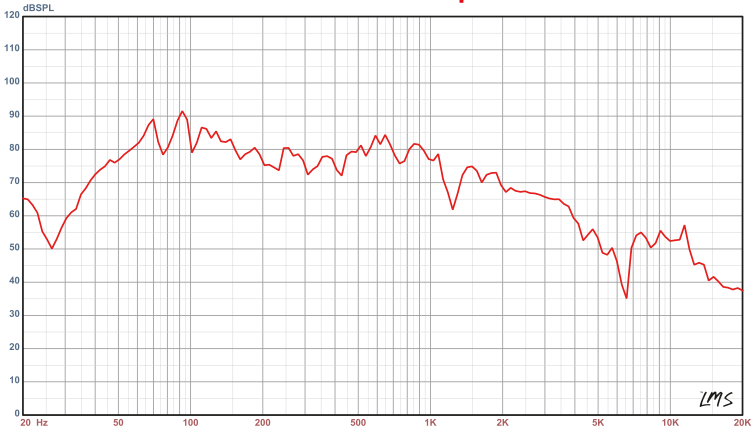
ZXi12.4D
HIGH EXCURSION
12" SUBWOOFER DVC 4-OHM



ZXi12.4D



SPL vs Freq





Specifications:

Nominal Diameter.....	12"
Nominal Impedance.....	4 + 4 ohms
.....	1000 Watts
.....	2000 Watts
RMS Power Handling.....	89.2dB
.....	10Hz -
MAX Power Handling.....	1.8KHz

Motor:

Voice Coil Diameter.....	3" (76.5mm)
Voice Coil Former Material.....	Black Aluminum
.....	CCAW
Winding Material.....	Non-Pressed Paper
.....	PPI
.....	Foam
Cone Material.....	Aluminum
.....	Ferrite
.....	224 Oz (4 x 56 oz)
Dust Cap Material.....	0.14 ft3 / 3.99 L

Thiele & Small Parameters:

Equivalent Volume.....	Vas.....	15.635L
Excursion (one way).....	32mm
Free Air Resonance.....	Xmax.....	31.4Hz
Mechanical Factor.....	5.274
Electrical Factor.....	Fs	0.594
Total Factor.....	0.534
Moving Mass.....	.	238.433g
Compliance.....	Qms	0.065
BI Factor.....	14.55
Voice Coil Inductance.....	Qes.....	12.89 mh
Diaphragm Area.....	530.93cm
Dc Resistance.....	Qts.....	4.0+4.0 ohms
Efficiency Bandwidth Product.....	52.8

Measurements:

Overall Diameter.....	12.55" / 319mm
.....	9.13" / 232mm
.....	11.1" / 282mm
Overall.....	7.55" / 192mm
Depth.....	7.08" / 180mm

ZXi12.4D



FOR MORE INFORMATION
PLEASE VISIT
DS18.COM

WE LIKE IT LOUD

The DS18 logo, featuring the letters "DS18" in a bold, stylized, italicized font. The "1" is a vertical bar. To the left of the logo is a thick red horizontal bar with a diagonal cutout on its left side.

DS18[®]