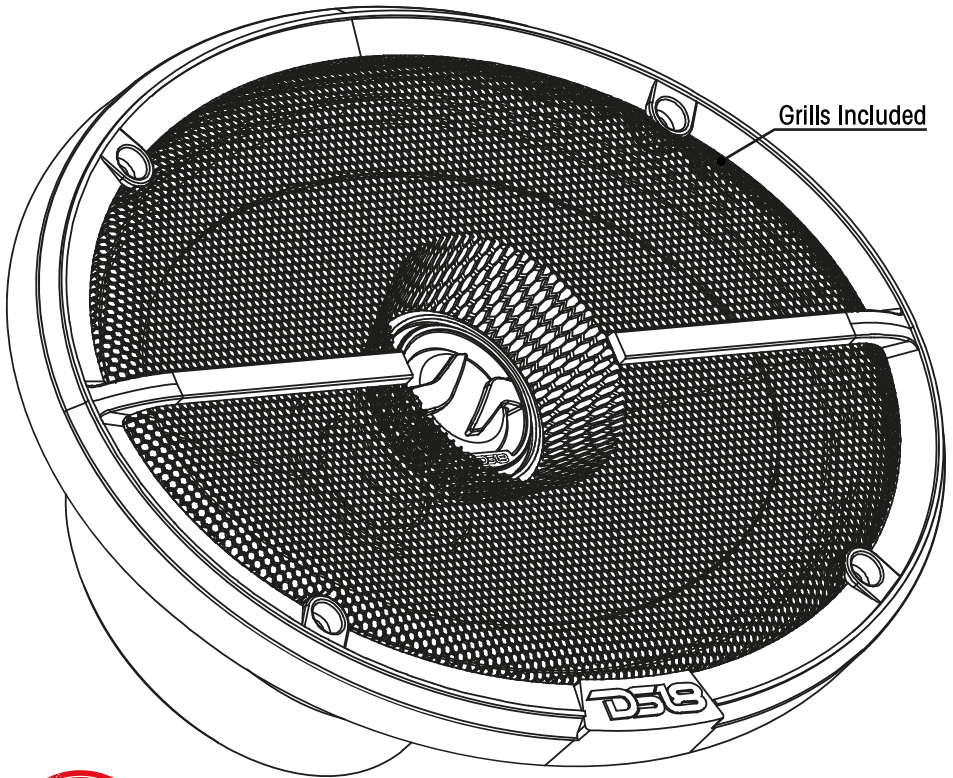


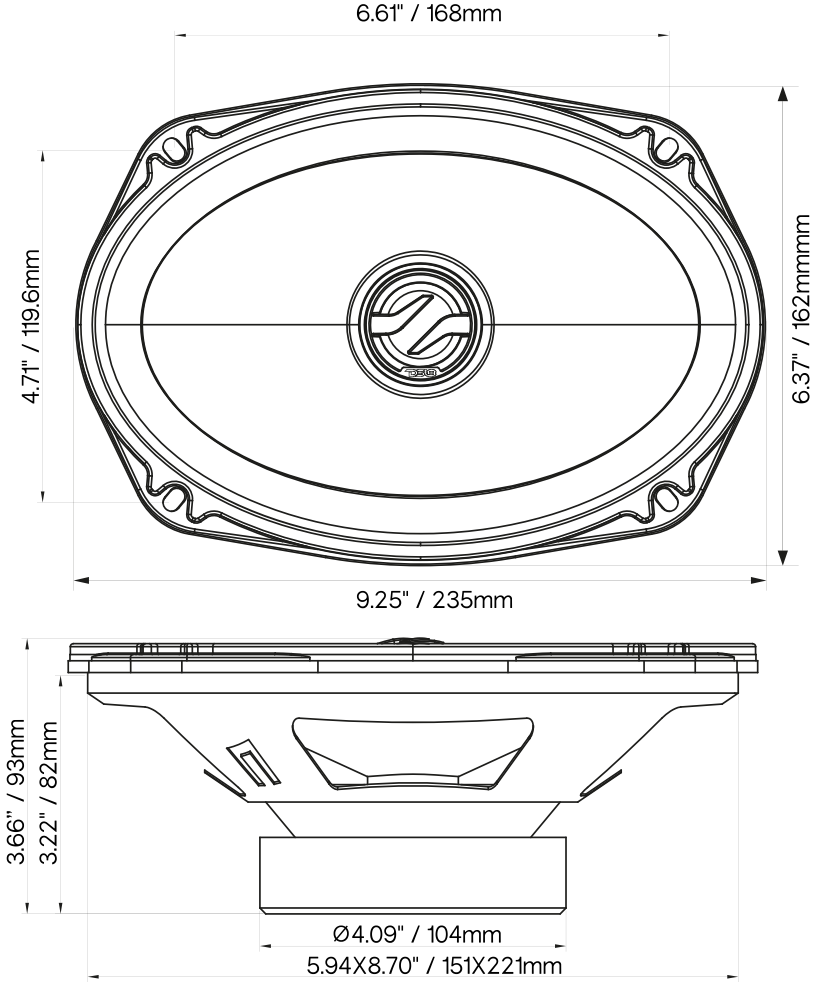


DS18[®]

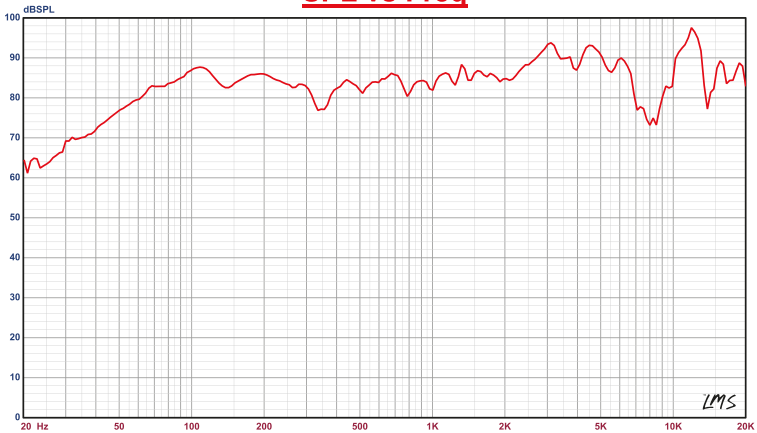
OWNER'S MANUAL
ZXI-694
6x9" 2-WAY COAXIAL SPEAKER
PAIR



ZXI-694



SPL vs Freq





Specifications

Nominal Diameter.....	6X9"
Nominal Impedance.....	4 ohm
RMS Power Handling.....	120 Watts
MAX Power Handling.....	360 Watts
Sensitivity (1w/1m).....	92dB
Frequency Response.....	31.5Hz-20KHz
Recommended HI Pass Crossover.....	50Hz
Speaker Type.....	2-Way

Midrange:

Voice Coil Diameter	1.2" / 30.4mm
Voice Coil Former Material	KSV
Winding Material	EISV
Cone Material	Glass fiber
Surround Material	Rubber
Basket Material	Steel
Magnet Material.....	Barium Ferrite
Magnet Weight.....	19.4 oz / 550g

Tweeter:

Nominal Diameter.....	1" (25.4mm)
Voice Coil Diameter.....	0.8"(ø20.4mm)
Voice Coil Former Material	KSV
Winding Material	EISVM
Diaphragm Material.....	PEI
Magnet Material.....	Neodymium
Magnet Weight.....	8.5g

Thiele & Small Parameters

Equivalent Volume	Vas.....	17.52L
Excursion (one way)	Xmax.....	3.3mm
Free Air Resonance	Fs	58Hz
Mechanical Factor	Qms	5.77
Electrical Factor	Qes.....	1.18
Total Factor	Qts.....	0.98
Mechanical Mass	Mms.....	23.44g
Mechanical Compliance	Cms.....	286mm/N
BL Factor	BL.....	5.18
Voice Coil Inductance	Le.....	178mH
Cone Area	Sd.....	207.7cm ²
DC Resistance	Re.....	3.5 ohm
Mechanical Mass w/o air	Mmd.....	20g

Measurements

Overall Diameter	6.37x9.25" / 162x235mm
Overall Depth	3.66" / 93mm
Front Mount Baffle Cutout	5.94x8.70" / 151x221mm
Mouting Depth	3.22" / 82mm
Motor Diameter	4.09" / 104mm

ZXI-694 6x9" 2-WAY COAXIAL SPEAKER



FOR MORE INFORMATION
PLEASE VISIT
DS18.COM

WE LIKE IT LOUD

The DS18 logo, featuring the letters "DS18" in a bold, italicized, sans-serif font. The "1" is a vertical bar. A registered trademark symbol (®) is located to the upper right of the "8".

DS18[®]