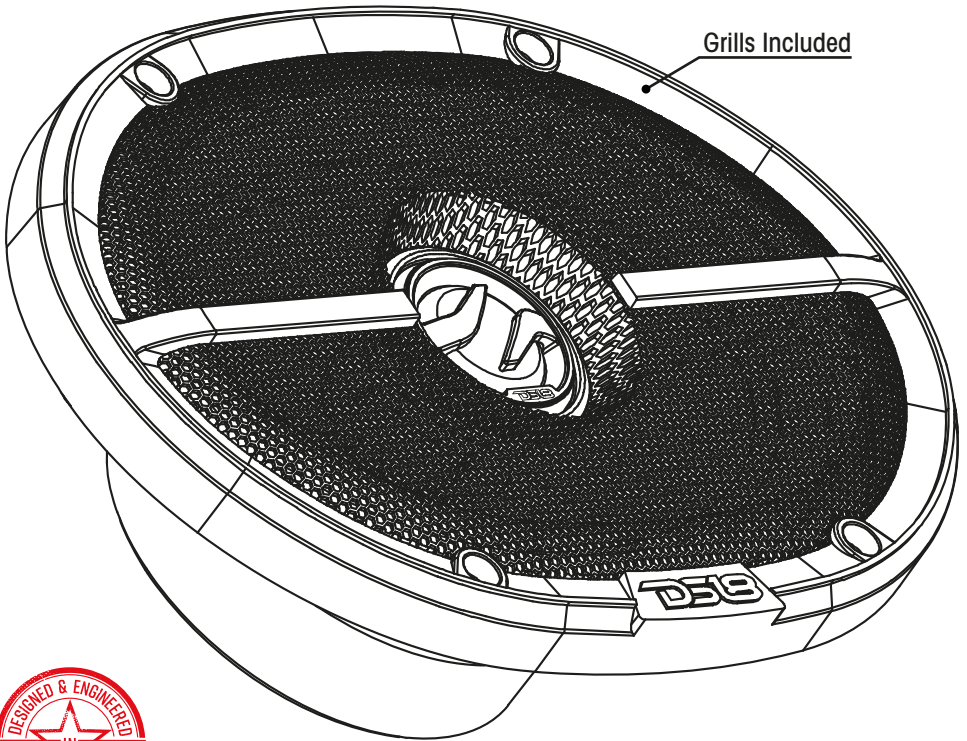


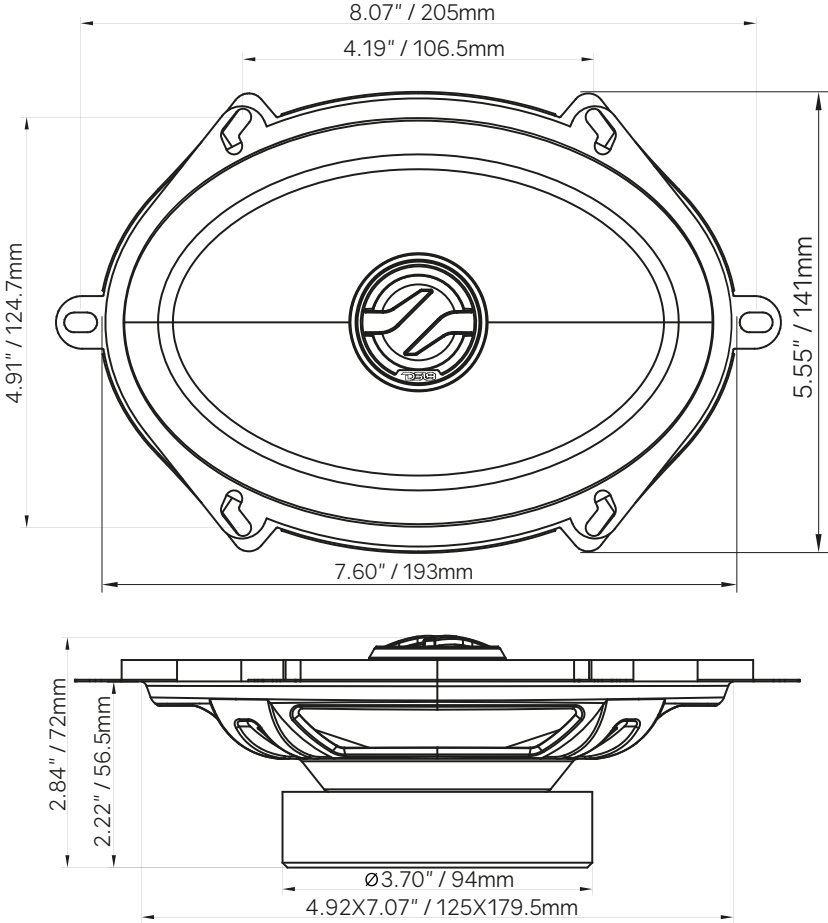


DS18[®]

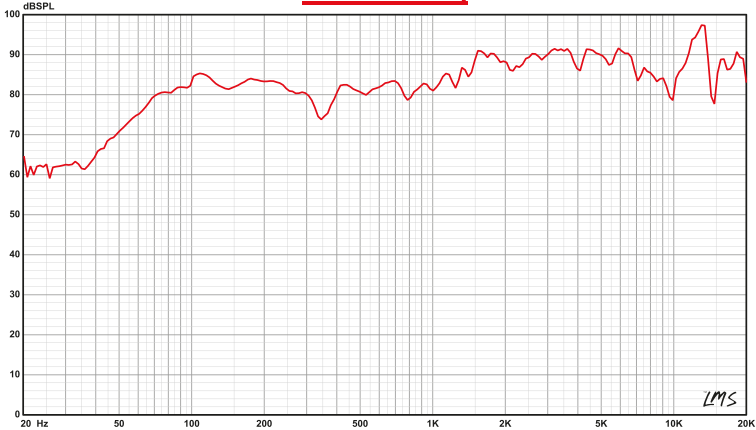
OWNER'S MANUAL
ZXI-574
5X7" 2-WAY COAXIAL SPEAKER
PAIR



ZXI-574



SPL vs Freq



LMS



ZX1-574 5x7" 2-WAY COAXIAL SPEAKER

Specifications

| | |
|------------------------------------|------------|
| Nominal Diameter..... | 5x7" |
| Nominal Impedance..... | 4 ohm |
| RMS Power Handling..... | 70 Watts |
| MAX Power Handling..... | 210 Watts |
| Sensitivity (1w/1m)..... | 91dB |
| Frequency Response..... | 40Hz-20KHz |
| Recommended HI Pass Crossover..... | 60Hz |
| Speaker Type..... | 2-Way |

Midrange:

| | |
|----------------------------------|-----------------|
| Voice Coil Diameter | 1" / 25.5mm |
| Voice Coil Former Material | KSV |
| Winding Material | EISV |
| Cone Material | Glass fiber |
| Surround Material | Rubber |
| Basket Material | Steel |
| Magnet Material..... | Barium Ferrite |
| Magnet Weight..... | 14.46 oz / 410g |

Tweeter:

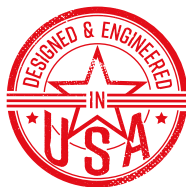
| | |
|----------------------------------|----------------|
| Nominal Diameter..... | 1" (25.4mm) |
| Voice Coil Diameter..... | 0.8" (ø20.4mm) |
| Voice Coil Former Material | KSV |
| Winding Material | EISVM |
| Diaphragm Material..... | PEI |
| Magnet Material..... | Neodymium |
| Magnet Weight..... | 0.3 oz / 8.5g |

Thiele & Small Parameters

| | | |
|-------------------------|-----------|----------------------|
| Equivalent Volume | Vas..... | 8.66L |
| Excursion (one way) | Xmax..... | 2.7mm |
| Free Air Resonance | Fs | 68Hz |
| Mechanical Factor | Qms | 7.04 |
| Electrical Factor | Qes..... | 1.28 |
| Total Factor | Qts..... | 1.08 |
| Mechanical Mass | Mms..... | 16.1g |
| Mechanical Compliance | Cms..... | 258.7mm/N |
| BL Factor | BL..... | 4.66 |
| Voice Coil Inductance | Le..... | 228mH |
| Cone Area | Sd..... | 153.5cm ² |
| DC Resistance | Re..... | 3.5 ohm |
| Mechanical Mass w/o air | Mmd..... | 14g |

Measurements

| | |
|---------------------------------|--------------------------|
| Overall Diameter | 5.55x7.60" / 141x193mm |
| Overall Depth | 2.84" / 72mm |
| Front Mount Baffle Cutout | 4.92x7.07" / 125x179.5mm |
| Mouting Depth | 2.22" / 56.5mm |
| Motor Diameter | 3.70" / 94mm |



FOR MORE INFORMATION
PLEASE VISIT
DS18.COM

WE LIKE IT LOUD

The DS18 logo, featuring the letters "DS18" in a bold, italicized, sans-serif font. The "1" is smaller and positioned between the "S" and "8". A registered trademark symbol (®) is located to the upper right of the "8".

DS18[®]