



# DS18<sup>®</sup>

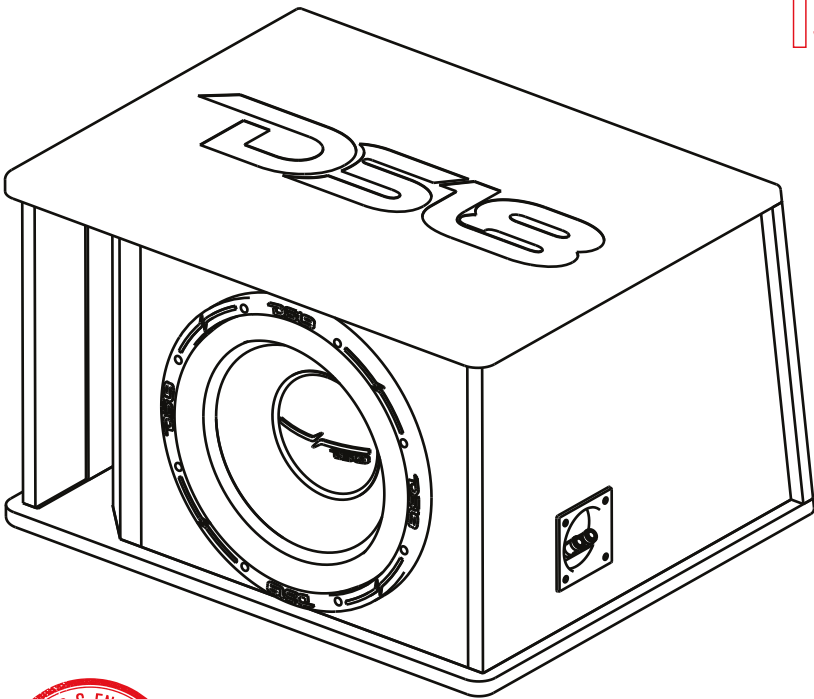
## OWNER'S MANUAL *MANUAL DEL USUARIO*

## ZR112LD

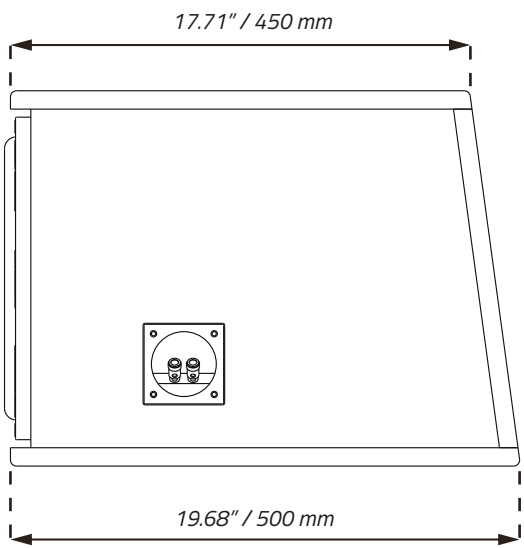
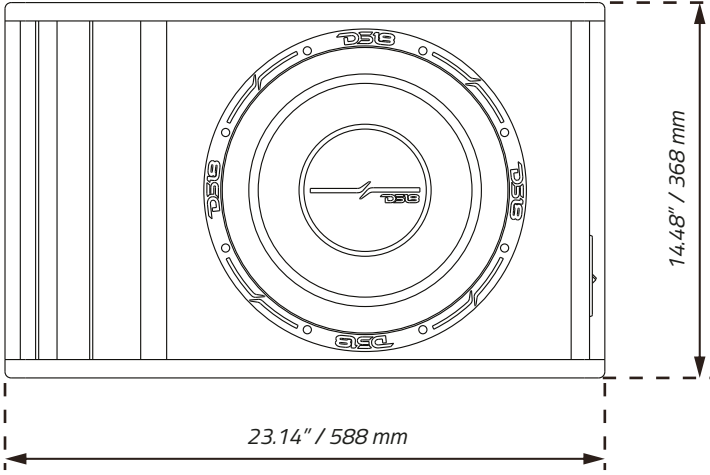
SINGLE 12" SUBWOOFER WITH  
LOW TUNE PORTED BOX LOADED

CAJA PORTEADA DE BAJO TUNEO CON  
UN SUBWOOFER DE 12" INCLUIDO

# 1Ω



# ZR112LD





## SPECIFICATIONS / ESPECIFICACIONES:

|  |                    |
|--|--------------------|
| Speaker Type/Size / Tipo/Tamaño de Altavoz.....                      | Single 12" / 316mm |
| Total Impedance / Impedancia Total.....                              | 1 ohm              |
| Total RMS Power Handling / Manejo de Potencia RMS total.....         | 800W               |
| Total MAX Power Handling / Manejo de Potencia MAX total.....         | 1600W              |
| Sensitivity (1w/1m) / Sensibilidad (1w/1m).....                      | 84dB               |
| Frequency Response / Respuesta de Frecuencia.....                    | 20Hz-200Hz         |
| Recommended Lo Pass Crossover / Crossover Paso Bajo Recomendado..... | 70Hz               |

## MOTOR / MOTOR:

|   |                                      |
|---|--------------------------------------|
| Voice Coil Diameter / Diámetro de la Bobina de Voz.....             | 2.5"/61.6 mm                         |
| Voice Coil Former Material / Material Interior de Bobina Móvil..... | Aluminum / Aluminio                  |
| Winding Material / Material de Bobinado.....                        | Copper / Cobre                       |
| Cone Material / Material del Cono.....                              | Non-Pressed Paper / Papel no Presado |
| Dustcap Material / Material de la Tapa Anti-polvo.....              | PPI                                  |
| Surround Material / Material de la Suspensión.....                  | Foam / Espuma                        |
| Basket Material / Material de la Canasta.....                       | Steel / Acero                        |
| Magnet Material / Material del Imán.....                            | Ferrite / Ferrita                    |
| Magnet Weight / Peso del Imán.....                                  | 100 oz                               |

## BOX SPECIFICATIONS / ESPECIFICACIONES DE LA CAJA:

|   |                               |
|---|-------------------------------|
| Internal Volume / Volumen interno.....            | 79.3L / 2.8 ft3               |
| Port Tune / Melodía de Puerto.....                | 29 Hz                         |
| Load Configuration / Configuración de carga.....  | Ported Box / Caja Portada     |
| Box Type / Tipo de caja.....                      | Single 12" / Individual 12"   |
| Box Material / Material de la caja.....           | 3/4" (19mm) MDF               |
| Finish Material / Material de acabado.....        | Black Carpet / Alfombra Negra |
| Logo / Logo.....                                  | Red Stitched / Rojo Tejido    |
| -3Db Dropping Point / Punto de caída de -3Db..... | 24 Hz                         |

## MEASUREMENTS / MEDIDAS:

|                              |                 |
|------------------------------|-----------------|
| Height / Altura.....         | 14.48" / 368 cm |
| Width / Ancho.....           | 23.14" / 588 cm |
| Depth 1 / Profundidad 1..... | 17.71" / 450 mm |
| Depth 2 / Profundidad 2..... | 19.68" / 500 mm |

WE LIKE IT LOUD



FOR MORE INFORMATION  
PLEASE VISIT  
[DS18.COM](http://DS18.COM)

*WE LIKE IT LOUD*

The DS18 logo, consisting of the letters "DS18" in a bold, stylized, italicized font. The "D" and "S" are connected, and the "18" is separate. A registered trademark symbol (®) is located to the upper right of the "8".

**DS18<sup>®</sup>**