

# DS18<sup>®</sup>

A black rectangular amplifier unit with a red vertical stripe on the left side. The stripe contains the 'X4' logo in white. Below the stripe, the 'DS18' logo is printed in white. The unit has two handles on the right side.

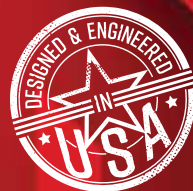
**X4**

**DS18**

## **X4**

**ULTRA SMALL  
FULL RANGE  
CLASS D AMP**

AUDIO PRECISION QUALITY CONTROL VERIFICATION  
STABLE & RELIABLE MULTI LAYERS PCB TRACE LAYOUT  
POWER & PROTECTION LED LIGHT STATUS INDICATOR  
SHORT, THERMAL, AND VOLTAGE CIRCUIT PROTECTION  
140 WATTS X 4 CH @ 2 OHMS RMS OUTPUT  
70 WATTS X 4 CH @ 4 OHMS RMS OUTPUT  
220 WATTS X 2 CH @ 4 OHMS RMS BRIDGE OUTPUT  
FREQUENCY RESPONSE: 20-20 KHZ  
SIGNAL TO NOISE RATIO: >90DB  
SELECTABLE X-OVER: LPF/FLAT/HPF  
FIXED LPF/HPF FREQUENCY: 80HZ  
LOW LEVEL INPUT RANGE: 0.2-5V  
INPUT CONFIGURACION: 2CH/4CH  
LEDS INDICATE WORKING STATUS: POWER/PROTECTION  
DIMENSIONS: 140.8LX82.4WX34H (MM)



Thank you for choosing DS18/X4 series amplifier! Your choice of candy series amps indicates a desire for high quality music reproduction in the automobile. DS18/X4 amplifier brings to you over four decades of car audio expertise. So whether you are a daily driver music lover, or a serious car audio competitor. DS18/X4 amplifiers have the product for you.

To take full advantage of the DS18/X4 amplifier gear you have just purchased, please read and follow the instructions in this manual. As with all of our products, professional installation by an authorized dealer is highly recommended. Otherwise, the performance of your new gear may not be satisfactory.

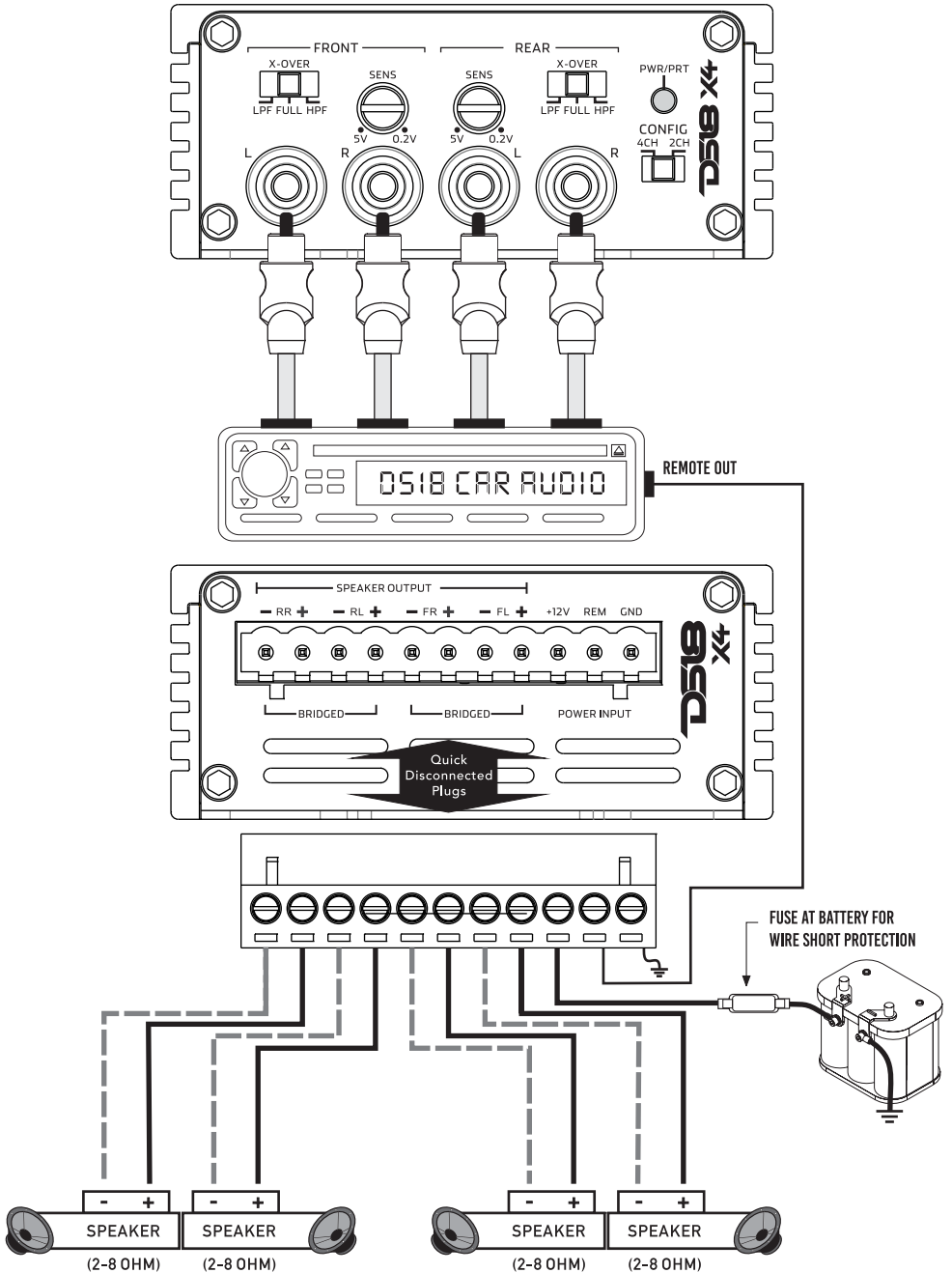
In addition to the installation services and expertise offered by an authorized DS18/X4 amplifier dealer, the warranty of this product may be extended when installed by an authorized DS18/X4 amplifier dealer. Be sure to ask your authorized DS18/X4 amplifier dealer about whether your product may qualify for an extended warranty. You are headed in the right direction with DS18/X4 amplifier.

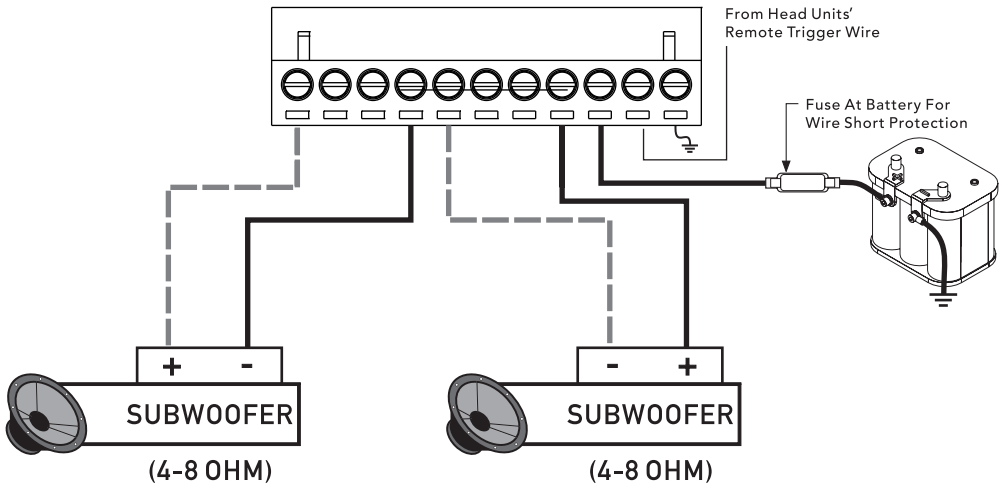
## INTRODUCTION

The DS18/X4 amplifier for high quality audio reproduction for the audiophile and the everyday listener alike, allowing you the ability to tailor the sound to best fit the speakers and your listening preferences. ensures solid electrical connections that resist corrosion. Fully variable crossover. Additionally, they may be used in conjunction with outboard passive or active crossovers, depending on the complexity required by the system. the 12dB per octave slope offers steep roll-off above or below the selected frequency. Protection circuitry against overload, short circuit, thermal, low voltage, high voltage, and reverse polarity. This protection features are designed to protect the amplifier from misuse, as well as from common causes of amplifier failure.

## INSTALLATION INSTRUCTIONS

- 1- Before you start disconnect the negative cable from the battery. Tape up the end so it is isolated from the battery.
- 2- Run an appropriate gauge wire from the battery to the amplifier. Plan this part of the installation carefully. This cable will carry very high current. If it should short to the body and it is not properly fused it could catch fire.
- 3- Connect the power wire to the battery using a fuse capable of the total current load of all amplifiers connected. Don't install the fuse yet. Wait until the end. Locate the fuse as close as possible to the battery. The fuse is further that 18 inches (wire length) from the battery you should reevaluate the wire and fuse placement.
- 4- Find the closest clear metal area to the amp for a ground. Sand, grind or scrape all paint and undercoating from the body and screw the ground securely in place. It is advisable to test the ground with an ohmmeter between the ground cable and the negative battery cable to ensure a good low resistance connection. Some alloys used in some modern cars do not offer the best ground. If you believe this is the case, consult with the vehicle manufacturer.
- 5-Run the speaker wire to the speakers. it is advised that you leave some extra wire at this point! You can clean it up later.
- 6-If you haven't already done so, mount the amp now.
- 7-Connect the power and ground to the amplifier (only after this step should you install the fuse at the battery)
- 8-Connect the remote wire from the head unit to the amplifier. Now is a good time to turn on the amplifier for the first time and make sure it turns on properly and does not go into protection.
- 9-Connect the speaker wires to the amp and speakers (make sure the amp is off first) make sure the polarity (+ and -) are correct
- 10- Connect the RCA's to the amp.
- 11- Double check the amplifier's control at this time. Make sure everything is set correctly for your system.
- 12- Now you are ready to play it for the first time. It is best to leave the gain all the way down at first. Start with the head unit volume low and make your way up.
- 13- Now you can tune the amp. Take your time and make only one adjustment at a time. It may take some time to get the system fully adjusted. During this time the amp is drawing current from the battery. You should check the battery voltage from time to time and recharge it if it gets low . That's it . You are done, have fun !





## WARRANTY

Should your amplifier require service Please consult with the dealer from which it was purchased, or contact DS18 Local Dealer.

Do not attempt to return your amplifier directly to us without first calling for a Return Authorization Number. Units received without an accompanying Return Authorization Number will be processed more slowly. Additionally, you must include a copy of your purchase receipt from an authorized dealer for consideration of in-warranty service; otherwise repair charges will apply. Units received without a receipt will be held for 30 days, allowing us time to contact you and obtain a copy of the receipt. After 30 days, all units will be returned.



[www.ds18.com](http://www.ds18.com)

**WE LIKE IT LOUD!**