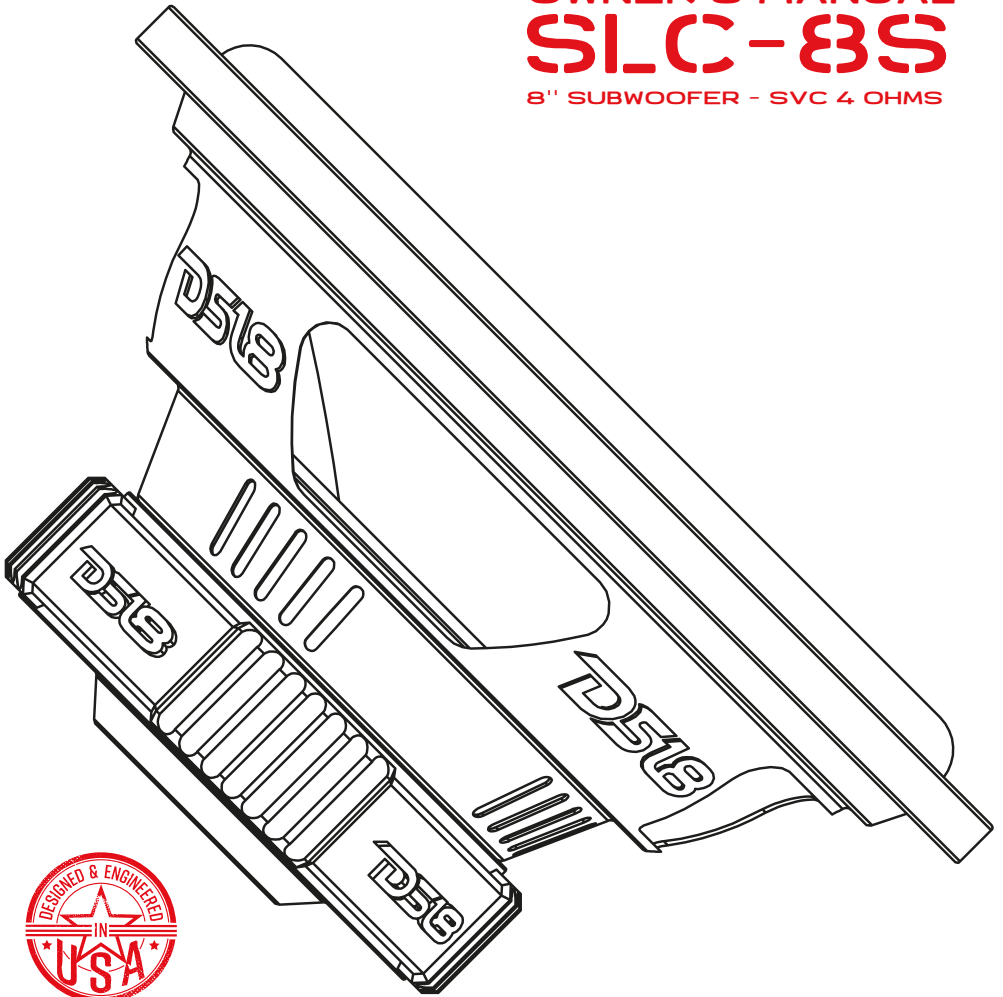




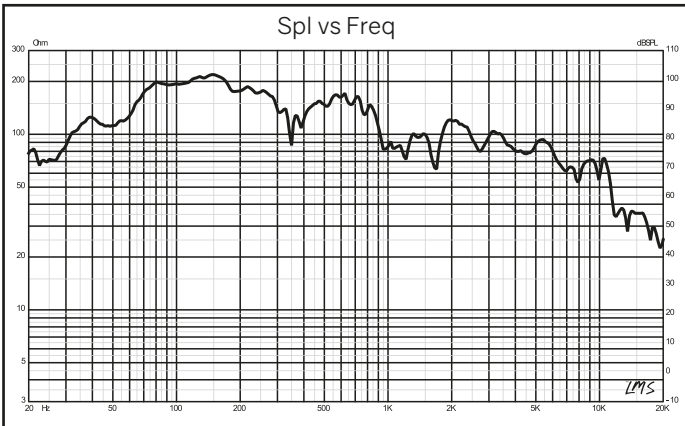
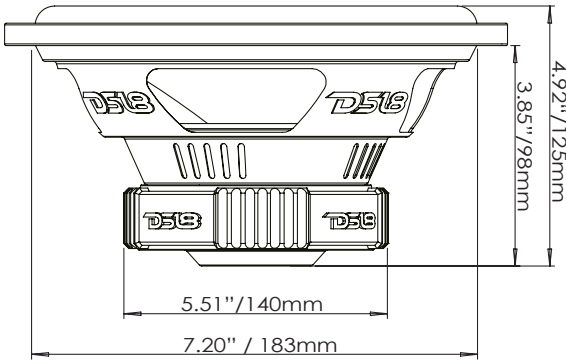
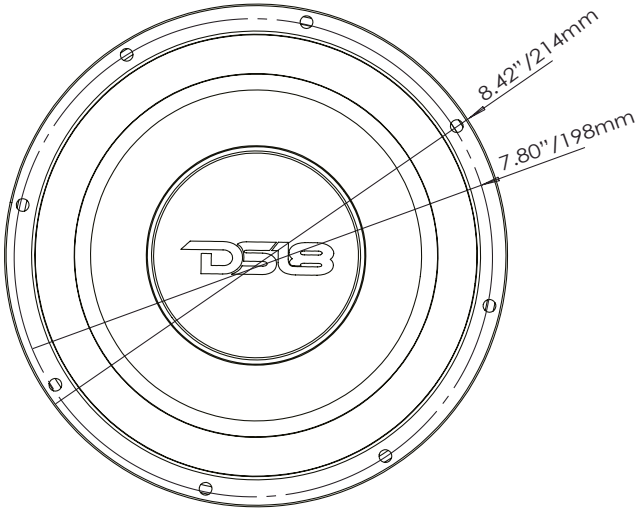
D518[®]

OWNER'S MANUAL SLC-8S

8" SUBWOOFER - SVC 4 OHMS



SLC-8S





Specifications

Nominal Diameter.....	8"
Nominal Impedance	4 ohms
RMS Power Handling	200 Watts
MAX Power Handling	400 Watts
Sensitivity (1w/1m)	84 dB
Frequency Response.....	35Hz-4.5KHz
Recommended Lo Pass Crossover.....	120Hz

Motor

Voice Coil Diameter.....	2" / 50.8mm
Voice Coil Former Material	Aluminum
Winding Material	CCAW
Cone Material.....	Paper
Dust Cap Material.....	Paper
Surround Material.....	Foam
Basket Material	Steel
Basket Color/Finish.....	Glossy black
Magnet Material.....	Ferrite
Magnet Weight.....	38 Oz

Thiele & Small Parameters

Equivalent Volume	Vas.....	7.786 L
Excursion (one way)	Xmax.....	13.5 mm
Free Air Resonance	Fs	50 Hz
Mechanical Factor	Qms	6.875
Electrical Factor	Qes.....	0.889
Total Factor	Qts.....	0.787
Moving Mass	Mms.....	115.524 g
Compliance	Cms.....	0.034 mm/N
Bl Factor	Bl	8.568
Voice Coil Inductance	Le.....	0.455 mH
Diaphragm Area	Sd.....	201.23 cm ²
Dc Resistance	Re.....	3.4 ohms
Efficiency Bandwidth Product	EBP.....	56.24

Measurement

Overall Diameter.....	8.42" / 214mm
Overall Depth.....	4.92" / 125mm
Front Mount Baffle Cutout.....	7.20" / 183mm
Mouting Depth.....	3.85" / 98mm
Motor Diameter.....	5.51" / 140mm

SLC-8S



FOR MORE INFORMATION
PLEASE VISIT
DS18.COM

WE LIKE IT LOUD

The DS18 logo, featuring the letters "DS18" in a bold, italicized, sans-serif font. The "1" is a vertical bar. The logo is positioned at the bottom right of the page, with a red decorative graphic element consisting of a horizontal line and a diagonal slash to its left.

DS18[®]