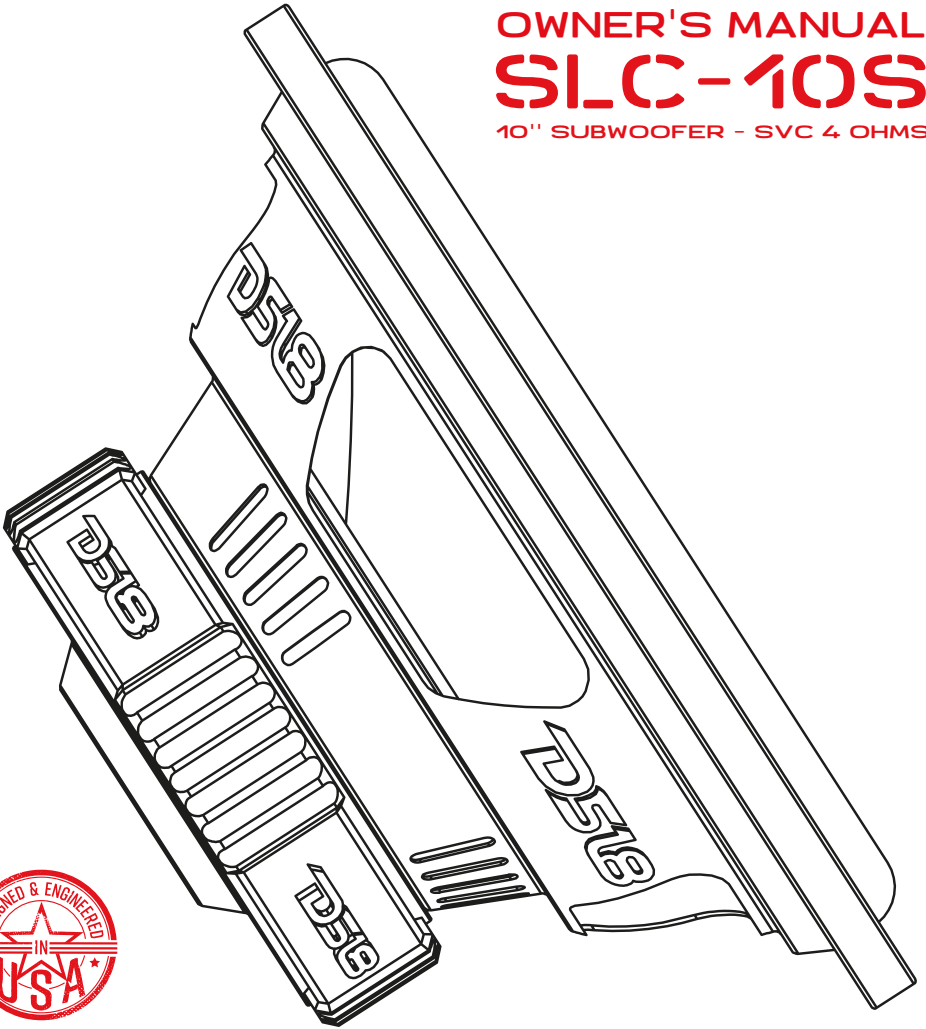


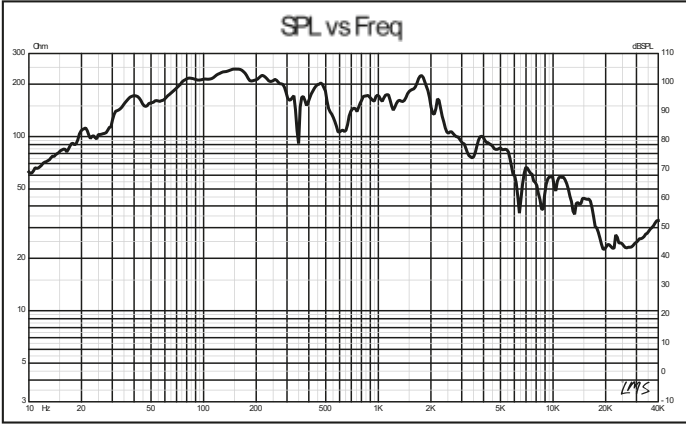
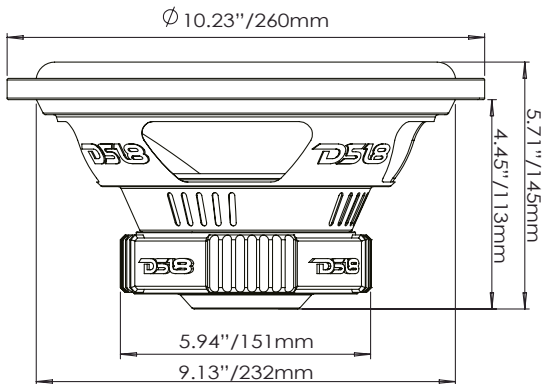
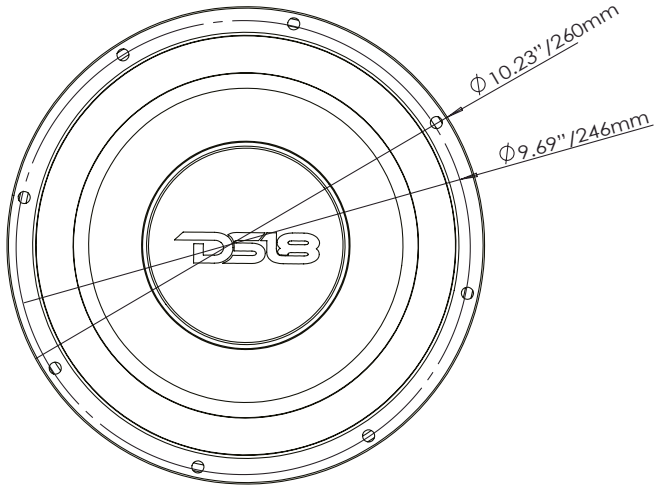
The DS18 logo is rendered in a bold, white, stylized font against a red background. The letters 'D', 'S', and '1' are connected, and the '8' is a simple, rounded shape. A registered trademark symbol (®) is located at the top right of the '8'.

DS18[®]

OWNER'S MANUAL
SLC-10S
10" SUBWOOFER - SVC 4 OHMS



SLC-10S





Specifications

Nominal Diameter.....	10"
Nominal Impedance	4 ohms
RMS Power Handling	220 Watts
MAX Power Handling	440 Watts
Sensitivity (1w/1m)	88 dB
Frequency Response.....	30Hz-4.5KHz
Recommended Lo Pass Crossover.....	100Hz

Motor

Voice Coil Diameter.....	2" / 50.8mm
Voice Coil Former Material	Aluminum
Winding Material	CCAW
Cone Material.....	Paper
Dust Cap Material.....	Paper
Surround Material.....	Foam
Basket Material	Steel
Basket Color/Finish.....	Glossy Black
Magnet Material.....	Ferrite
Magnet Weight.....	45 Oz

Thiele & Small Parameters

Equivalent Volume	Vas.....	29.26 L
Excursion (one way)	Xmax.....	15 mm
Free Air Resonance	Fs	40 Hz
Mechanical Factor	Qms	5.878
Electrical Factor	Qes.....	0.891
Total Factor	Qts.....	0.774
Moving Mass	Mms.....	131.624 g
Compliance	Cms.....	0.042 mm/H
BI Factor	BI	11.472
Voice Coil Inductance	Le.....	0.998 mH
Diaphragm Area	Sd.....	365.25 cm ²
Dc Resistance	Re.....	3.6 ohms
Efficiency Bandwith Product	EBP.....	44.89

Measurement

Overall Diameter.....	10.23" / 260mm
Overall Depth.....	5.71" / 145mm
Front Mount Baffle Cutout.....	9.13" / 232mm
Mouting Depth.....	4.45" / 113mm
Motor Diameter.....	5.94" / 151mm

S1C-10S



FOR MORE INFORMATION
PLEASE VISIT
DS18.COM

WE LIKE IT LOUD

The DS18 logo, featuring the letters "DS18" in a bold, stylized font. The "D" and "S" are connected, and the "18" is separate. A registered trademark symbol (®) is located to the upper right of the "8".

DS18[®]