

D518

HYDRO



D518

HYDRO

SBAR30BT 
SBAR35BT

OWNER'S MANUAL

▲▲ FOR ALL
ELEMENTS 
#WELIKEITLOUD



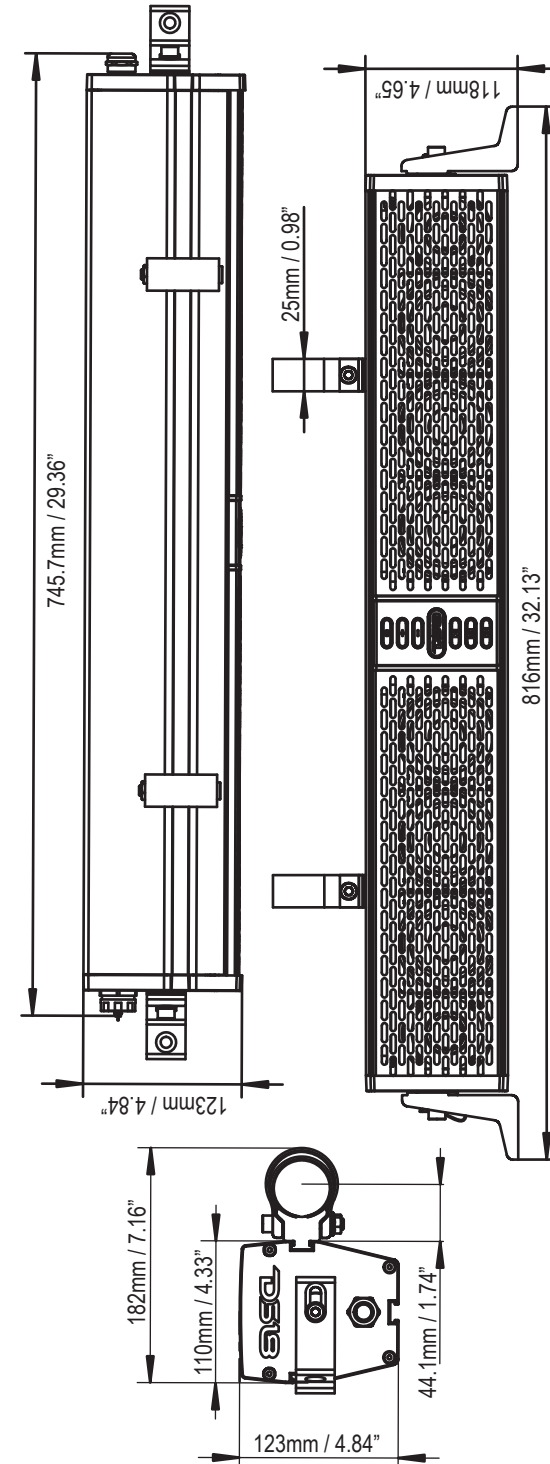


MODEL	DESCRIPTION	RMS/ MAX
SBAR30BT	HYDRO 30" 2-WAY SOUND BAR WATERPROOF SPEAKER WITH INTEGRATED RGB LED LIGHT AND BLUETOOTH SYSTEM	160W / 320W
SBAR35BT	HYDRO 35" 2-WAY SOUND BAR WATERPROOF SPEAKER WITH INTEGRATED RGB LED LIGHT AND BLUETOOTH SYSTEM	200W / 400W

For ATV /UTV, Golf Cart&Jeeps
 30"/35" WaterProof Active SoundBar With BT System
 IP65 Marine-Grade Compliant
 Continous Power Handing 80 x 2 RMS (SBAR30BT); 100W x 2 RMS (SBAR35BT)
 Peak Music Power 160 x 2 Watts MAX (SBAR30BT); 200 x 2 Watts MAX(SBAR35BT)
 CLASS D AMP With BT4.2
 2 x 1" Titanium Dome PEI Surround Tweeter with Horn Face Plate
 6 x 3" (SBAR30BT) / 8 x 3" (SBAR35BT) Speaker for Left and Right Channel
 Waterproof Paper Cone with Rubber Surround
 Magnet Material:Y35 Ferrite and Neodymium Reversed Magnet
 Efficiency: 95dB (SBAR30BT) / 97dB (SBAR35BT) 1W/1M 2.8V
 Frequency Response: 63Hz-20KHz
 Extursion Aluminium Cabinet with Black Sand Powder Coating
 AUX. 3.5mm input & output
 DC12-15 Volt Input, 3.8m Input Special Wires (FUSE, AUX IN ,AUX OUT, RGB input Wires)
 2" & 1.75" Clamp for Mast and "L" Braket for Flat Mounting
 BT AMP Auto Turn ON/OFF Circuit
 BT AMP High Temperature Protection
 BT AMP Overload Protection
 BT AMP Short-Circuit Protection
 USB3.0 Waterproof Port for Remote
 Chromed Cover Waterproof Remote Controller With 3M Connect Wires

PACKAGE INCLUDE

- 1 SET Active Sound Bar Marine Grade with BT and LED Light System
- 2 x "L" Aluminium Braket for Flat Mounting
- 2 x 2.0" for Mast Mounting Braket
- 2 x 1.75" for Mast Mounting Braket
- 2 x "T" Aluminium Base Braket for Mast Mounting
- 2 x NBR Pad for Mast Mounting
- Hardware (Stainless): 2 x M8-28, 2 x M8-55, 2 x M6-14, 2 x M8 (nut), 2 x M8 Washer, 2 x M8 Check Washer
- 3 mm & 6 mm Hex Wrench
- Remote Controller
- 3.0m USB 3.0 Waterproof Wire



SBAR30BT
RGB



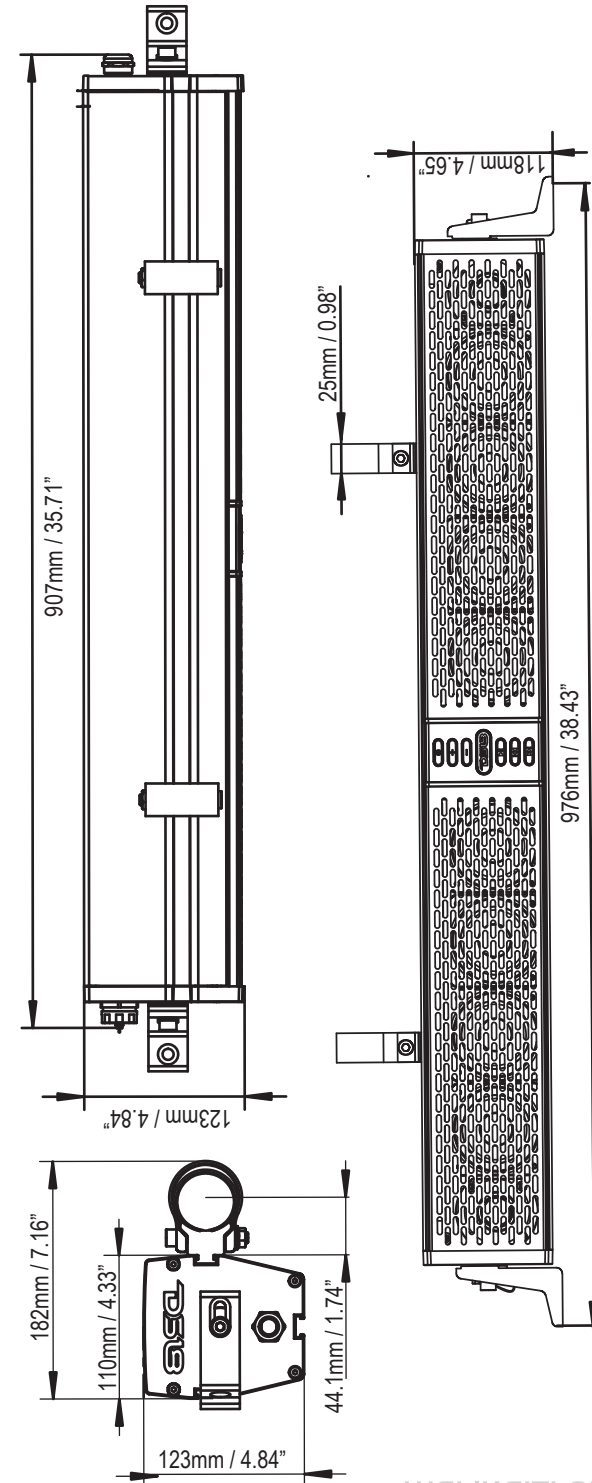
INSTALLATION CONSIDERATIONS:

1. Be sure to carefully read and understand the instructions before attempting to install these speakers.
2. For safety, disconnect the negative battery terminal from the battery prior to beginning the installation.
3. For easier assembly, we suggest you have all your tools handy-Drill, Allen set, Crimp, Soldering iron, wire strippers, heat-shrink, etc.
4. Use high quality "Water Proof" connectors for a reliable installation and to minimize signal or power loss.
5. Think before you drill! Be careful not to cut or drill into gas tank, fuel lines, brake or hydraulic lines, vacuum lines or electrical wiring when working on any vehicle. If installation in a boat, take care not to cut or drill through the main hull.
6. Never run wires near fuel lines or power (if possible). Running the wires inside the hull or car area provides the best protection.
7. Avoid running wires over or through sharp edges. Use rubber or plastic grommets to protect any wires routed through metal, especially the tower.
8. Make sure that the mounting clamp or "L" bracket are tight before leaving the dock.
9. Decide early what type of LED lighting you want (if any) and wire accordingly (NOTE: if you want "Dancing Light" look to the WIFI or RF or BT remote controlled LED light box. The easy way to have lighting ... YOUR way!)

PREPARING FOR INSTALLATION:

- An electric drill with bits
- Allen / Hex Key / Wrench Set
- Philips head and standard screw drivers
- wire strippers
- Crimping tool
- VOM (electronic volt ohm meter)
- Heat shrink tubing and heat gun
- Soldering iron
- electronic (Rosen not Acid Core) Solder

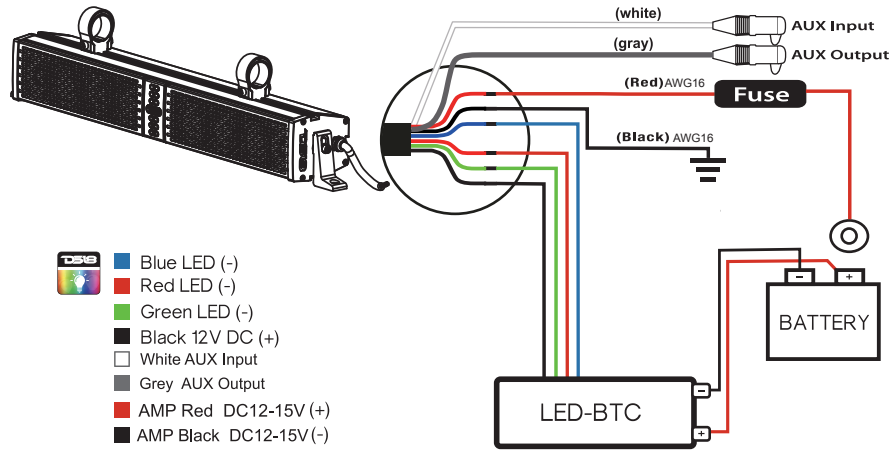
NOTE: The stainless steel hardware supplied with your soundbar has been chosen to resist rust and corrosion. If the particular hardware supplied will not work for your installation purposes, please be sure to use only appropriate marine grade (stainless steel) mounting hardware.



DS18
SUBWOOFER
RGB

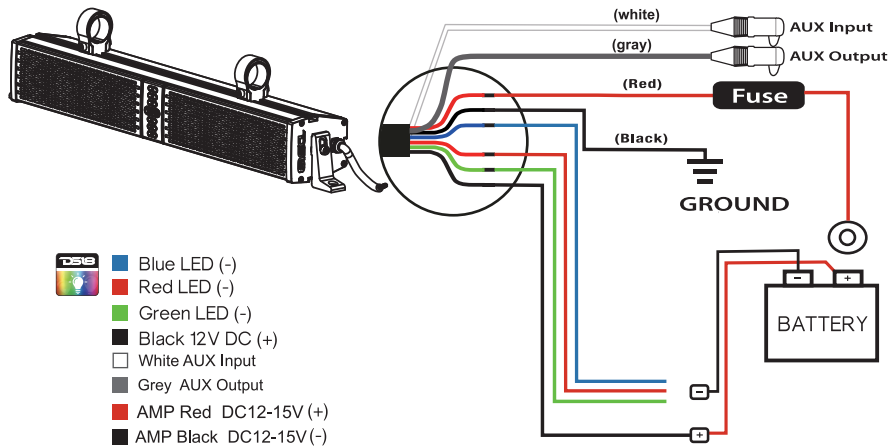


▶ If you have an LED Control Module(LED-BTC), Connect as shown in the Following diagram:



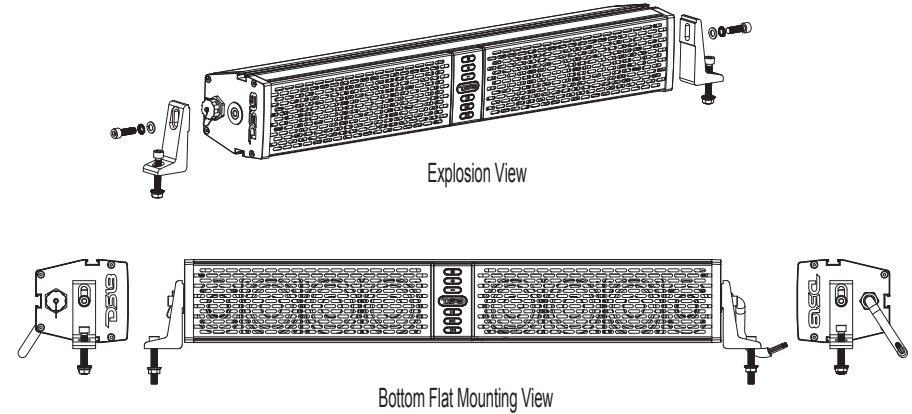
▶ To connect without LED Control Module(LED-BTC), Connect as Shown in the Following Diagram;

- Black wire "BK" Connected to battery Positive(+)12V
- Green Color Light "G" Connected to Battery Negative(-)
- Red Color Light "R" Connected to Battery Negative(-)
- Blue Color Light "B" Connected to Battery Negative(-)
- Purple Color Light "R" and "B" Connected to Battery Negative(-)
- Yellow Color Light "R" and "G" Connected to Battery Negative(-)
- Cyan Color Light "B" and "G" Connected to Battery Negative(-)
- White Color Light "R", "B" and "G" three wires Connected to Battery Negative(-)



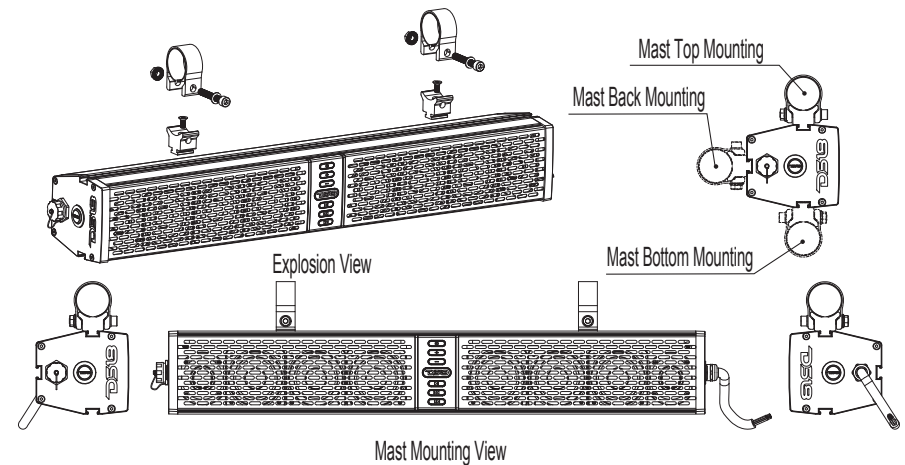
L-brackets Mounting Option

Use the supplied hardware to mount the L bracket to the sound bar at the desired mounting angle. Securely tighten all hardware. The diameter of the hole in the L- bracket is 3/8 inches.



Clamp bracket Mounting Option

There is a set screw in the middle of the Clamp that will lock it into the sound bar once the clamps are in place so they will lock in place. There is one of screws for the clamps can fixed 2" or 1.75" tube size.





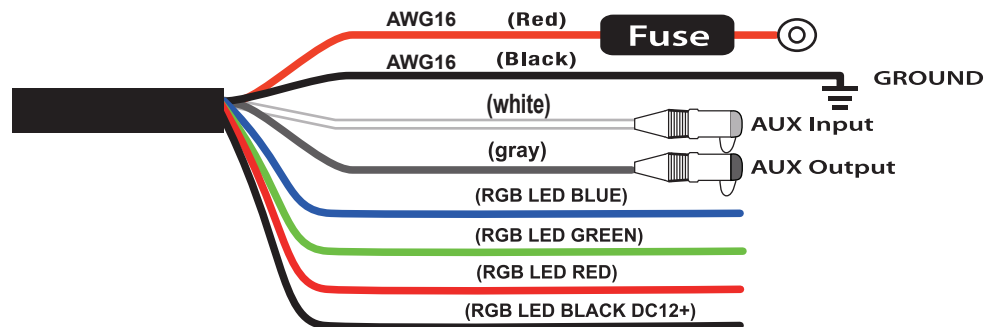
POWER WIRING AND SIGNAL CONNECTIONS

Red Fuse Wire is the main power lead to be either hooked up to 12-15 volts battery power or 12-15 volt switched power, it is recommended to hook this power wire directly to the battery for better current and voltage flow.

BLACK Ground Wire is the ground lead to the soundbar and needs to be a solid ground connection. sand or scrape the paint away from a solid chassis location and use a screw or bolt with a star washer for best result,you can also connect the ground wire directly to the battery.

AUX 3.5mm INPUT is the audio input from a source unit that produces 250mv to 1 volts, we use a 3.5mm connector for cell phone or MP3 player, if you need RCA input, there are 3.5mm adaptors available from your authorized dealer.

AUX 3.5mm OUTPUT is up to a 1volt output to drive an external AMP (subwoofer or full-range) or a second soundbar, this output is a full-range variable output that is controlled by the soundbar pre-amp.

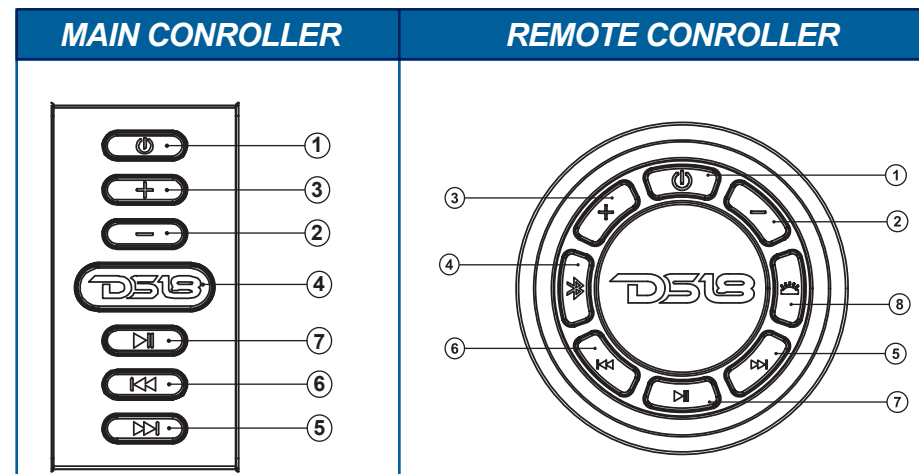


AUX INPUT

Connect the external audio input wire to your soundbar,turn the soundbar on by the power button ,press once,an audible beep will confirm that the soundbar is powered on, All keys backlight will be turned on, when the mid of “DS18”button backlight is white , the aux input working,now you can use the main controller on the soundbar to adjust volume up, down. Track back and forward as well as pause will not work in aux mode; these fueatures work only in bluetooth mode, in Aux mode these features can only be operated by you connected device.(Radio,Phone or MP3 Player)

BLUETOOTH INPUT

Connect the external audio by your phone,turn the soundbar on by the power button ,press once,an audible beep will confirm that the soundbar is powered on, All keys backlight will be turned on, press once the mid of “DS18”button,when the backlight is blue light ,the bluetooth mode working, please turn on your phone’s bluetooth to find the name is “DS18-SBAR30 BT” or “DS18-SBAR35 BT” whent the phone display the “DS18-SBAR30 BT” or “DS18-SBAR35 BT” connected,an audible beep will confirm the soundbar had connected . then can play your music by phone .



CONTROLLER OPERATION

1)POWER BUTTON

Press once the power button ,Power on/off, when power on ,all button backlight will be turned on and display white.

2)VOLUME UP BUTTON

Press once the volume up button momentarily to raise the volume,Along with audible beep,Press the volume up button repeatedly until the desired volume level is achieved, the Amp will be limit the volume up.

3)VOLUME DOWN BUTTON

Press once the volume down button momentarily to lower the volume,Along with audible beep,Press the volume down button repeatedly until the desired volume level is achieved.

4)BLUETOOTH / AUX BUTTON

Press once the “DS18”or bluetooth button momentarily to switchover between bluetooth and auxiliary input, Along with audible beep,press the “DS18”or bluetooth button to pair a bluetooth device if no device is currently paired, when bluetooth working condition, the button light will be change to blue.

5)TRACK FORWARD BUTTON

Press once track forward button momentarily to skip to the next song(Bluetooth mode only).

6)TRACK BACK BUTTON

Press once track back button momentarily to skip back to the previous song(Bluetooth mode only).

7)PAUSE MUTE BUTTON

Press once pause button will mute music or pause music, again will be keep playing.

8)RGB LED LIGHT BUTTON

Press once light button controller the soundbar RGB LED light on/off, this light only remote controller can turn on/off, normally, the lights are on.