

DS18[®]

PRO

PRO-X8.4BM

8" MIDRANGE LOUDSPEAKER
WITH BULLET



550W MAX

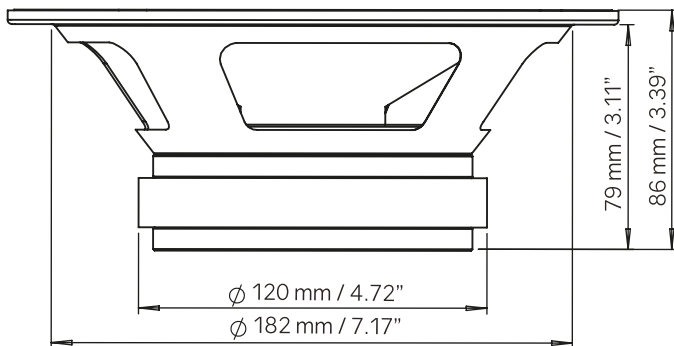
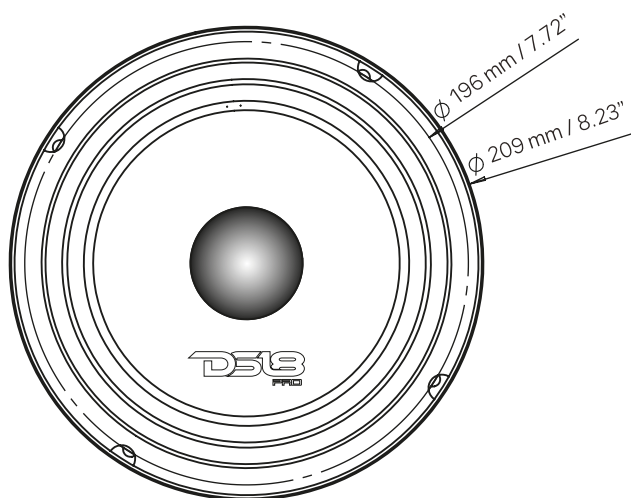
275W RMS

4 OHMS

OWNER'S MANUAL



PRO-X8.4BM





Data Sheet

Specifications:

Nominal Diameter	8" (203.2 mm)
Nominal Impedance	4 ohms
MAX Power Handling	500 WATTS
RMS Power Handling	275 WATTS
Sensitivity (1w/1m)	96dB
Frequency Response	125Hz - 16KHz
Recommended Hi Pass Crossover	120 Hz

Midrange:

Voice Coil Diameter	1.5" (38.1 mm)
Voice Coil Former Material	Kapton
Winding Material	CCAW
Basket Material	Steel
Magnet Weight	30 oz

Thiele & Small Parameters:

Equivalent Volume	Vas	26.60 LTR
Excursion	Xmax	9.3 mm
Free Air Resonance	Fs	93 Hz
Mechanical Factor	Qms	9.275
Electrical Factor	Qes	0.589
Total Factor	Qts	0.552
Dc Resistance	Re	3.2 ohms

Measurements:

Overall Diameter	209 mm (8.22")
Front Mount Baffle Cutout	182 mm (7.17")
Mounting Depth	79 mm (3.11")
Overall Depth	86 mm (3.39")

PRO - X8.4-13M 8" MIDRANGE LOUDSPEAKER WITH BULLET

WeLikeItLoud





PRO - X3.4BM

8" MIDRANGE LOUDSPEAKER WITH BULLET

MAX Power Handling: 550 Watts

RMS Power Handling: 275 Watts

Frequency Response: 125Hz-16KHz

Voice Coil Material: Kapton

Voice Coil Diameter: 1.5" (38.1 mm)

Nominal Impedance: 4 ohms

Mounting Depth: 3.11"(79 mm)

Sensitivity (1W/1M): 96dB

Magnet Material: Ferrite

Magnet Weight: 30 oz

