

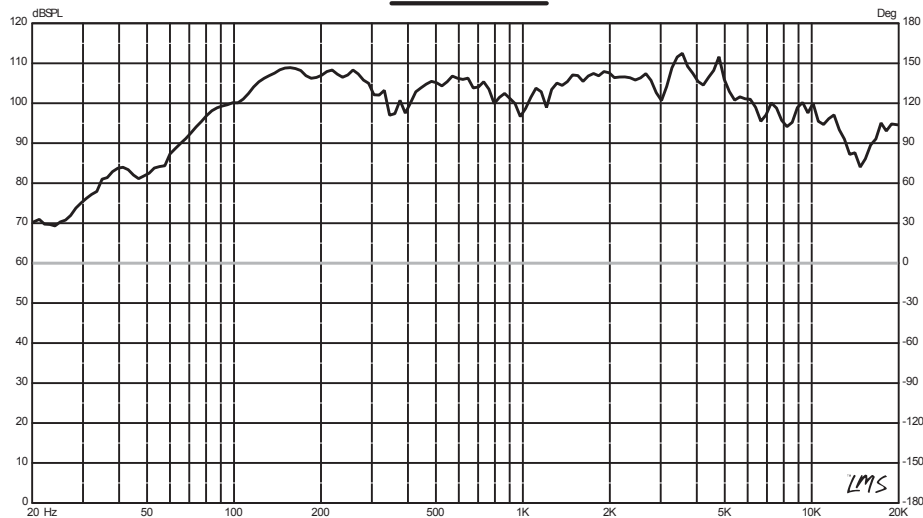


# PRO-X6BM

## 6.5" MIDRANGE LOUDSPEAKER WITH BULLET

- RMS Power Handling: 250 Watts
- MAX Power Handling: 500 Watts
- Frequency Response: 118Hz-17KHz
- Voice Coil Diameter: 1.5" (38.1 mm)
- Voice Coil Material: Kapton
- Nominal Impedance: 8 ohm
- Sensitivity (1W/1M): 90dB
- Magnet Weight: 30 oz
- Magnet Material: Ferrite
- Mounting Depth: 62 mm / 2.44"

SPL vs Freq



# PRO-X6BM

## 6.5"

MIDRANGE LOUDSPEAKER WITH BULLET

500W MAX

250W RMS

8 OHMS



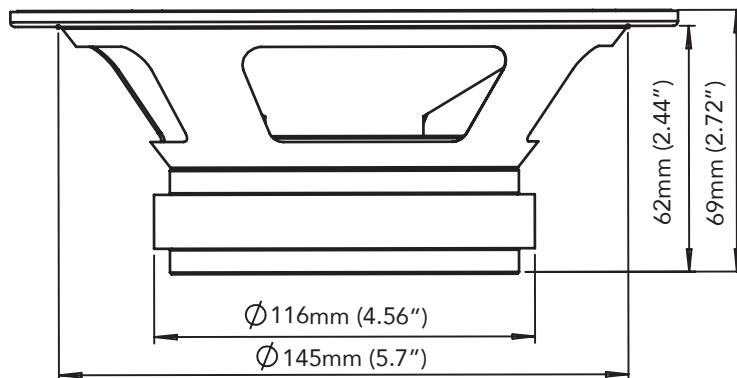
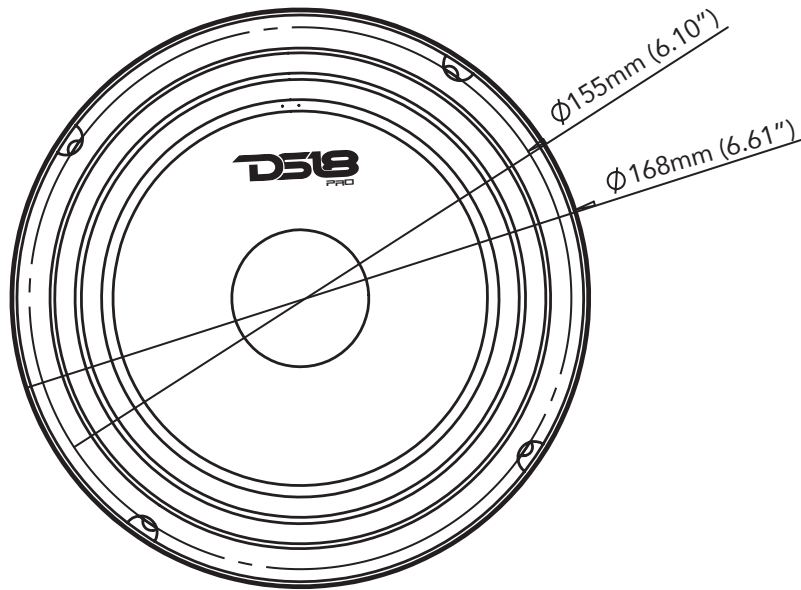
OWNER'S MANUAL



## Data Sheet

# PRO-X6BM

## 6.5" MIDRANGE LOUDSPEAKER WITH BULLET



[www.DS18.com](http://www.DS18.com)

PRO-X6BM 6.5" MIDRANGE LOUD SPEAKER WITH BULLET

### Specifications:

Nominal Diameter .....	6.5" (165.1 mm)
Nominal Impedance .....	8 ohms
RMS Power Handling .....	250 WATTS
Maximum Power Handling .....	500 WATTS
Sensitivity (1w/1m) .....	90dB
Frequency Response .....	118Hz-17KHz
Recommended Hi Pass Crossover .....	120 Hz

### Midrange:

Voice Coil Diameter .....	1.5" (38.1 mm)
Voice Coil Former Material .....	Kapton
Winding Material .....	CCAW
Basket Material .....	Steel
Magnet Weight .....	30 oz

### Thiele & Small Parameters:

Equivalent Volume	Vas	2.620 LTR
Excursion	Xmax	8.2 mm
Free Air Resonance	Fs	118 Hz
Mechanical Factor	Qms	10.782
Electrical Factor	Qes	0.641
Total Factor	Qts	0.605
Dc Resistance	Re	5.2 ohms

### Measurements:

Overall Diameter	168 mm (6.61")
Front Mount Baffle Cutout	145 mm (5.70")
Mounting Depth	62 mm (2.44")
Overall Depth	69 mm (2.72")

# # WeLikeItLoud

