



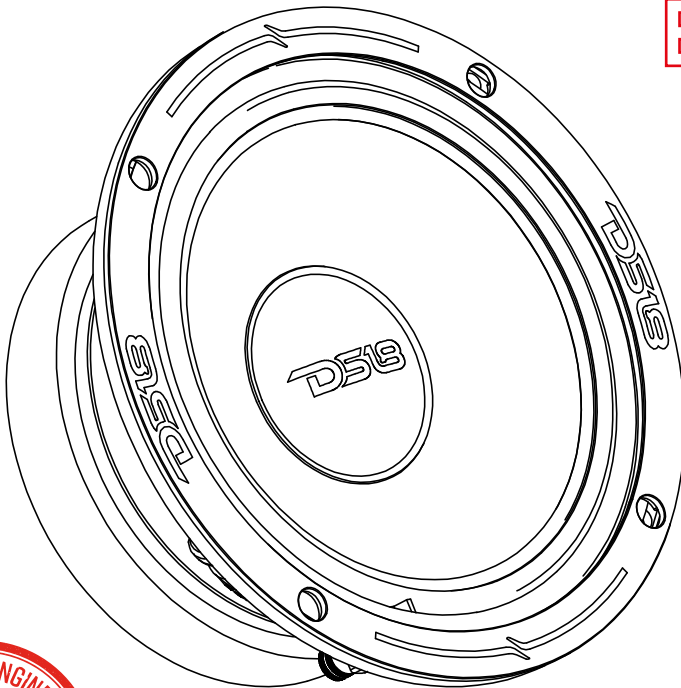
DS18[®]

OWNER'S MANUAL
MANUAL DE USUARIO

PRO-ZXi8M

8" MID-RANGE LOUDSPEAKER
WITH ALUMINUM BASKET

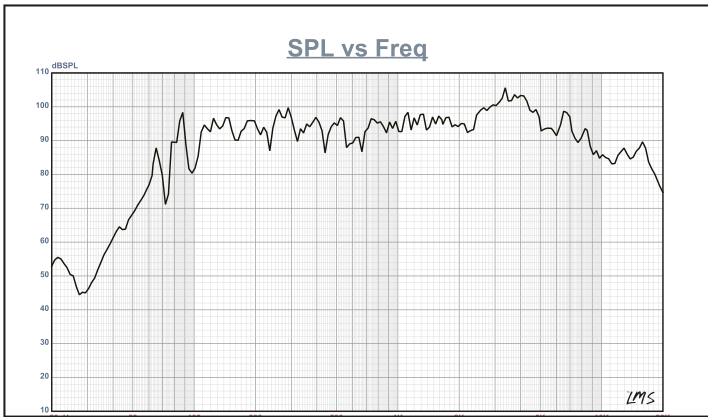
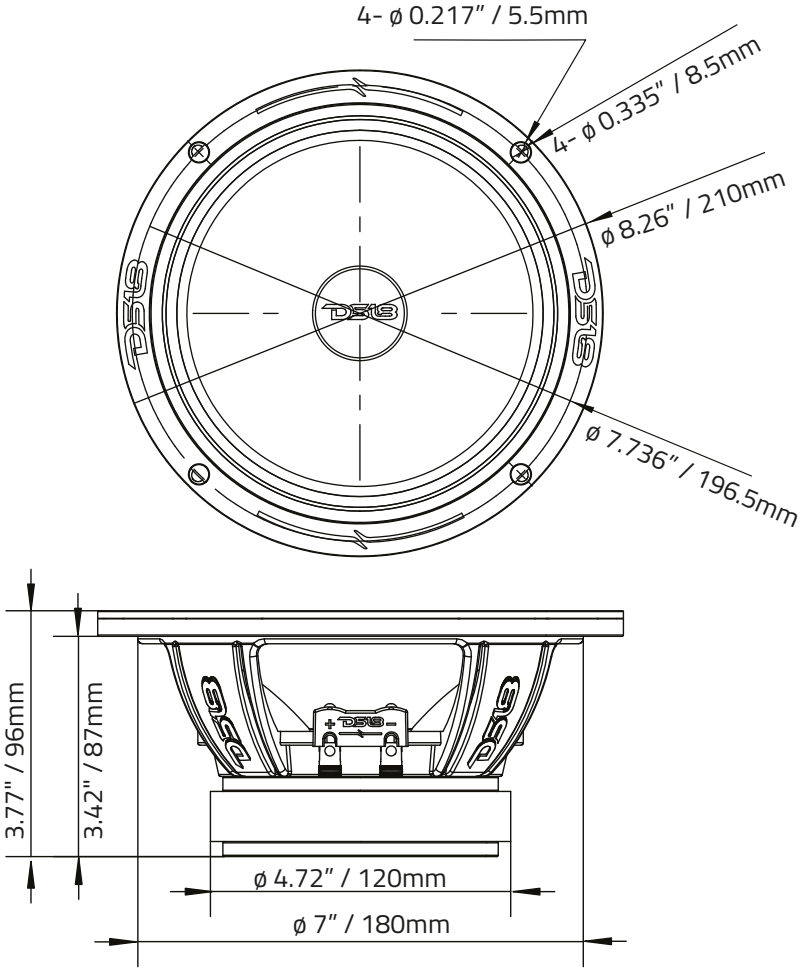
ALTAVOZ DE RANGO MEDIO DE 8"
CON CANASTA DE ALUMINIO



ENGLISH | ESPAÑOL



PRO-ZXi8M



SPECIFICATIONS / ESPECIFICACIONES:

| | |
|--|-----------------|
| Nominal Diameter / Diámetro Nominal..... | 8" / 203.2mm |
| Nominal Impedance / Impedancia Nominal | 8 OHMS |
| RMS Power Handling / Manejo de Potencia RMS..... | 350 Watts |
| MAX Power Handling / Manejo de Potencia MAX..... | 700 Watts |
| Sensitivity / Sensibilidad (1w/1m)..... | 99dB |
| Frequency Response / Respuesta de Frecuencia..... | 80Hz - 8Khz |
| Recommended Hi Pass Crossover / Crossover de Paso Alto Recomendado | 125Hz |
| Pair or single / Par o Unidad..... | Single / Unidad |

MOTOR / MOTOR:

| | |
|--|--|
| Voice Coil Diameter / Diámetro de la Bobina de Voz | 1.5" / 38.6mm |
| Voice Coil Former Material / Material Interior de Bobina de Voz..... | Glass Fiber |
| Winding Material / Material de Bobinado | CCAW |
| Cone Material / Material del Cono | Paper / Papel |
| Dust Cap Material / Material de la Tapa Antipolvo..... | Paper / Papel |
| Surround Material / Material de la Suspensión..... | Cloth / Tela |
| Basket Material / Material de la Canasta..... | Aluminum / Aluminio |
| Basket Color / Color de la Canasta..... | Sandblasted Black/ Negro Arenado |
| Magnet Material / Material del Imán | Ferrite + Neodymium / Ferrita + Neodimio |
| Magnet Weight / Peso del Imán | 30 + 3 Oz |
| Displacement Volume / Volumen de Desplazamiento | 0.63L / 0.022ft3 |

THIELE & SMALL PARAMETERS / PARÁMETROS T/S:

| | | |
|--|-----------|-------------------|
| Equivalent Volume / Volumen Equivalente..... | Vas | 27.67L / 0.977ft3 |
| Excursion (one way) / Excursión (1 vía)..... | Xmas..... | 7.6mm |
| Free Air Resonance / Resonancia al Aire Libre | Fs | 128Hz |
| Mechanical Factor / Factor Mecánico..... | Qms | 9.319 |
| Electrical Factor / Factor Eléctrico..... | Qes | 0.856 |
| Total Factor / Factor Total | Qts..... | 0.784 |
| Mechanical Mass / Masa en Movimiento | Mms..... | 3.95g |
| Mechanical Compliance / Cumplimiento Mecánico | Cms..... | 0.392mm/N |
| BL Factor / Factor BL..... | BL | 4.136 |
| Voice Coil Inductance / Inductancia de Bobina de Voz | Le..... | 0.7203mH |
| Cone Area / Área del Cono..... | Sd | 224.32cm2 |
| DC Resistance / Resistencia DC | Re | 4.6 ohm |

MEASUREMENTS / MEDIDAS:

| | |
|--|---------------|
| Overall Diameter / Diámetro Total..... | 8.26" / 210mm |
| Overall Depth / Profundidad Total | 3.77" / 96mm |
| Front Mount Baffle Cutout / Corte del Orificio de Montaje..... | 7" / 180mm |
| Mounting Depth / Profundidad de Montaje..... | 3.42" / 87mm |
| Motor Diameter / Diámetro del Motor | 4.72" / 120mm |



FOR MORE INFORMATION
PLEASE VISIT
DS18.COM

WE LIKE IT LOUD

The DS18 logo, featuring the letters "DS18" in a bold, stylized, red font. The "D" and "S" are connected, and the "18" is separate. A registered trademark symbol (®) is located to the upper right of the "8".

DS18[®]