

# DS18<sup>®</sup>

PRO

## PRO-X8MSE

8" SEALED BACK  
MIDRANGE LOUDSPEAKER



550W MAX

275W RMS

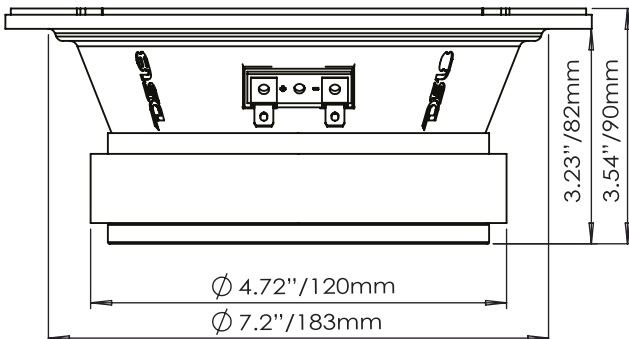
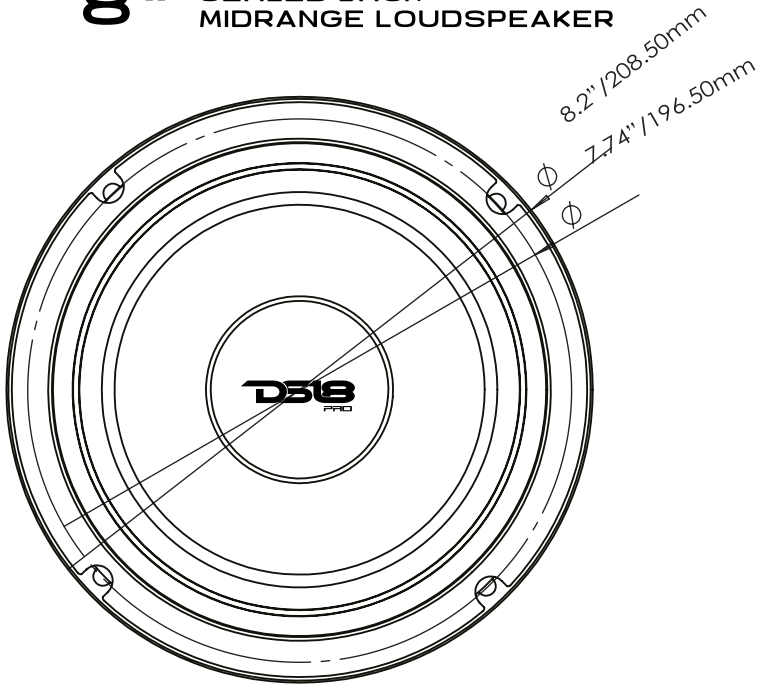
8 OHMS

OWNER'S MANUAL



# PRO-X8MSE

8" SEALED BACK  
MIDRANGE LOUDSPEAKER



# Data Sheet

**PRO-X3MSF 8" SEALED BACK MIDRANGE LOUDSPEAKER**

### Specifications:

Nominal Diameter .....	8"
Nominal Impedance .....	8 OHMS
MAX Power Handling .....	550W
RMS Power Handling .....	275W
Sensitivity (1w/1m) .....	97 dB
Frequency Response .....	250Hz-8KHz
Recommended HI Pass Crossover .....	500 Hz

### Motor

Voice Coil Diameter.....	1.5"/38.6 mm
Voice Coil Former Material .....	KAPTON
Winding Material .....	CCA
Cone Material .....	Non-Pressed Paper
Dust Cap Material.....	Paper
Surround Material .....	Cloth
Basket Material .....	Steel
Magnet Material.....	Ferrite
Magnet Weight .....	33 oz

### Thiele & Small Parameters

Equilivant Volume .....	Vas .....	0.727L
Excursion.....	Xmax .....	6mm
Free Air Resonance .....	Fs .....	450Hz
Mechanical Factor .....	Qms .....	2.498
Electrical Factor.....	Qes.....	2.292
Total Factor.....	Qts.....	1.195
Moving Mass .....	Mms .....	11.321g
Compliance .....	Cms.....	0.011mm/N
Force Factor .....	BL .....	8.73
Voice Coil Inductance .....	Le .....	0.798mH
Diaphragm Area .....	Sd.....	216.42cm <sup>2</sup>
Dc Resistance .....	Re.....	5.46 ohms

### Measurements

Overall Diameter .....	8.2"/208.5 mm
Overall Depth .....	3.54"/90 mm
Front Mount Baffle Cutout .....	7.2"/183 mm
Mounting Depth .....	3.23"/82 mm
Motor Diameter.....	4.72"/120mm



**PRO-X3MSIE**  
SEALED BACK MIDRANGE LOUDSPEAKER

**8"**

- MAX Power Handling: 550 Watts
- RMS Power Handling: 275 Watts
- Frequency Response: 250Hz-8KHz
- Voice Coil Diameter: 1.5" / 38.6 mm
- Voice Coil Material: Kapton
- Nominal Impedance: 8 ohm
- Sensitivity (1W/1M): 97dB
- Magnet Weight: 33 oz
- Magnet Material: Ferrite
- Mounting Depth: 3.23" / 82 mm

