



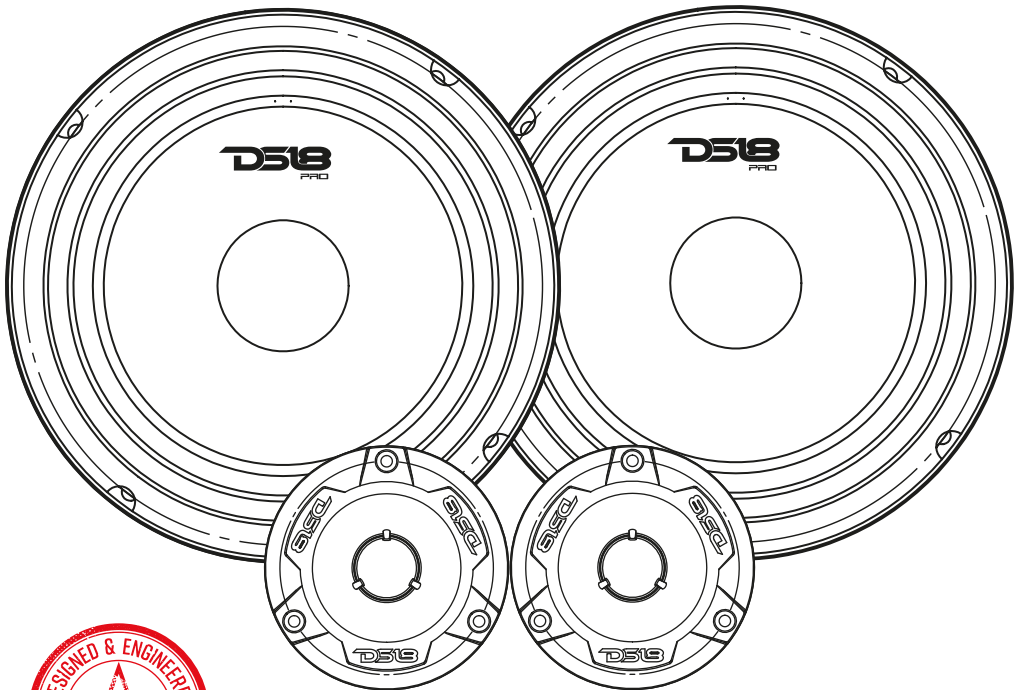
D518[®]

OWNER'S MANUAL PRO-X8.4BMPK2

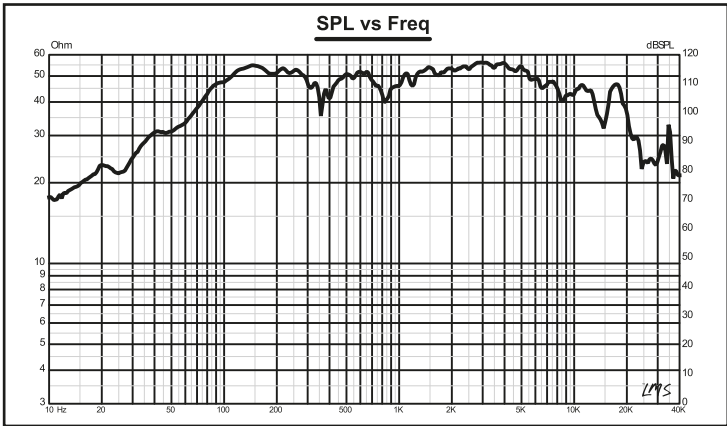
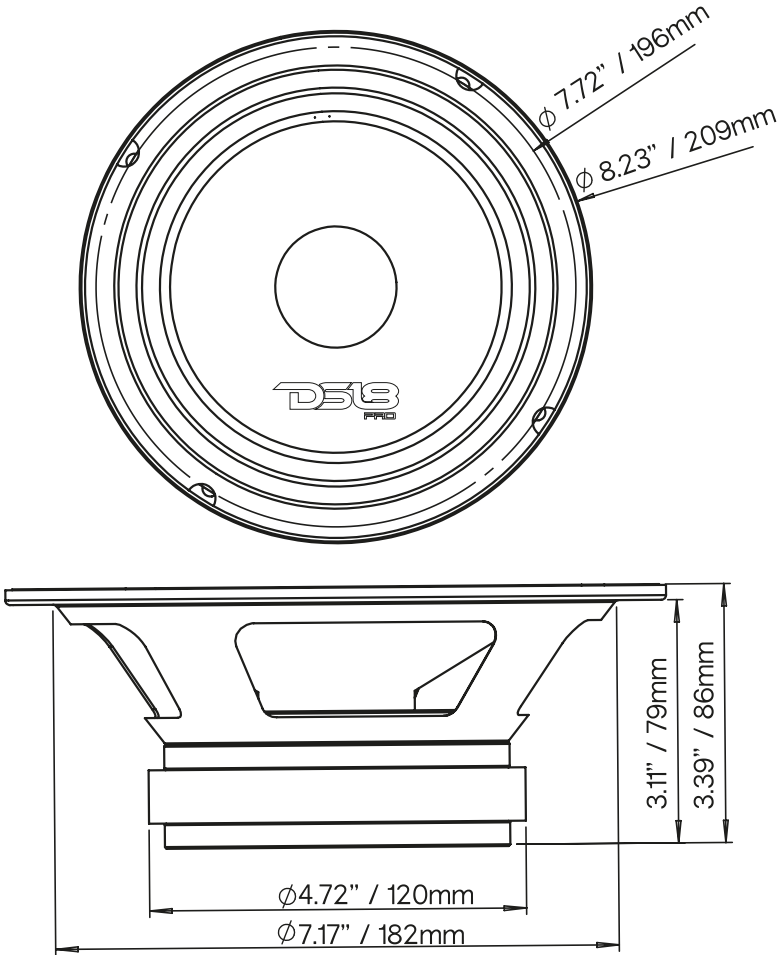
MID AND HIGH COMPLETE PACKAGE

PAIR **PRO-X8.4BM**

PAIR **PRO-TWX1/BK**



PRO-X8.4BM





Specifications:

Nominal Diameter	8" / 203.2 mm
Nominal Impedance	4 ohms
RMS Power Handling	275 WATTS
Maximum Power Handling	550 WATTS
Sensitivity (1w/1m)	96dB
Frequency Response	93Hz-16KHz
Recommended Hi Pass Crossover	100 Hz

Midrange:

Voice Coil Diameter	1.5" / 38.6 mm
Voice Coil Former Material	Kapton
Winding Material	CCAW
Basket Material	Steel
Magnet Weight	30 oz
Magnet Material:	FERRITE

Thiele & Small Parameters:

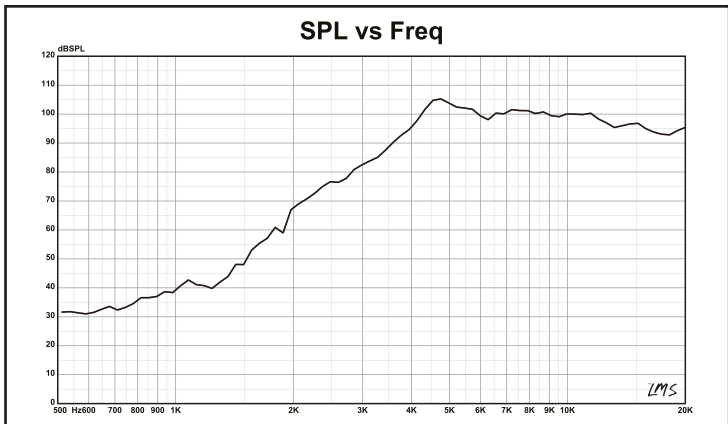
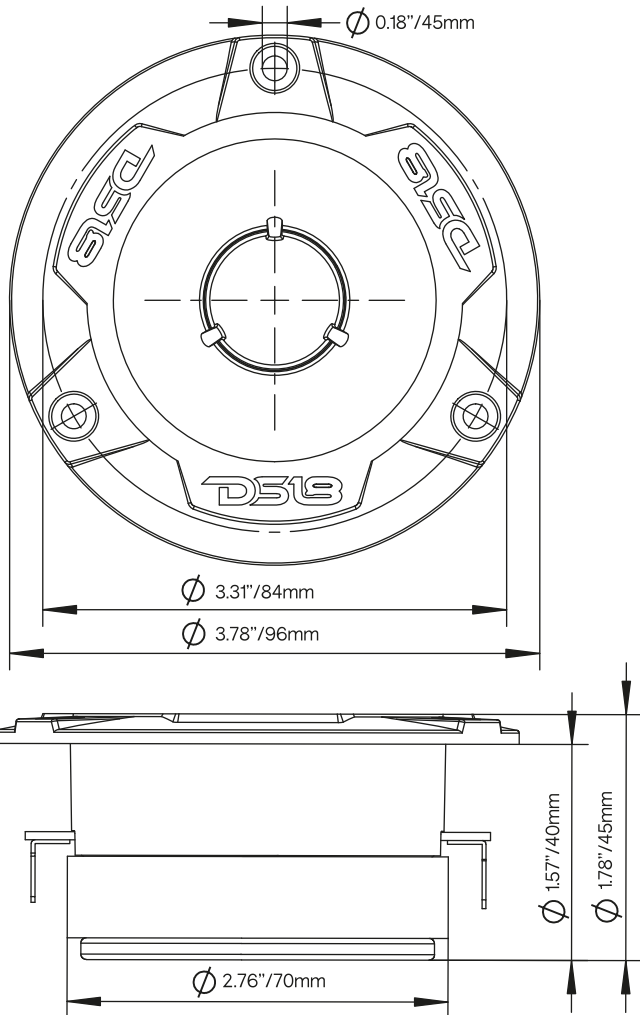
Equivalent Volume	Vas	26.60 LTR
Excursion	Xmax	9.3 mm
Free Air Resonance	Fs	93 Hz
Mechanical Factor	Qms	9.275
Electrical Factor	Qes	0.589
Total Factor	Qts	0.552
Dc Resistnace	Re	3.2 ohms

Measurements:

Overall Diameter	8.23" / 209mm
Front Mount Baffle Cutout	7.17" / 182 mm
Mounting Depth	3.11" / 79mm
Overall Depth	3.38" / 86mm

PRO-X3.4BM

PRO-TWX1/BK





SPECIFICATIONS:

Nominal Diameter	1”
Nominal Impedance	4 ohms
AES Power Handling	60 Watts
Program Power Handling	120 Watts
Peak Power Handling	240 Watts
Sensitivity (1W/1W)	103 dB
Frequency Response	3.5K-20Khz
Recommended HI Pass Crossover.....	2 KHz

MOTOR:

Voice Coil Diameter	1”
Voice Coil Former Material	Kapton
Winding Material.....	KCCAW
Diaphragm Material	Aluminum
Magnet Material.....	Ferrite
Body Material	Aluminum

MEASUREMENTS

Overall Diameter	3.78” / 96mm
Overall Depth	1.78” / 45mm
Front Mount Baffle Cutout	2.76” / 70mm
Mounting Depth	1.57” / 40mm

PRO-TWX1/BK



FOR MORE INFORMATION
PLEASE VISIT
DS18.COM

WE LIKE IT LOUD



DS18[®]

The DS18 logo is positioned at the bottom right of the page. It features a stylized, bold font where the 'D' and 'S' are connected. A thick red horizontal line with a sharp, upward-pointing chevron-like cutout on the left side runs across the bottom of the page, partially overlapping the logo.