

# DS18<sup>®</sup>

PRO

## PRO-X6MSE

### 6.5"

SEALED BACK  
MIDRANGE LOUDSPEAKER



450W MAX

225W RMS

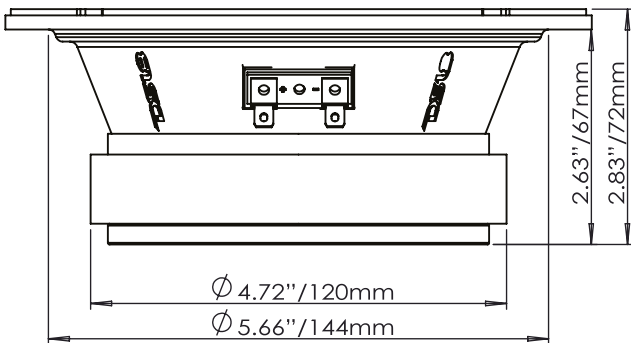
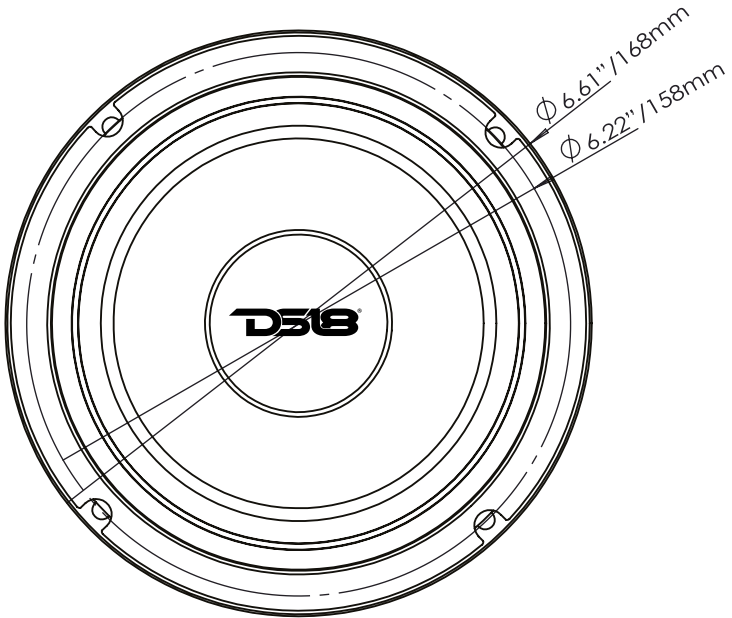
8 OHMS

OWNER'S MANUAL



# PRO-X6MSE

6.5" SEALED BACK  
MIDRANGE LOUDSPEAKER



# Data Sheet

PRO-X6MSE 6.5" SEALED BACK MIDRANGE LOUDSPEAKER

### Specifications:

Nominal Diameter .....	6.5"
Nominal Impedance .....	8 ohm
MAX Power Handling .....	450W
RMS Power Handling .....	225W
Sensitivity (1w/1m) .....	95 dB
Frequency Response .....	315Hz-8KHz
Recommended Hi Pass Crossover .....	550 Hz

### Motor

Voice Coil Diameter.....	1.5"/38.6 mm
Voice Coil Former Material .....	KAPTON
Winding Material .....	CCA
Cone Material .....	Non-Pressed Paper
Dust Cap Material.....	Paper
Surround Material .....	Cloth
Basket Material .....	Steel
Magnet Material.....	Ferrite
Magnet Weight .....	33 oz

### Thiele & Small Parameters

Equilivant Volume .....	Vas .....	1.82 L
Excursion.....	Xmax .....	9 mm
Free Air Resonance .....	Fs .....	511 Hz
Mechanical Factor.....	Qms .....	10.782
Electrical Factor.....	Qes.....	3.249
Total Factor.....	Qts.....	2.427
Dc Resistance .....	Re.....	5.1 ohms

### Measurements

Overall Diameter .....	6.6"/168 mm
Front Mount Baffle Cutout .....	5.7"/144 mm
Mounting Depth .....	2.63"/67 mm
Overall Depth .....	2.83" /72mm
Motor Diameter.....	4.27"/120mm

# #WeLikeItLoud





**PRO-X6MSE**  
SEALED BACK MIDRANGE LOUDSPEAKER

**6.5"**

- MAX Power Handling: 450 Watts
- RMS Power Handling: 225 Watts
- Frequency Response: 315Hz-8KHz
- Voice Coil Diameter: 1.5" / 38.6 mm
- Voice Coil Material: Kapton
- Nominal Impedance: 8 ohm
- Sensitivity (1W/1M): 95dB
- Magnet Weight: 33 oz
- Magnet Material: Ferrite
- Mounting Depth: 2.63" / 67 mm

