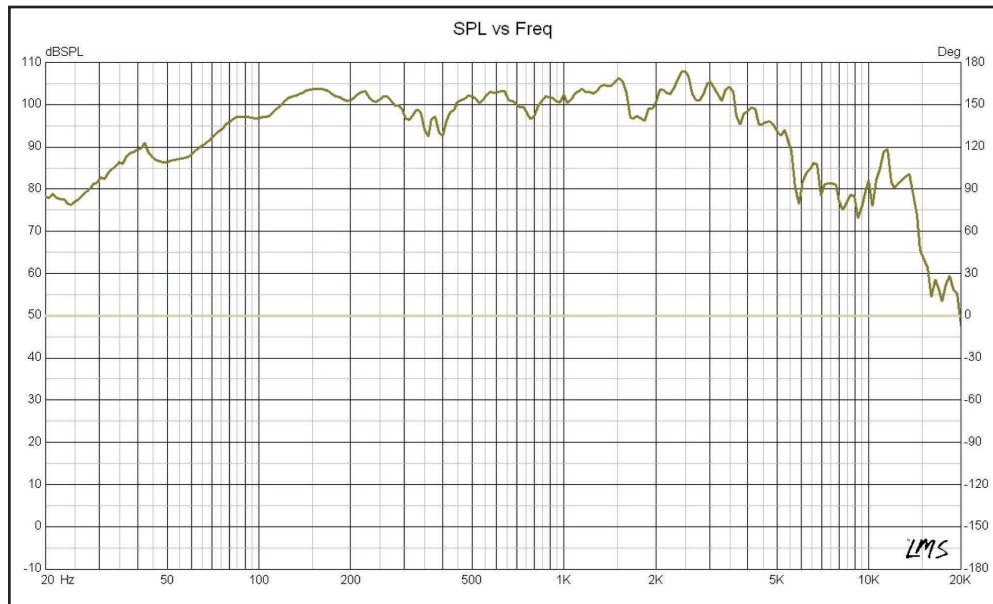




12" MIDRANGE LOUDSPEAKER

- PRO-X12M** RMS Power Handling: 450 Watts
- PRO-X12M** MAX Power Handling: 900 Watts
- PRO-X12M** Frequency Response: 63.5Hz-11.3KHz
- PRO-X12M** Nominal Impedance: 8 ohms
- PRO-X12M** Mounting Depth: 126 mm (4.96")
- PRO-X12M** Sensitivity (1W/1M): 97.5dB
- PRO-X12M** Magnet Material: Ferrite
- PRO-X12M** Magnet Weight: 60oz
- PRO-X12M** Voice Coil Material: Kapton
- PRO-X12M** Voice Coil Diameter: 2.5" (65.5 mm)



12" MIDRANGE LOUDSPEAKER

PRO-X12M



900W MAX

450W RMS

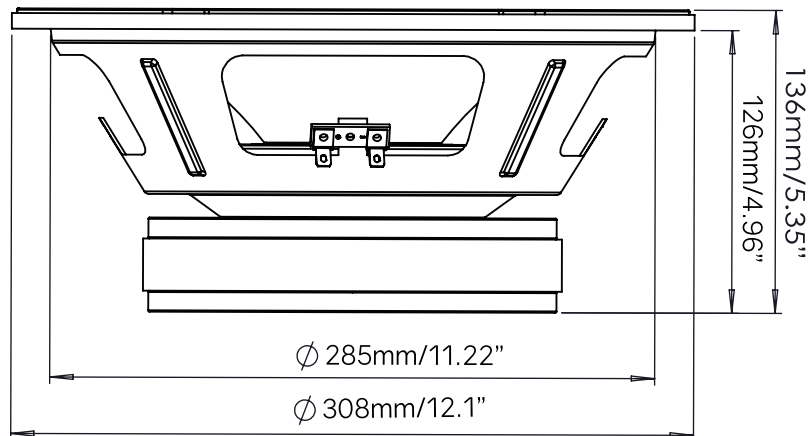
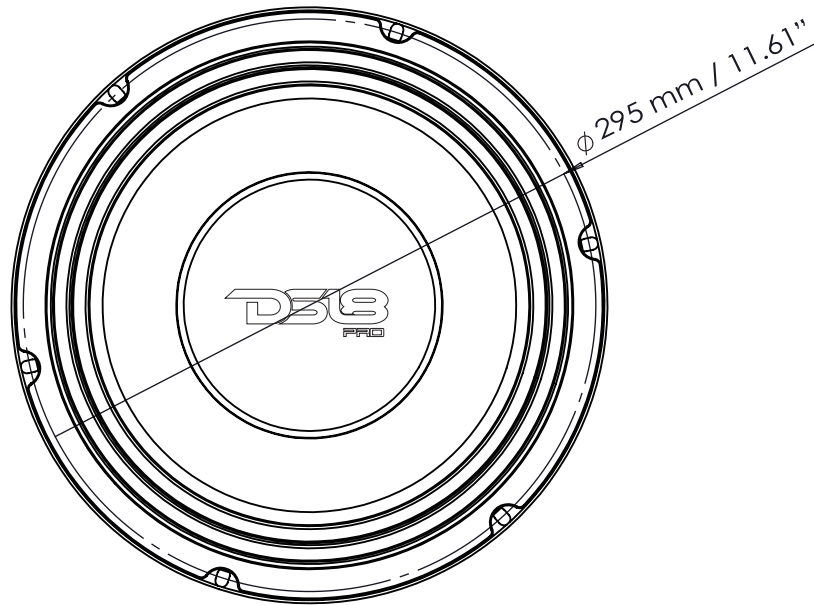
8 OHMS

OWNER'S MANUAL



PRO-X12M

12" MIDRANGE
LOUDSPEAKER



Data Sheet

Specifications:

Nominal Diameter	12" (308 mm)
Nominal Impedance	8 ohms
RMS Power Handling	450 Watts
MAX Power Handling	900 Watts
Sensitivity (1w/1m)	97.5dB
Frequency Response	63.5Hz - 11.3KHz
Recommended Hi Pass Crossover	100 Hz

Midrange:

Voice Coil Diameter	2.5" (65.5 mm)
Voice Coil Former Material	Kapton
Winding Material	CCAW
Basket Material	Steel
Magnet Weight	60 oz

Thiele & Small Parameters:

Equivalent Volume	Vas	23.78 LTR
Excursion	Xmax	10.5 mm
Free Air Resonance	Fs	64.6 Hz
Mechanical Factor	Qms	2.2
Electrical Factor	Qes	0.485
Total Factor	Qts	0.392
Dc Resistance	Re	5.2 ohms

Measurements:

Overall Diameter	308 mm (12.12")
Front Mount Baffle Cutout	285 mm (11.22")
Mounting Depth	126 mm (4.96")
Overall Depth	136 mm (5.35")

PRO-X12M 12" MIDRANGE LOUDSPEAKER

WeLikeItLoud

