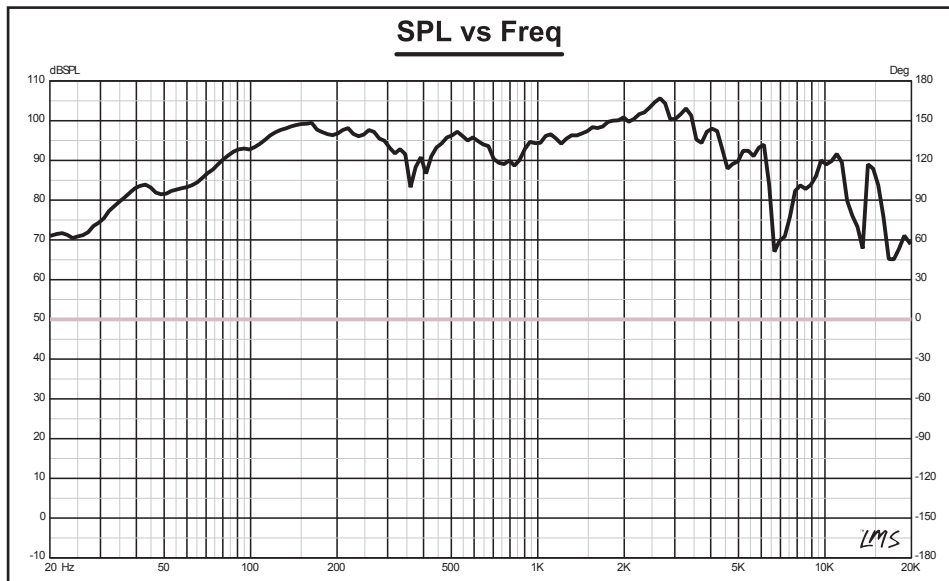




PRO-X1013M

10" MIDRANGE
LOUDSPEAKER WITH BULLET

- RMS Power Handling: 300 Watts
- MAX Power Handling: 600 Watts
- Frequency Response: 100Hz-5KHz
- Voice Coil Material: Kapton
- Voice Coil Diameter: 2" (50.8 mm)
- Nominal Impedance: 8 ohms
- Mounting Depth: 96 mm (3.78")
- Sensitivity (1W/1M): 97 dB
- Magnet Material: Ferrite
- Magnet Weight: 40oz



PRO-X1013M

10" MIDRANGE LOUDSPEAKER
WITH BULLET



600W MAX

300W RMS

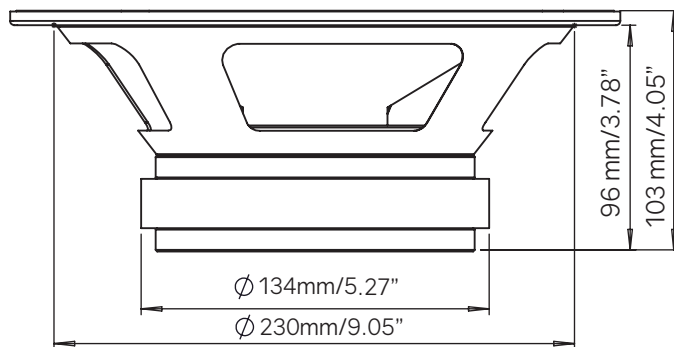
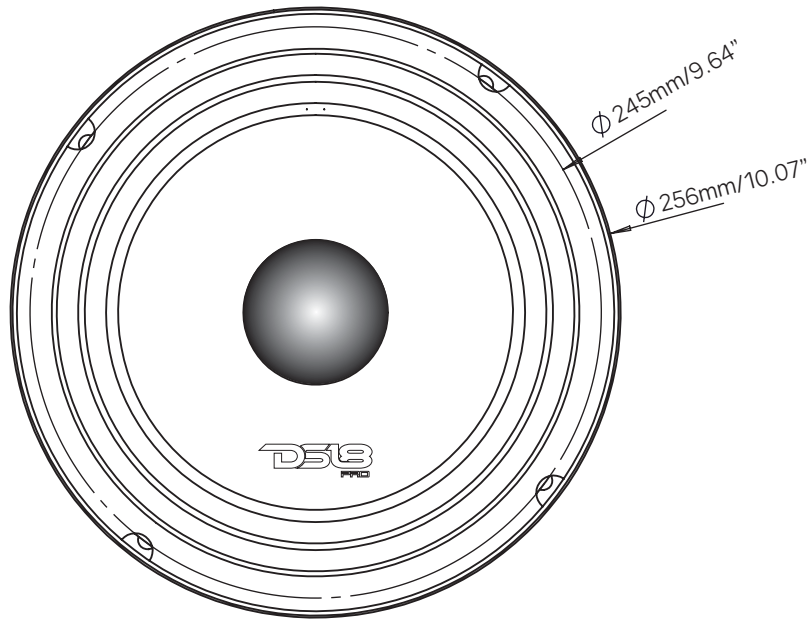
8 OHMS

USER'S MANUAL



PRO-X10BM

10" MIDRANGE
LOUDSPEAKER WITH BULLET



DS18.COM



Data Sheet

Specifications:

Nominal Diameter.....	10" (256mm)
Nominal Impedance.....	8 ohms
RMS Power Handling.....	300 Watts
Maximum Power Handling.....	600 Watts
Sensitivity (1w/1m).....	97 dB
Frequency Response.....	100Hz-5KHz
Recommended Hi Pass Crossover.....	120 Hz

Midrange:

Voice Coil Diameter.....	2" (50.8 mm)
Voice Coil Former Material.....	Kapton
Winding Material.....	CCAW
Basket Material.....	Steel
Magnet Weight.....	40 oz

Thiele & Small Parameters:

Equivalent Volume.....	Vas.....	26.725 LTR
Excursion.....	Xmax.....	9.8 mm
Free Air Resonance.....	Fs.....	77 Hz
Mechanical Factor.....	Qms.....	13.933
Electrical Factor.....	Qes.....	0.85
Total Factor.....	Qts.....	0.801
Dc Resistance.....	Re.....	5.2 ohms

Measurements:

Overall Diameter.....	256 mm (10.07")
Front Mount Baffle Cutout.....	230 mm (9.05")
Mounting Depth.....	96 mm (3.78")
Overall Depth.....	103 mm (4.05")

PRO-X10BM 10" MIDRANGE LOUD SPEAKER WITH BULLET

WeLikeItLoud

