



DS18[®]

PRO

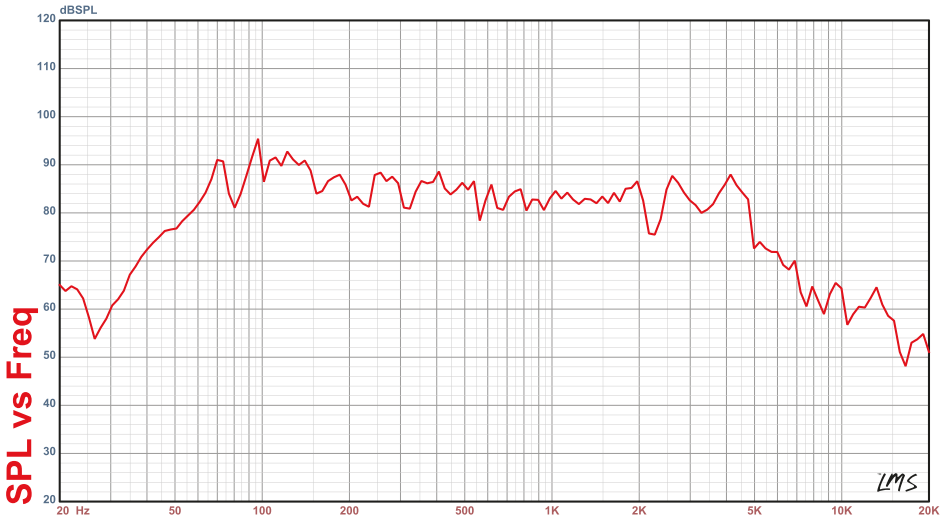
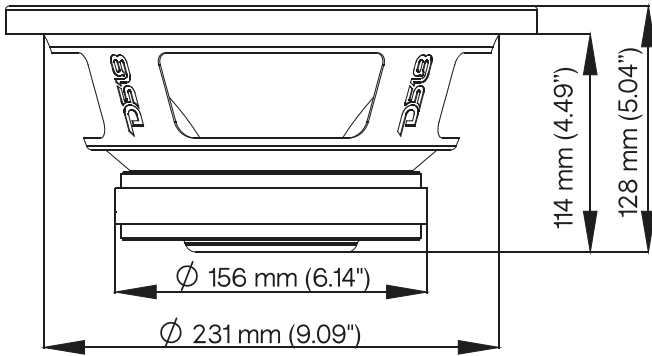
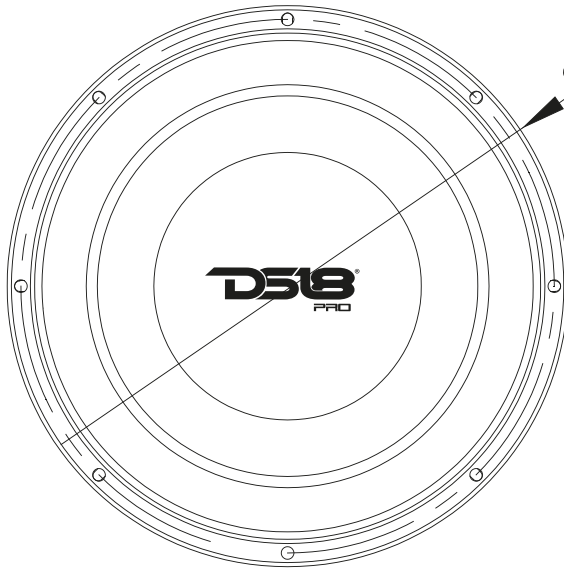
OWNER'S MANUAL
PRO-W10.2S
10" WOOFER
LOUDSPEAKER
WATER RESISTANT CONE



PERFECT FOR
MOTORCYCLES



PRO-W10.2S



LMS



Specifications:

Nominal Diameter	10" (254mm)
Nominal Impedance	2 ohms svc
Maximum Power Handling	700 watts
RMS Power Handling	350 watts
Sensitivity (1w/1m)	89 db
Frequency Response	40Hz - 4.5KHz
Recommended Lo Pass Crossover	180hz

Motor:

Voice Coil Diameter	2.5" (65.5mm)
Voice Coil Former Material	Til
Winding Material	SV
Cone Material	Water resistant paper
Dust Cap Material	Water resistant paper
Surround Material	Rubber
Basket Material	Steel
Magnet Material	Ferrite
Magnet Weight	46 oz
Displacement Volume	2.12L

Thiele & Small Parameters:

Equivalent Volume.....	Vas	18.415 LTR
Excursion (one way).....	Xmax	12.2 mm
Free Air Resonance.....	Fs	38.8 Hz
Mechanical Factor.....	Qms	5.845
Electrical Factor	Qes	0.561
Total Factor.....	Qts	0.492
Moving Mass.....	Mms	67.313g
Compliance.....	Cms	0.221mm/N
BI Factor.....	BI	9.81
Voice Coil Inductance.....	Le	1.155mH
Diaphragm Area.....	Sd	0.035299sq/m
Dc Resistnace.....	Re	2.0 ohms
Efficiency Bandwith Product.....	EBP	69.16

Measurements:

Overall Diameter	264 mm (10.39")
Overall Depth	128 mm (5.04")
Front Mount Baffle Cutout	231 mm (9.09")
Mounting Depth	114 mm (4.49")
Motor Diameter	156 mm (6.14")

PRO-W10.2S



FOR MORE INFORMATION
PLEASE VISIT
DS18.COM

WE LIKE IT LOUD

The DS18 logo, featuring the letters "DS18" in a bold, stylized, italicized font. A registered trademark symbol (®) is located at the top right of the number "8".

DS18[®]