

# DS18<sup>®</sup>

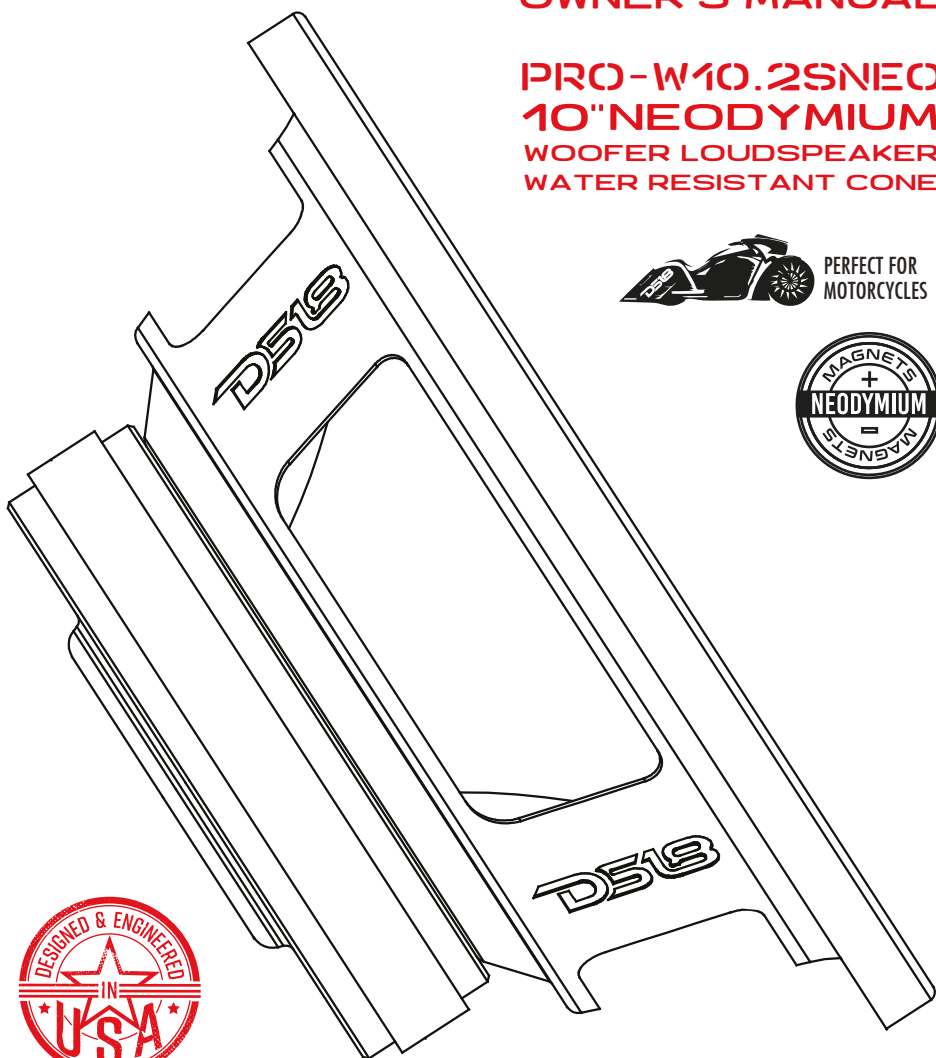
## PRO

OWNER'S MANUAL

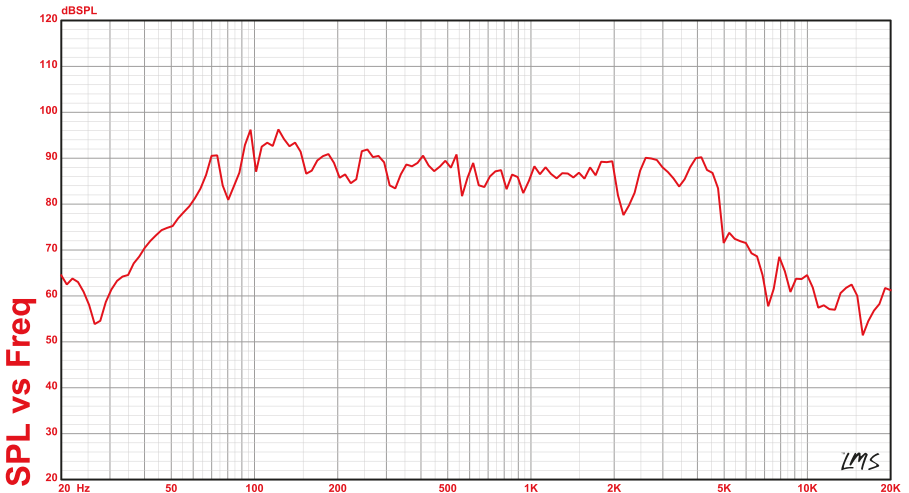
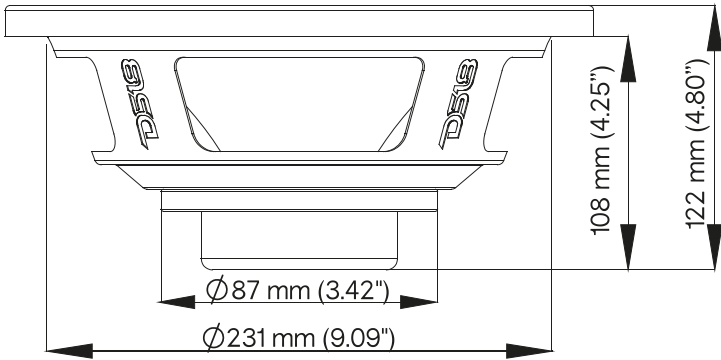
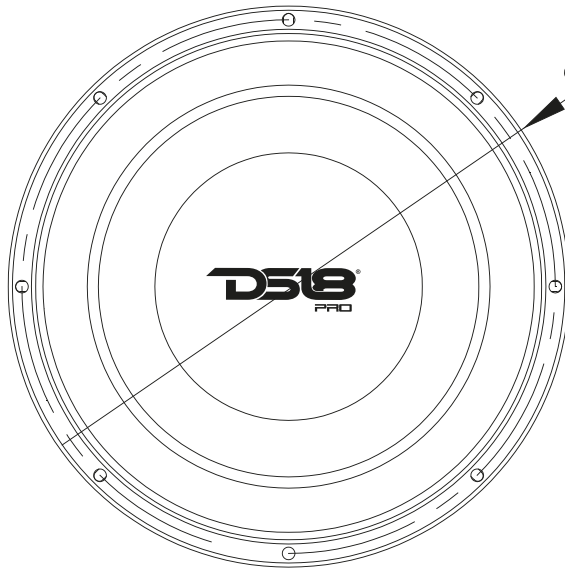
PRO-W10.2SNEO  
10" NEODYMIUM  
WOOFER LOUDSPEAKER  
WATER RESISTANT CONE



PERFECT FOR  
MOTORCYCLES



# PRO-W10.2SNEO





### Specifications:

Nominal Diameter .....	10" (254mm)
Nominal Impedance .....	2 ohms svc
Maximum Power Handling .....	800 watts
RMS Power Handling .....	400 watts
Sensitivity (1w/1m) .....	91 db
Frequency Response .....	40Hz-5KHz
Recommended Lo Pass Crossover .....	180hz

### Motor:

Voice Coil Diameter .....	2.5" (65.5mm)
Voice Coil Former Material .....	Til
Winding Material .....	SV
Cone Material .....	Water resistant paper
Dust Cap Material .....	Water resistant paper
Surround Material .....	Rubber
Basket Material .....	Steel
Magnet Material .....	Neodymium
Magnet Weight .....	8.8 oz
Displacement Volume .....	1.79L

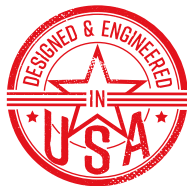
### Thiele & Small Parameters:

Equivalent Volume.....	Vas	22.514 LTR
Excursion (one way).....	Xmax	12.2 mm
Free Air Resonance.....	Fs	41.5 Hz
Mechanical Factor.....	Qms	5.846
Electrical Factor .....	Qes	0.452
Total Factor.....	Qts	0.397
Moving Mass.....	Mms	91.85g
Compliance.....	Cms	0.16mm/N
BI Factor.....	BI	12.95
Voice Coil Inductance.....	Le	0.4578mH
Diaphragm Area.....	Sd	0.035299sq/M
Dc Resistnace.....	Re	2 ohms
Efficiency Bandwith Product.....	EBP	91.8

### Measurements:

Overall Diameter .....	264 mm (10.39")
Overall Depth .....	122 mm (4.80")
Front Mount Baffle Cutout .....	231 mm (9.09")
Mounting Depth .....	108 mm (4.25")
Motor Diameter .....	87 mm (3.42")

PRO-W10.2SNEO



FOR MORE INFORMATION  
PLEASE VISIT  
[DS18.COM](http://DS18.COM)

*WE LIKE IT LOUD*

The DS18 logo, featuring the letters "DS18" in a bold, stylized, italicized font. A registered trademark symbol (®) is located at the top right of the number "8".

**DS18<sup>®</sup>**