

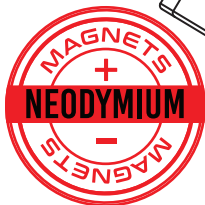
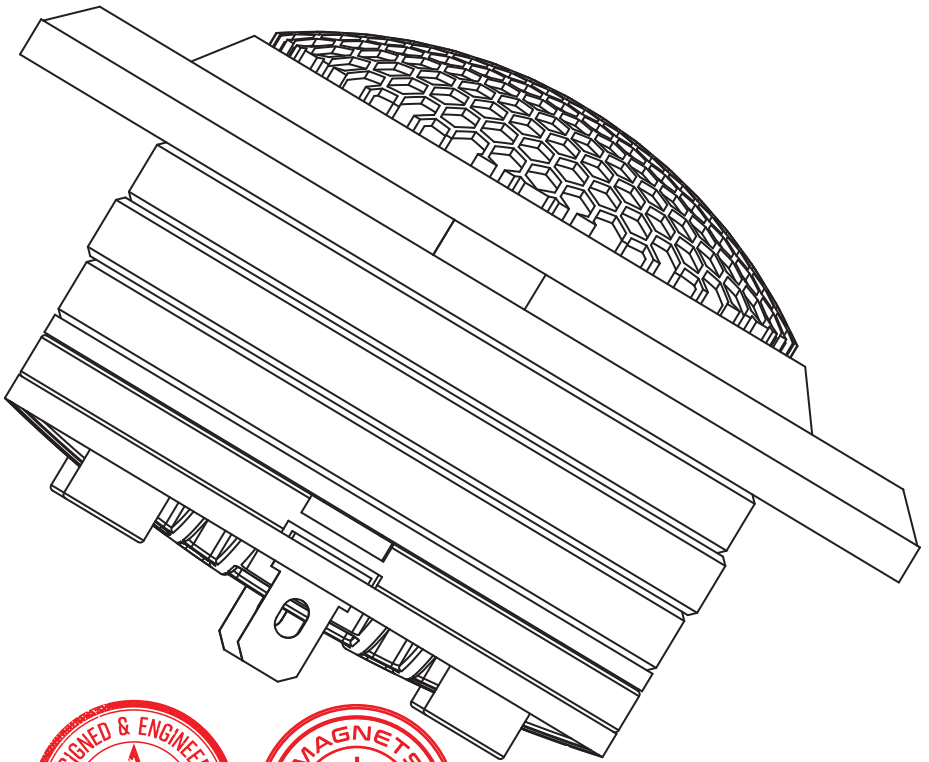


# DS18<sup>®</sup>

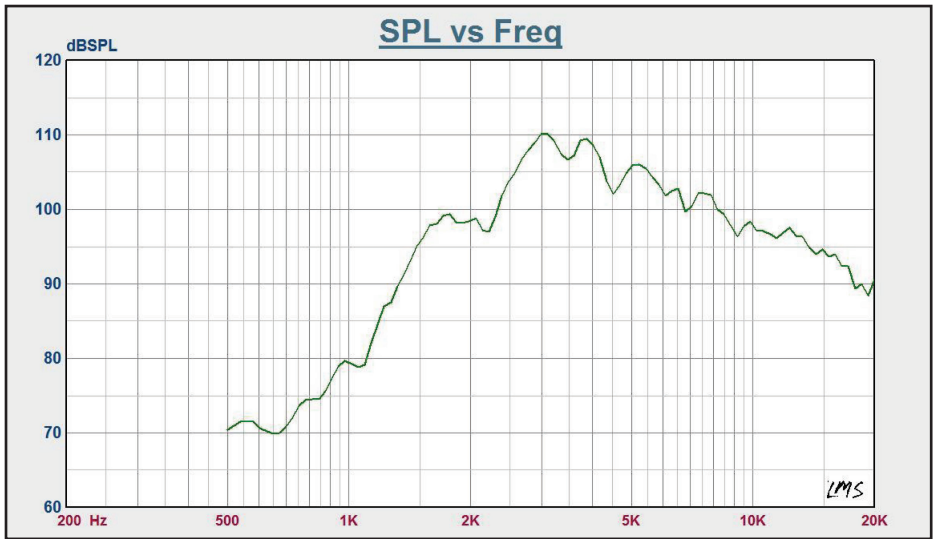
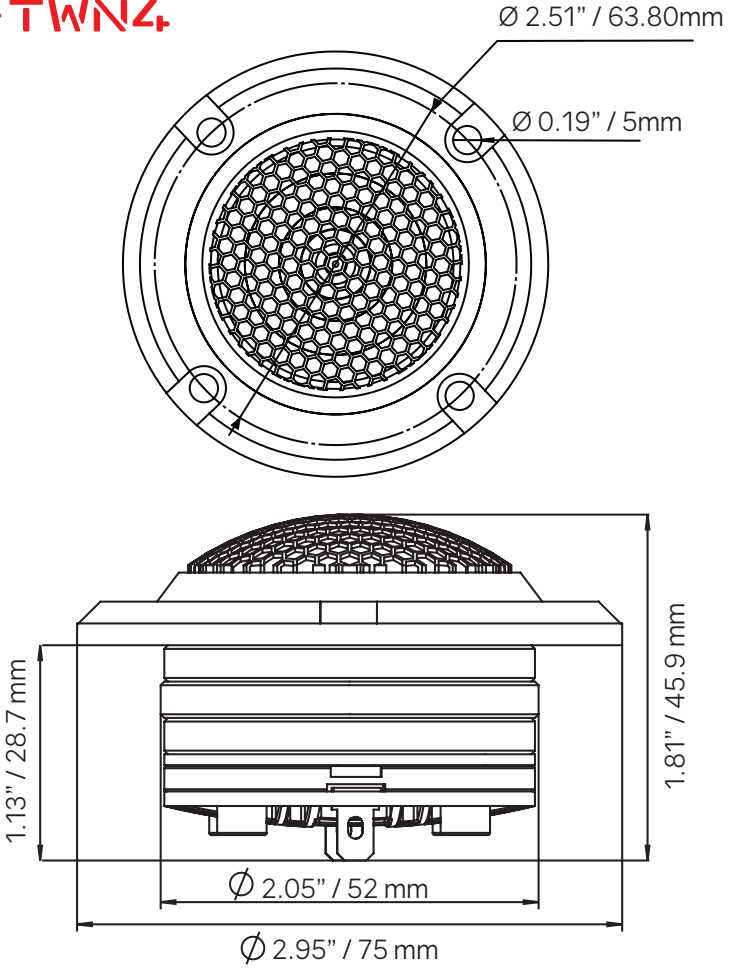
PRO

## OWNER'S MANUAL PRO-TWN4

1" VC PEN HIGH COMPRESSION  
NEODYMIUM HYBRID DRIVER/TWEETER



# PRO-TWN4





**SPECIFICATIONS:**

Nominal Diameter .....	2.95"
Nominal Impedance .....	4 ohms
Peak Power Handling .....	280 Watts
Program Power Handling .....	140 Watts
AES Power Handling .....	70 Watts
Sensitivity (1W/1W) .....	105dB
Frequency Response .....	1.5KHz-20KHz
Recommended Hi Pass Crossover .....	2KHz

**MOTOR**

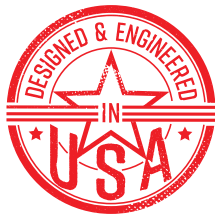
Voice Coil Diameter .....	1" / 25.4mm
Voice Coil Former Material .....	KSV
Winding Material .....	CCAR
Diaphragm Material .....	PEN
Magnet Material .....	Neodymium
Magnet Size .....	2" x 0.2"
Body Material .....	CNC Aluminum
Bullet Material .....	Aluminum

**MEASUREMENT**

Overall Diameter .....	2.95" / 75mm
Overall Depth .....	1.81" / 45.9mm
Front Mount Baffle Cutout .....	2.05" / 52mm
Mounting Depth .....	1.13" / 28.7mm

PRO-TWIN<sup>+</sup>

PRO-TWIN<sup>+</sup>



FOR MORE INFORMATION  
PLEASE VISIT  
[DS18.COM](http://DS18.COM)

*WE LIKE IT LOUD*



**DS18**<sup>®</sup>  
PRO

The logo for DS18 PRO, featuring the brand name in a bold, stylized font with a registered trademark symbol, and the word "PRO" in a smaller font below it. The logo is positioned in the bottom right corner of the page, above a thick red horizontal bar that spans the width of the page.