

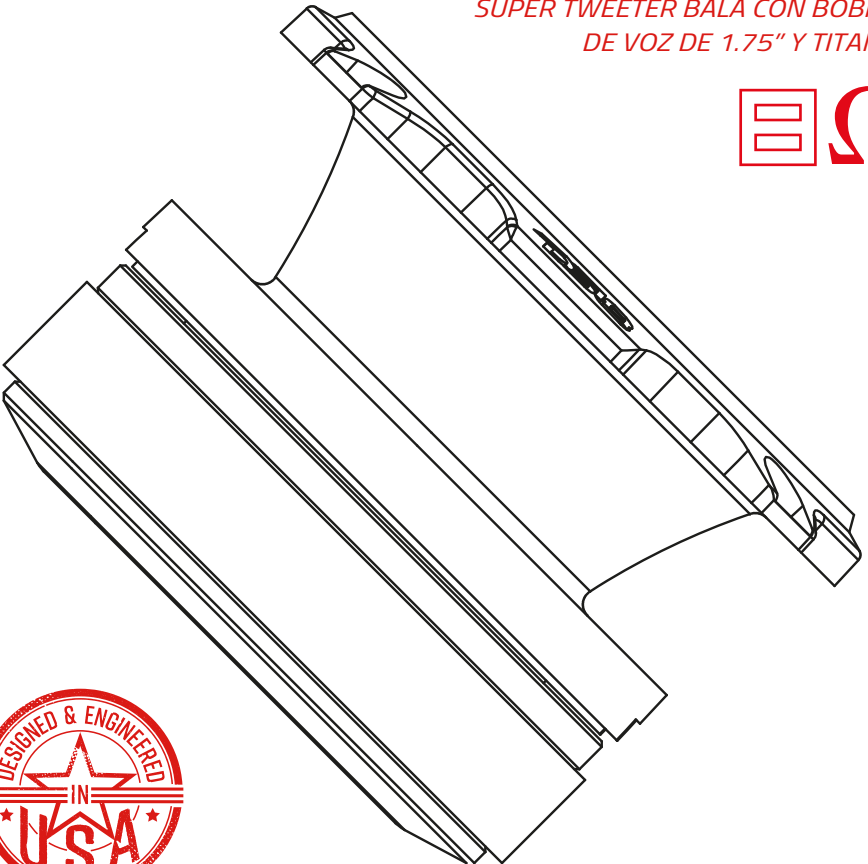
The DS18 logo is rendered in a bold, red, stylized font. The 'D' and 'S' are connected, and the '18' is separate. A registered trademark symbol (®) is located at the top right of the '8'.

OWNER'S MANUAL
MANUAL DEL USUARIO

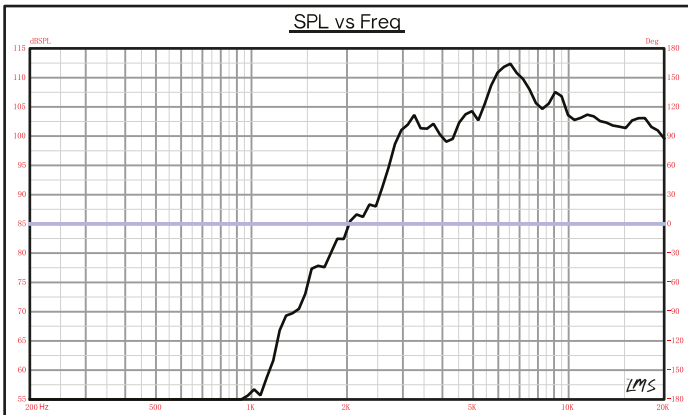
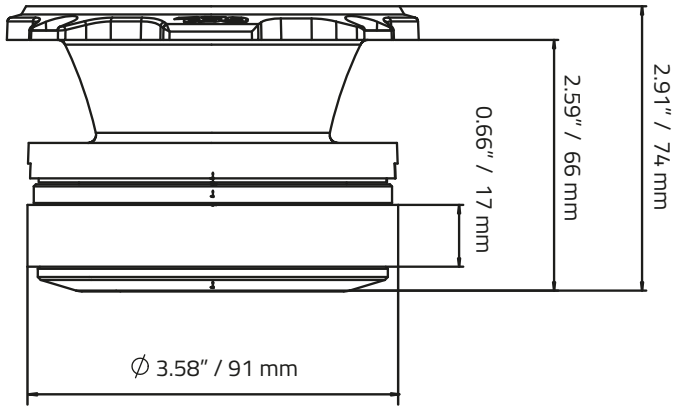
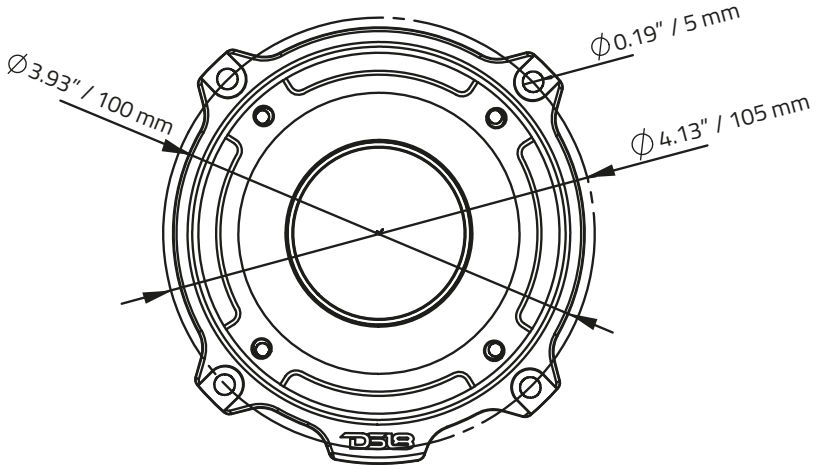
PRO-TW420.8

**TITANIUM 1.75" VC SUPER
BULLET TWEETER**

*SUPER TWEETER BALA CON BOBINA
DE VOZ DE 1.75" Y TITANIO*



PRO-TW420.8





SPECIFICATIONS / ESPECIFICACIONES:

Nominal Diameter / Diámetro Nominal.....	4"
Nominal Impedance / Impedancia Nominal.....	8 OHMS
AES Power Handling / Manejo de Potencia AES.....	140W
Program Power Handling / Manejo de Potencia del Programa.....	280W
Peak Power Handling / Manejo de Potencia Máxima.....	560W
Sensitivity (1w/1m) / Sensibilidad (1w/1m).....	109dB
Frequency Response / Respuesta de Frecuencia.....	1.5Khz-20 KHz
Recommended Hi Pass Crossover / Corte Paso Alto Recomendado.....	2 KHz

MOTOR / MOTOR:

Voice Coil Diameter / Diámetro de la Bobina de Voz.....	1.75"/44 mm
Winding Material/ Material de Bobinado.....	CCAR
Diaphragm Material / Material del Diafragma.....	Titanium / Titanio
Frame Material / Material del Marco.....	Aluminum / Aluminio
Magnet Material / Material de Imán.....	Ferrite / Ferrite
Magnet Weigth / Peso del Imán.....	16 Oz

MEASUREMENTS / MEDIDAS:

Overall Width / Ancho Total.....	3.93" / 100 mm
Overall Depth / Profundidad Total.....	2.91" / 74 mm
Cutout Diameter / Diametro de Corte.....	3.58" / 91 mm
Mounting Depth / Profundidad de Montaje.....	2.59" / 66 mm

WE LIKE IT LOUD



FOR MORE INFORMATION
PLEASE VISIT
DS18.COM

WE LIKE IT LOUD



DS18[®]