



DS18[®]

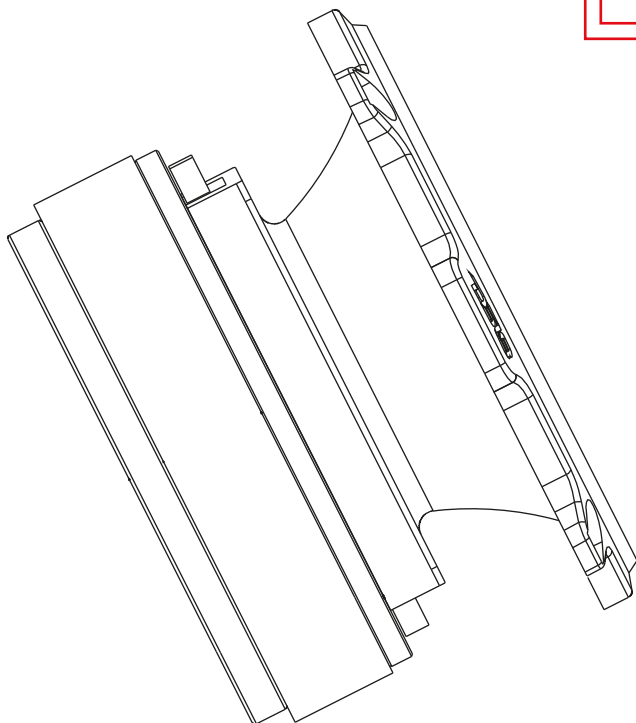
OWNER'S MANUAL
MANUAL DE USUARIO

PRO-TW320

**4" SUPER BULLET TWEETER WITH
1.5" ALUMINUM VOICE COIL**

**SUPER TWEETER BALA DE 4" CON
BOBINA DE VOZ DE 1.5" Y ALUMINIO**

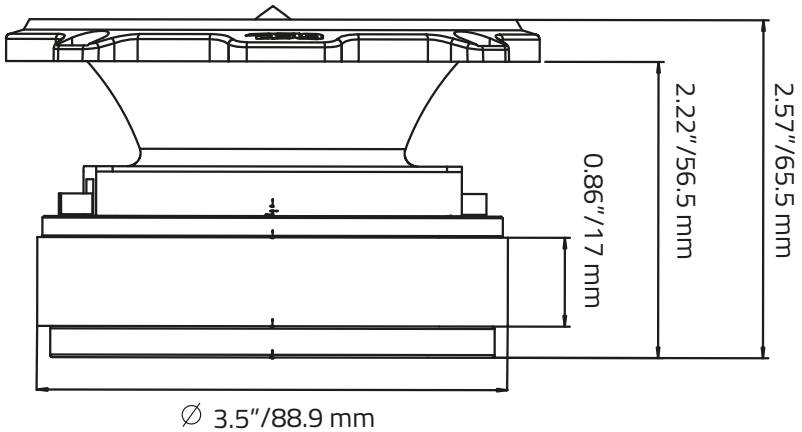
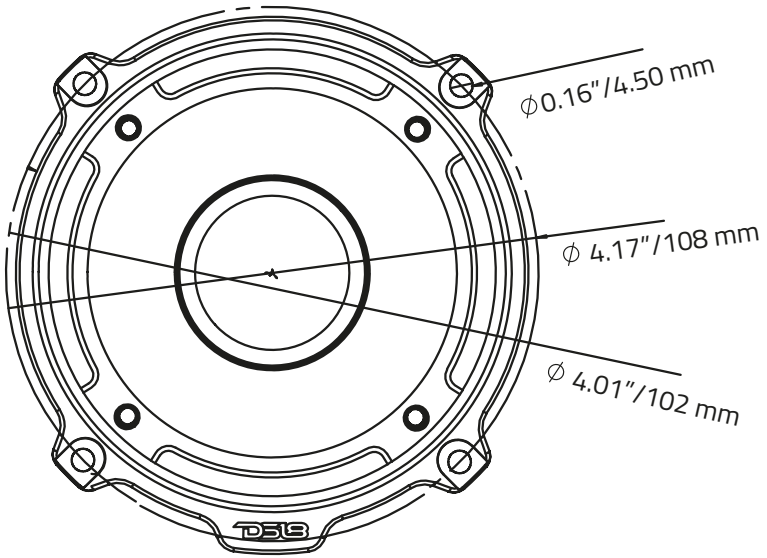
4Ω



ENGLISH | ESPAÑOL



PRO-TW320





SPECIFICATIONS / ESPECIFICACIONES

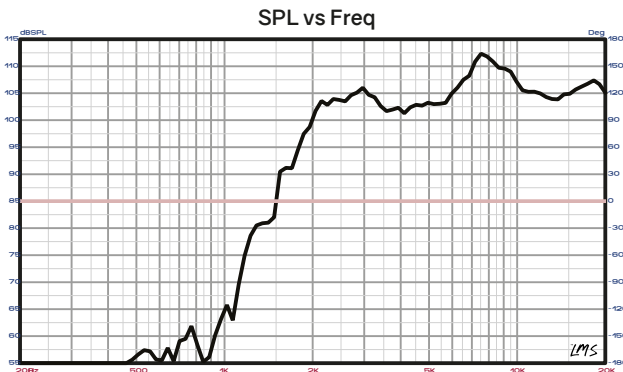
Nominal Diameter / Diámetro Nominal.....	4" / 102mm
Nominal Impedance / Impedancia Nominal	4ohms
AES Power Handling / Manejo de Potencia AES.....	120W
Program Power Handling / Manejo de Potencia del Programa	240W
Peak Power Handling / Manejo de Potencia Máxima	480W
Sensitivity (1w/1m) / Sensibilidad (1w / 1m)	107db
Frequency Response / Respuesta de Frecuencia.....	1.6K-20KHz
Recommended Hi Pass Crossover / Corte Paso Alto Recomendado	2KHz

MOTOR / MOTOR

Voice Coil Diameter / Diámetro de la Bobina de Voz.....	1.5" / 38mm
Voice Coil Former Material / Material Interior de Bobina Voz	Kapton
Winding Material / Material de Bobinado	CCAR
Diaphragm Material / Material del Diafragma	Aluminum / Aluminio
Magnet Material / Material del Imán	Ferrite / Ferrita
Magnet Weight / Peso del Imán	14.3oz
Body Material / Material del Cuerpo	Aluminum / Aluminio
Body Color / Color de Carcasa.....	Sandblasted Black / Negro Arenado
Bullet Material / Material de la Bala.....	Aluminum / Aluminio

MEASUREMENT / MEDIDAS

Overall Diameter / Diámetro Total	4.01" / 102 mm
Overall Depth / Profundidad Total	2.57" / 65.5 mm
Front Mount Baffle Cutout / Corte del Orificio de Montaje.....	3.54" / 90 mm
Mounting Depth / Profundidad de Montaje	2.22" / 56.5 mm





FOR MORE INFORMATION
PLEASE VISIT
DS18.COM

WE LIKE IT LOUD

The DS18 logo is positioned at the bottom right of the page. It consists of a stylized red graphic element on the left, resembling a lightning bolt or a speed line, followed by the text "DS18" in a bold, italicized, sans-serif font. A registered trademark symbol (®) is located at the top right of the "8".

DS18[®]