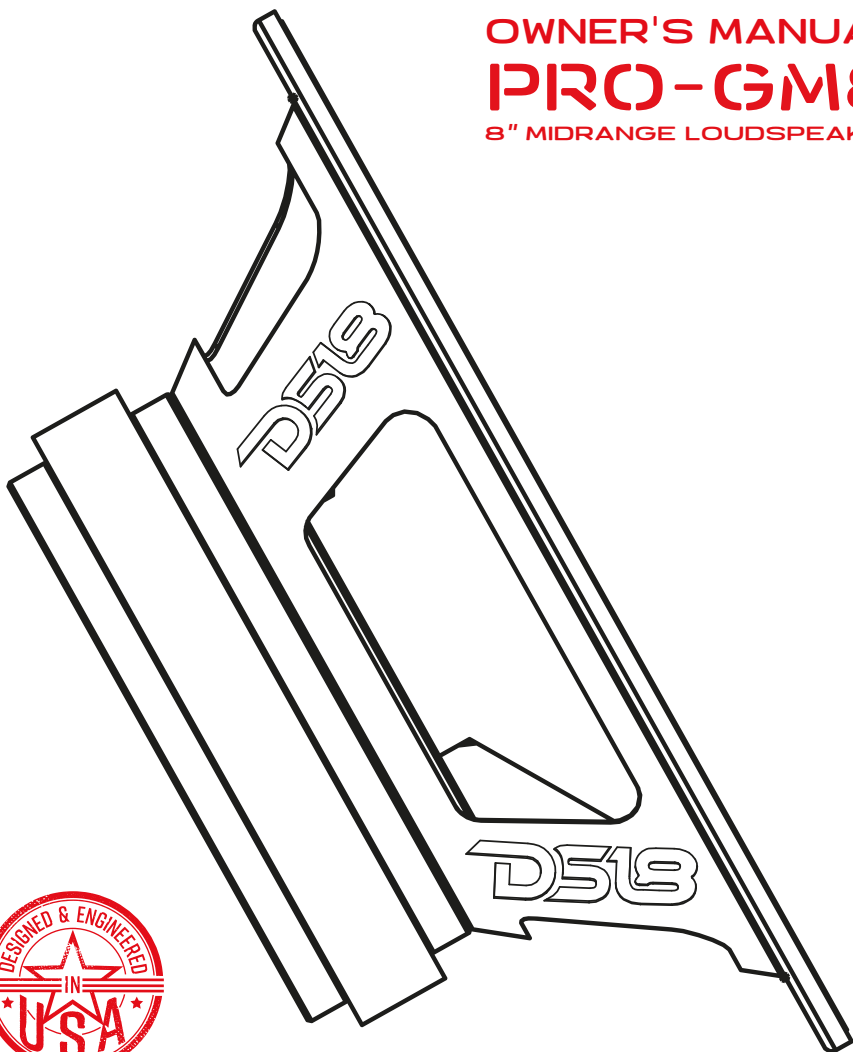
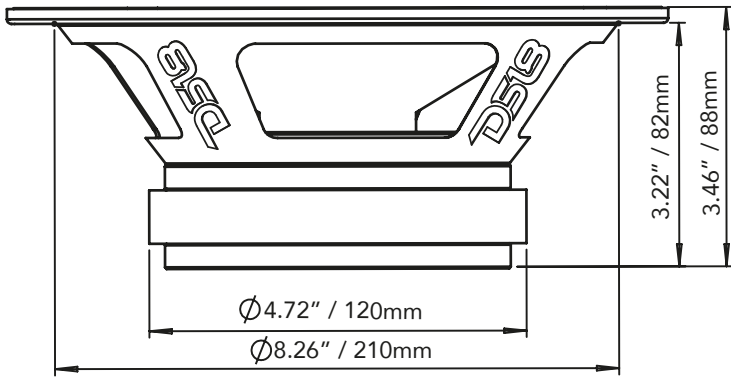
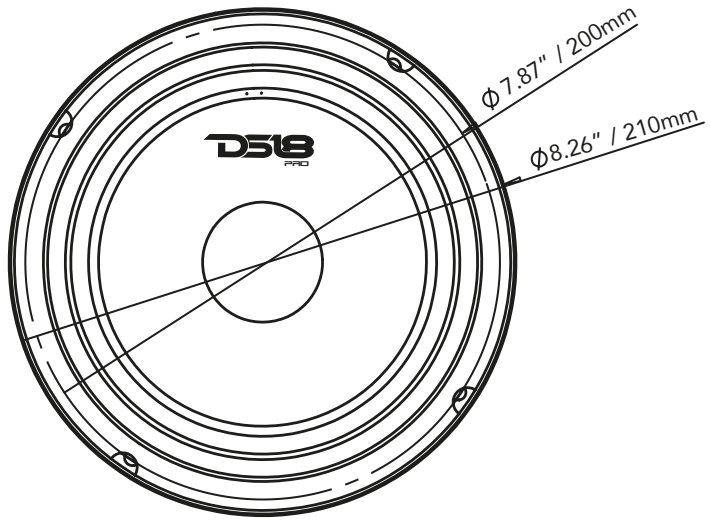


**DS18**<sup>®</sup>  
**PRO**

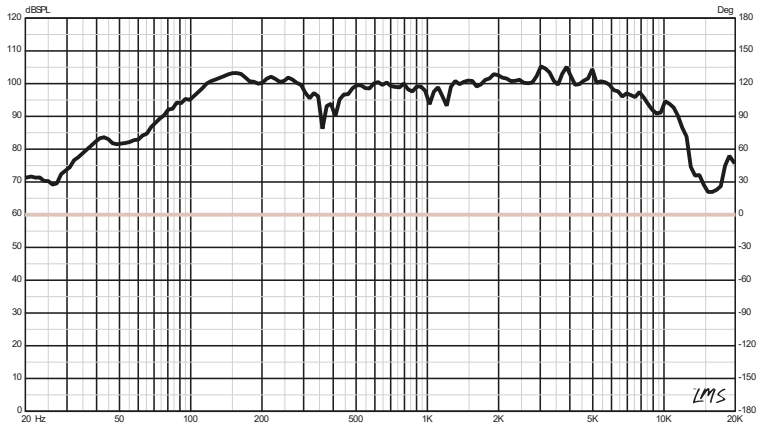
**OWNER'S MANUAL**  
**PRO-GM8**  
8" MIDRANGE LOUDSPEAKER



# PRO-GM8



## SPL vs. FREQ





### Specifications:

Nominal Diameter .....	8"
Nominal Impedance .....	8 OHM
RMS Power Handling.....	190W
Maximum Power Handling .....	580W
Sensitivity (1w/1m) .....	93dB
Frequency Response .....	90Hz-10KHz
Recommended Hi Pass Crossover.....	120Hz

### Midrange:

Voice Coil Diameter.....	1.5"
Voice Coil Former Material .....	Kapton
Winding Material .....	KCCAW
Cone Material.....	Paper
Surround Material.....	Cloth
Basket Material.....	Steel
Magnet Material.....	Ferrite
Magnet Weight.....	30 oz

### Thiele & Small Parameters:

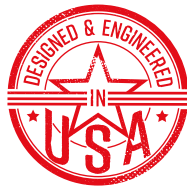
Equivalent Volume	Vas.....	11.078L
Free Air Resonance	Fs.....	100 Hz
Mechanical Factor	Qms .....	8.648
Electrical Factor	Qes.....	0.983
Total Factor	Qts.....	0.883
CD Resistance	Re.....	6.5 ohm

### Measurements:

Overall Diameter.....	8.26"/ 210 mm
Overall Depth.....	3.46"/ 88 mm
Front Mount Baffle Cutout.....	7.2"/183 mm
Mouting Depth.....	3.22"/ 82mm
Motor Diameter.....	4.72"/120mm

PRO-GMB

WE LIKE IT LOUD



FOR MORE INFORMATION  
PLEASE VISIT  
[DS18.COM](http://DS18.COM)

*WE LIKE IT LOUD*

The DS18 logo, featuring the letters "DS18" in a bold, italicized, sans-serif font. A registered trademark symbol (®) is located to the upper right of the "8".

**DS18<sup>®</sup>**