

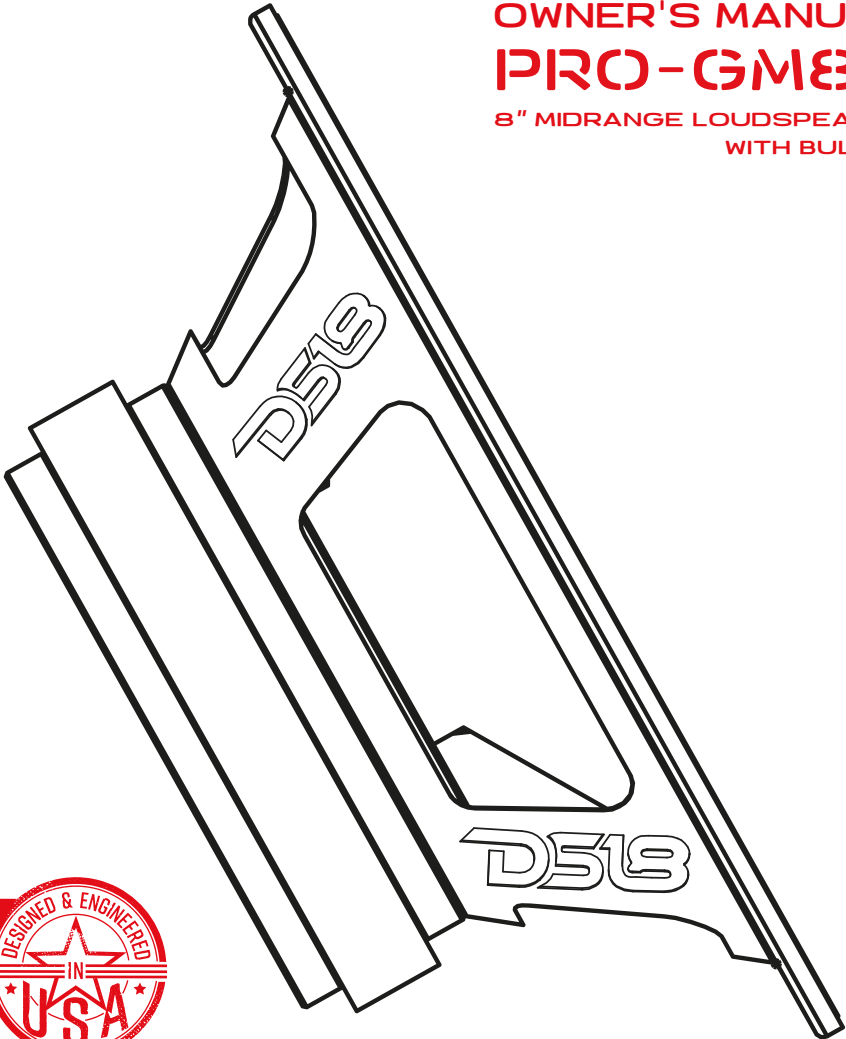


# DS18<sup>®</sup>

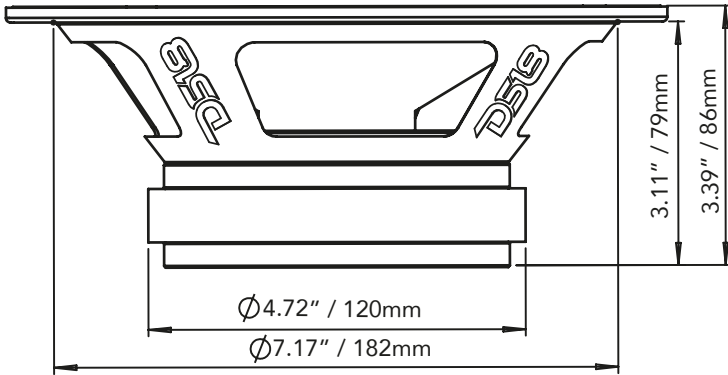
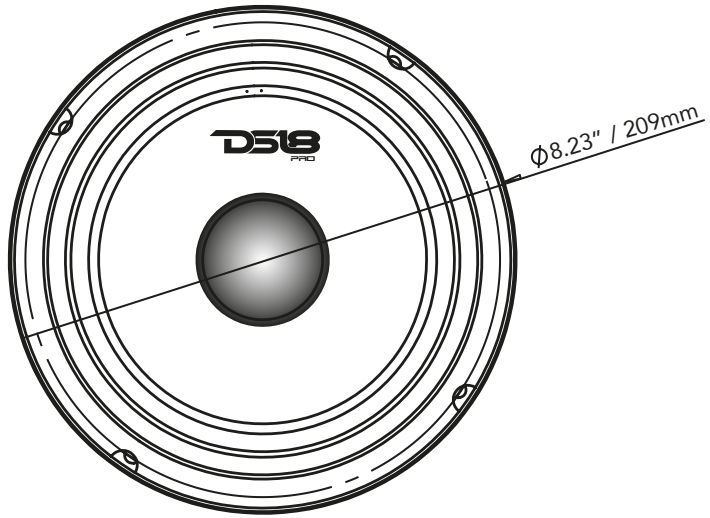
PRO

## OWNER'S MANUAL PRO-GM813

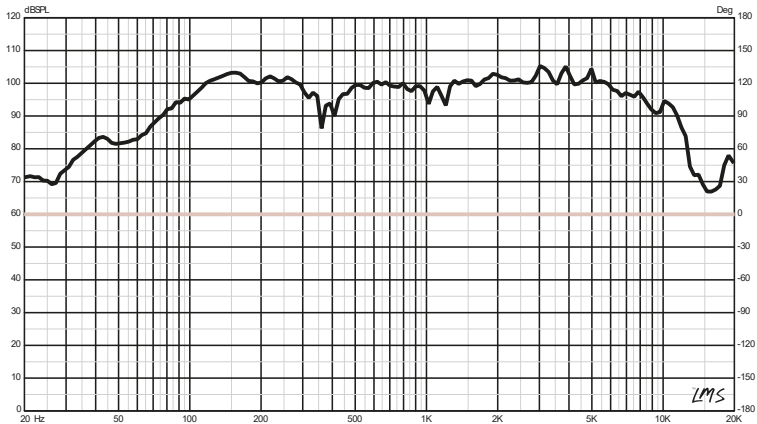
8" MIDRANGE LOUDSPEAKER  
WITH BULLET



# PRO-GM8B



## SPL vs. FREQ





### Specifications:

Nominal Diameter .....	8"
Nominal Impedance .....	8 OHM
RMS Power Handling.....	190W
Maximum Power Handling.....	580W
Sensitivity (1w/1m) .....	95dB
Frequency Response .....	125-12KHz
Recommended Hi Pass Crossover.....	140Hz

### Midrange:

Voice Coil Diameter.....	1.5"
Voice Coil Former Material .....	Kapton
Winding Material .....	KCCAW
Cone Material.....	Paper
Bullet Material.....	Aluminum
Surround Material.....	Cloth
Basket Material.....	Steel
Magnet Material.....	Ferrite
Magnet Weight.....	30 oz

### Thiele & Small Parameters:

Equivalent Volume	Vas.....	16.23L
Free Air Resonance	Fs.....	89 Hz
Mechanical Factor	Qms .....	9.26
Electrical Factor	Qes.....	0.791
Total Factor	Qts.....	0.728
CD Resistance	Re.....	6.5 ohm

### Measurements:

Overall Diameter.....	8.23"/209mm
Overall Depth.....	3.39"/86mm
Front Mount Baffle Cutout.....	7.17"/182mm
Mouting Depth.....	3.11"/79mm
Motor Diameter.....	4.72"/120mm

PRO-GMBB



FOR MORE INFORMATION  
PLEASE VISIT  
[DS18.COM](http://DS18.COM)

*WE LIKE IT LOUD*



**DS18<sup>®</sup>**