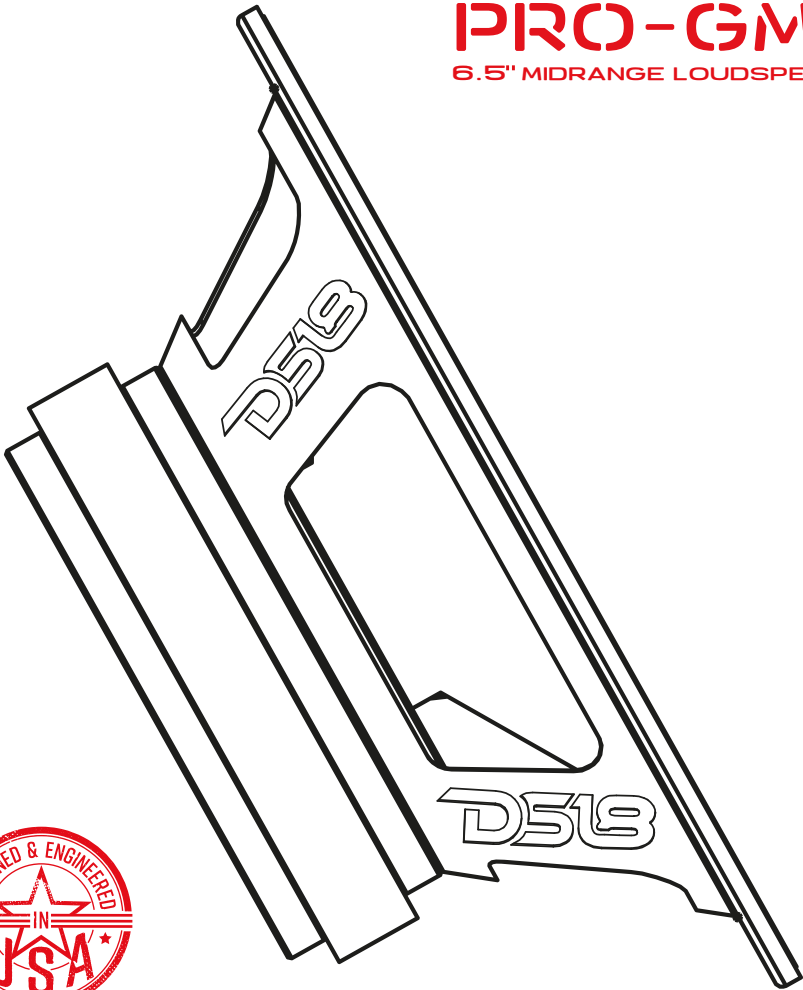




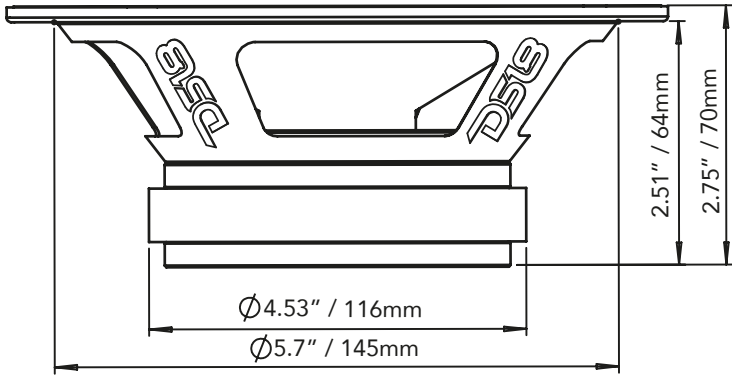
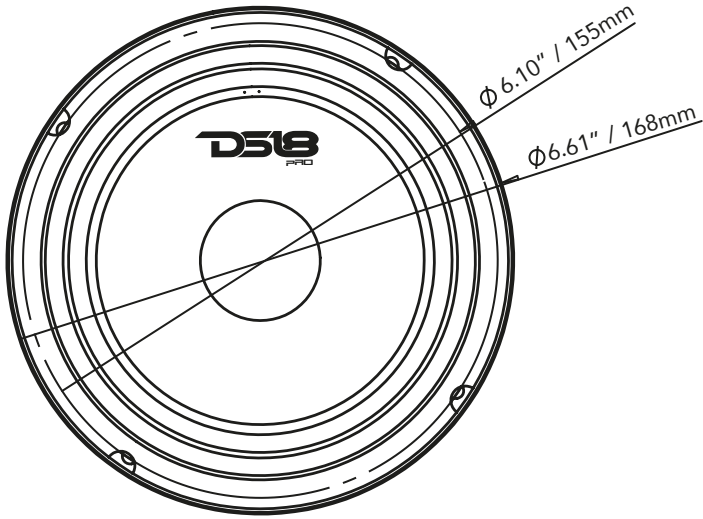
# D518<sup>®</sup>

PRO

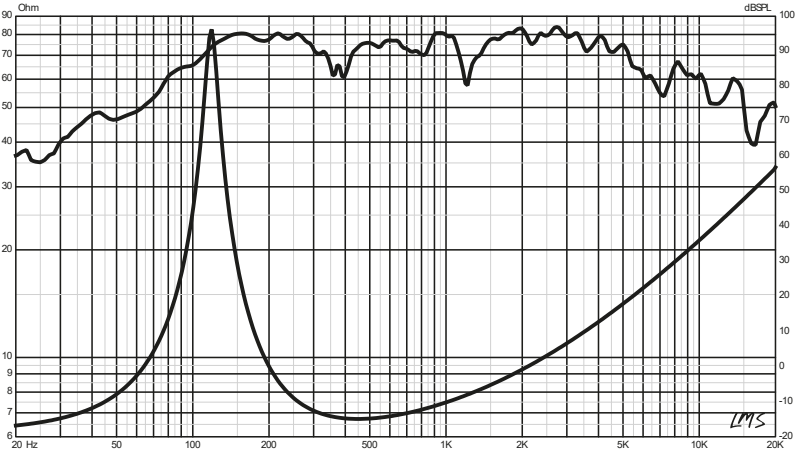
OWNER'S MANUAL  
**PRO-GM6**  
6.5" MIDRANGE LOUDSPEAKER



# PRO-GM6



## SPL vs. FREQ





**Specifications:**

Nominal Diameter .....	6.5"
Nominal Impedance .....	8 OHM
RMS Power Handling.....	140W
Maximum Power Handling .....	480W
Sensitivity (1w/1m) .....	92dB
Frequency Response .....	100Hz-8KHz
Recommended Hi Pass Crossover.....	120Hz

**Midrange:**

Voice Coil Diameter.....	1.5"
Voice Coil Former Material .....	Kapton
Winding Material .....	KCCAW
Cone Material.....	Paper
Surround Material.....	Cloth
Basket Material.....	Steel
Magnet Material.....	Ferrite
Magnet Weight.....	23 oz

**Thiele & Small Parameters:**

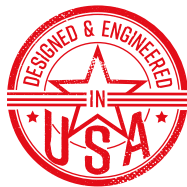
Equivalent Volume	Vas.....	5.280L
Free Air Resonance	Fs.....	118 Hz
Mechanical Factor	Qms.....	9.523
Electrical Factor	Qes.....	0.772
Total Factor	Qts.....	0.714
CD Resistance	Re.....	6.2 ohm

**Measurements:**

Overall Diameter.....	6.61"/168 mm
Overall Depth.....	2.75"/70 mm
Front Mount Baffle Cutout.....	5.7"/145 mm
Mouting Depth.....	2.5"/64mm
Motor Diameter.....	4.53"/116mm

**PRO-GMG**

**WE LIKE IT LOUD**



FOR MORE INFORMATION  
PLEASE VISIT  
[DS18.COM](http://DS18.COM)

*WE LIKE IT LOUD*

The DS18 logo, featuring the letters "DS18" in a bold, italicized, sans-serif font. A registered trademark symbol (®) is located to the upper right of the "8".

**DS18<sup>®</sup>**